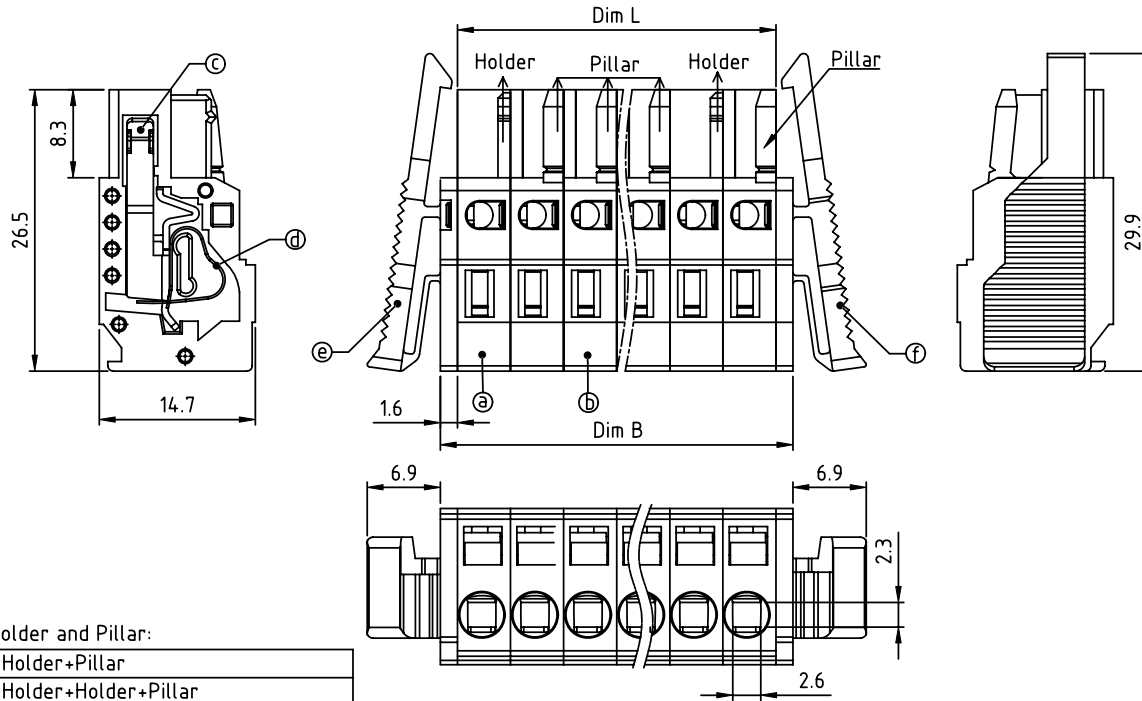
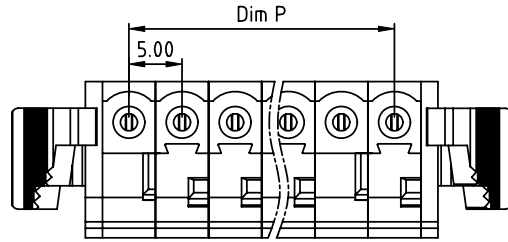


PRODUCT NUMBER	PITCH
Hlxx01x300J0G	5.00 mm



Layout of Holder and Pillar:

2P	Holder+Pillar
3P	Holder+Holder+Pillar
4P	Holder+Pillar+Holder+Pillar
5P	Holder+Pillar+Pillar+Holder+Pillar
5P over	Holder+Pillar+...+Pillar+Holder+Pillar

DIMENSION

Dim L=N×5.0
Dim P=(N-1)×5.0
Dim B=N×5.0+3.2

N=Number of poles

Poles	Tolerance
2P	±0.10
3P-6P	±0.15
7P-12P	±0.20
13P-18P	±0.30
19P-24P	±0.40

PART NO.: HI xx 01 x 3 00J0 G

	End stackable	No. of poles	Color	RoHS compliant
0	0	2	Black (RAL9005)	(lead<4%) In copper Alloy
02	2 poles	3	Red (RAL3001/D)	
03	3 poles	4	Orange(RAL2011/P)	
...	...	5	Yellow(RAL1018/A)	
24	24 poles	6	Green(RAL6018/T)	
		8	Blue (RAL5015/A)	
		9	Grey(RAL7035/D)	
		9	White(RAL1102)	
		C	Green(RAL6018/U)	

Material:

- Itemⓐ Terminal body(With holder): Thermoplastic (UL94V-0)
- Itemⓑ Terminal body(With pillar): Thermoplastic (UL94V-0)
- Itemⓒ Female contact: PhBz. Tin plated
- Itemⓓ Spring Clamp: Stainless steel
- Itemⓔ Left cover with latch: Thermoplastic (UL94V-0)
- Itemⓕ Right cover with latch: Thermoplastic (UL94V-0)

Electrical:

- Voltage rating: 300 V
- Current rating: 8 A (mated with NC and NB series)
- Wire range:
- Solid wire(AWG): 12-28
- Stranded wire(AWG): 12-28
- Wire strip length: 8-9 mm
- Withstanding Voltage: 1.6KV
- Operating temperature: -40°C to +115°C

mat'l. code		surface ASME Y14.5	tolerance ASME Y14.5	projection	product family TERMINAL BLOCK
ltr	ecn no	dr	date	tolerances unless otherwise specified	title
				angles X±1°	TERMINAL BLOCK SPRING CLAMP, PLUGGABLE PLUG, WITH LATCH, 100% PROTECTED AGAINST MISMATING
				scale	MM
dr	EVIN ZHONG	051414			dwg no
enr	EVIN ZHONG	051414			sheet 1 of 1
chr	HANKE FENG	051414			size
appd	SHI JUN	051414			A4
sheet index	revision	A			Hlxx01x300J0G
	sheet	1			type
					CUSTOMER Drawing