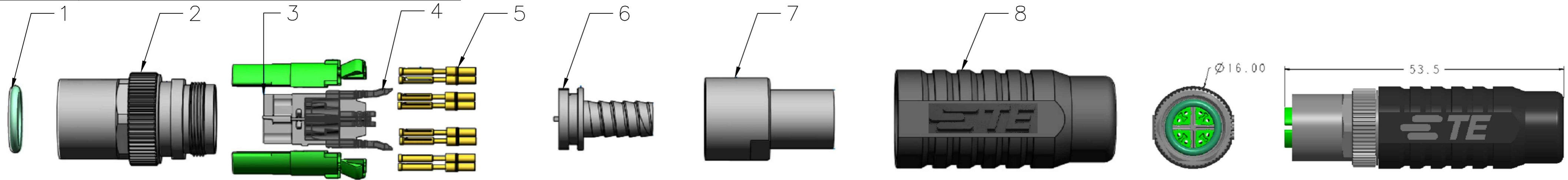


THIS DRAWING IS UNPUBLISHED.		RELEASED FOR PUBLICATION	
© COPYRIGHT - By -		ALL RIGHTS RESERVED.	
PROJECT	PRJ-14-00004825		
PART NO.	X-2315715-X		
DESCRIPTION	M12 X-CODED F-8 CRIMP CABLE FEMALE CONNECTOR		
CUSTOMER	GENERAL MARKET		

REVISIONS				
P	LTR	DESCRIPTION	DATE	APVD
A2		ECR-17-007049	15MAY2017	KK SE



EXPLODED VIEW

CODE	TE FG PN'S	TE Description	CABLE REFERENCE	AWG	HAND TOOL (TE PN'S) (COMPACT)	RECOMMENDED POSITIONER (TE PN'S) (COMPACT)	CRIMP TOOL TE PN FOR CRIMP FLANGE/SLEEVE	CRIMP INSERT TE PN'S	CABLE JACKET STRIPPING TOOL TE PN	ASSEMBLY TOOL HANDLE FOR CRIMP FLANGE TE PN'S	UNIVERSAL INSERT TE PN (ALL M12 CODES)	ASSEMBLY TOOL FRONT HOUSING AND BACK NUT TE PN
X code	1-2315715-1	M12 X-CODE F-8 CONNECTOR RADOX 8.1MM, H&S	H&S Radox Cat7 #84124806	24 AWG	TE PN : 601966-1	2-2823582-1	1-2823557-1	1-2823558-6	1-2823559-1	1-2823560-1	1-2823561-1	1-2823564-1
X code	1-2315715-2	M12 X-CODE F-8 CONNECTOR 8.4mm, TE	TE Cat 7 #2297799-1	24 AWG	TE PN : 601966-1	2-2823582-1	1-2823557-1	1-2823558-6	1-2823559-1	1-2823560-1	1-2823561-1	1-2823564-1
X code	1-2315715-3	M12 X-CODE F-8 CONNECTOR 8.8MM, LEONI	Leoni Cat 7 #307704	24 AWG	TE PN : 601966-1	2-2823582-1	1-2823557-1	1-2823558-6	1-2823559-1	1-2823560-1	1-2823561-1	1-2823564-1



ISO VIEW
M12 X-8 FEMALE CONNECTOR

NOTES:

- ALL DIMENSIONS ARE FOR NOMINAL REFERENCE ONLY.
- PACKAGING: 1 PIECE IN A BOX.
- THE CONNECTOR IS AS PER IEC 61076-2-109.
- TEMPERATURE RANGE: WITH CABLE BOOT -40°C TO 70°C.
WITHOUT CABLE BOOT -40°C TO 85°C.
- VIBRATION & SHOCK TEST CONDUCTED AS PER IEC 61373:1999.
- FIRE PERFORMANCE CONDUCTED AS PER EN45545-2, NFF16-101 AND NFF16-102.
- THE THREAD OF THE MATING INTERLACE WITH THE COUNTERPART IS M12x1 ACCORDING TO IEC 61076-2-101.
- RECOMMENDED CRIMP INSERT & CRIMP SLEEVE: SHOULD BE VALIDATED ON CABLE USED.
- SPECIAL CRIMP FLANGE SYSTEM WITH CRIMP INSERT AND CRIMP SLEEVE SECURES THE EFFECTIVE SHIELDING OVER THE LIFETIME WITH EXTREMELY HARD CONDITIONS.
- VIBRATION AND TORSION-PROOF CABLE STRAIN RELIEF FOR ROUGH ENVIRONMENT ACHIEVED BY HEXAGONAL CRIMP OF THE CRIMP SLEEVE OF THE CRIMP FLANGE SYSTEM.
- DEGREE OF PROTECTION: IP 67 (ONLY SCREW-LOCKED).
- DATA TRANSMISSION RATE: UP TO 10Gbit/SEC ACC. TO IEC 802.3an CATEGORY 6A.
- CURRENT RATING: 0.5 A, NOMINAL VOLTAGE: 48V, CONTACT RESISTANCE: ≤ 5 MΩ, INSULATION RESISTANCE: ≥ 100 MΩ.

8	1	GRIP BOOT	TPE WITH S3 & SR2 (DIN 5510-2)
7	1	BACK NUT & SLEEVE	Cu ALLOY Ni-PLATED
6	1	CRIMP INSERT	Cu ALLOY Ni-PLATED
5	8	CRIMP CONTACTS MACHINED	Cu ALLOY Ni-Au PLATED
4	4	CONTACT HOLDER (REAR)	THERMOPLAST
3	1	CONTACT HOLDER (FRONT)	THERMOPLAST
2	1	FRONT HOUSING	Cu ALLOY Ni-PLATED
1	1	O-RING SEAL	ELASTOMER
SL. NO.	QTY	DESCRIPTION	MATERIAL

THIS DRAWING IS A CONTROLLED DOCUMENT.		DWN KIRAN K 18JAN2017	TE Connectivity	
DIMENSIONS: mm		CHK KIRAN K 18JAN2017	M12 X-CODED F-8 CRIMP CABLE FEMALE CONNECTOR	
TOLERANCES UNLESS OTHERWISE SPECIFIED: DIN ISO 2768 m		APVD S EGBERT 18JAN2017	NAME	
0 PLC ± - 1 PLC ± - 2 PLC ± - 3 PLC ± - 4 PLC ± - ANGLES ± -		PRODUCT SPEC 108-156001	SIZE A2	
MATERIAL		APPLICATION SPEC 114-156002	CAGE CODE 00779	DRAWING NO C=2315715
FINISH		WEIGHT	RESTRICTED TO	REV A2
CUSTOMER DRAWING			SCALE NTS	SHEET 1 OF 1