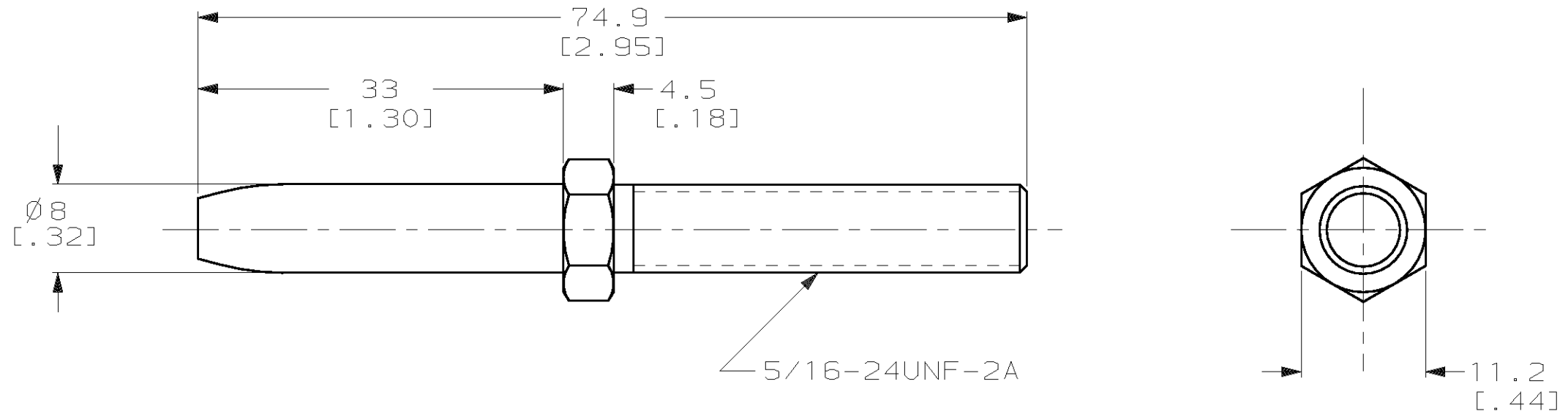


THIS DRAWING IS UNPUBLISHED. RELEASED FOR PUBLICATION, 19

© COPYRIGHT 19 BY AMP INCORPORATED. ALL INTERNATIONAL RIGHTS RESERVED.

LOC	DIST	P	F	ZONE	LTR	DESCRIPTION	DATE	APPD
CH	11				A	0B20-0220-98	11/FEB/98	RNP

1. ALL DIMENSIONS ARE REFERENCE ONLY.



192293-1

PART NO

DO NOT SCALE PRINT.  
UNLESS SPECIFIED  
DIMENSIONS IN mm [INCHES]  
TOLERANCES ON:  
2 PLC DEC ± -  
1 PLC DEC ± -  
ANGLES ± -

DR D. WILSON  
02-25-92  
CHK -  
APPD -  
APPD -

**AMP**

AMP Incorporated  
Harrisburg, PA 17105-3608

MATERIAL  
BRASS

PRODUCT SPEC  
-

NAME  
PIN, 8mm

FINISH  
SILVER

APPLICATION SPEC  
-

SIZE	CAGE CODE	DRAWING NO
B	00779	192293

WEIGHT -

SCALE	SHEET
	1 OF 1