

## PCV 6-16/ 2-G1-10,16

Order No.: 1998784

The figure shows a 5-pos. version of the product

<http://eshop.phoenixcontact.de/phoenix/treeViewClick.do?UID=1998784>

Header, Nominal current: 76 A, Nom. voltage: 1000 V, Pitch: 10.16 mm, Number of positions: 2, Color: green, Assembly: Soldering

### Commercial data

|                          |                    |
|--------------------------|--------------------|
| EAN                      | 4046356038287      |
| Pack                     | 50 pcs.            |
| Customs tariff           | 85366990           |
| Weight/Piece             | 0.009485 KG        |
| Catalog page information | Page 422 (CC-2009) |

### Product notes

WEEE/RoHS-compliant since:  
05/18/2004

<http://www.download.phoenixcontact.com>  
Please note that the data given here has been taken from the online catalog. For comprehensive information and data, please refer to the user documentation. The General Terms and Conditions of Use apply to Internet downloads.

### Technical data

#### Dimensions / positions

|                     |          |
|---------------------|----------|
| Length              | 13.4 mm  |
| Height              | 34 mm    |
| Pitch               | 10.16 mm |
| Dimension a         | 10.16 mm |
| Number of positions | 2        |

|                |            |
|----------------|------------|
| Pin dimensions | 1 x 1.2 mm |
| Pin spacing    | 10.16 mm   |
| Hole diameter  | 1.7 mm     |

**Technical data**

|                                    |   |
|------------------------------------|---|
| Insulating material group          | I   |
| Rated surge voltage (III/3)        | 6 kV                                      |
| Rated surge voltage (III/2)        | 8 kV                                      |
| Rated surge voltage (II/2)         | 8 kV                                      |
| Rated voltage (III/2)              | 1000 V                                    |
| Rated voltage (II/2)               | 1000 V                                    |
| Connection in acc. with standard   | EN-VDE                                    |
| Nominal current $I_N$              | 76 A (41 A in combination with PC 6 plug) |
| Nominal voltage $U_N$              | 1000 V                                    |
| Maximum load current               | 76 A (41 A in combination with PC 6 plug) |
| Insulating material                | PA  |
| Inflammability class acc. to UL 94 | V0  |

**Certificates / Approvals**



Certification CB, CCA, CUL, SEV, UL

**CUL**

|                       |       |
|-----------------------|-------|
| Nominal voltage $U_N$ | 600 V |
| Nominal current $I_N$ | 5 A   |

**UL**

|                       |       |
|-----------------------|-------|
| Nominal voltage $U_N$ | 600 V |
| Nominal current $I_N$ | 5 A   |

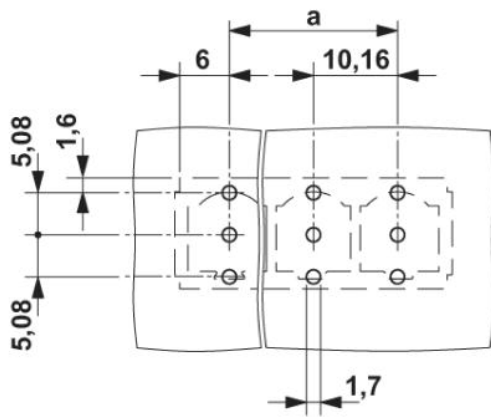
**Accessories**

| Item           | Designation  | Description   |
|----------------|--------------|---|
| <b>General</b> |              |   |
| 1970016        | CS-IPC 16/ 6 | Coding pin, serves to ensure correct polarization on the PCB during manual mounting |

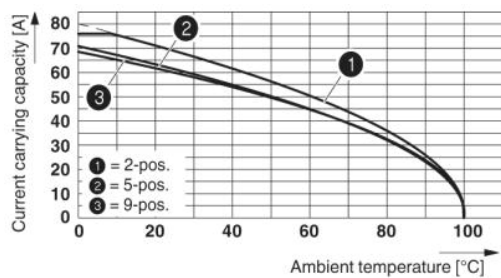
| <b>Plug/Adapter</b> |          |                            |
|---------------------|----------|----------------------------|
| 1600027             | CP-HCC 4 | Coding profile, Color: red |

**Diagrams/Drawings**

Drilling plan/solder pad geometry

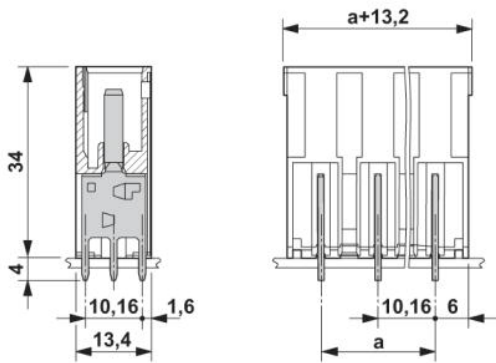


Diagram



Dimensioned drawing

---



**Address**

PHOENIX CONTACT Inc., USA  
586 Fulling Mill Road  
Middletown, PA 17057, USA  
Phone (800) 888-7388  
Fax (717) 944-1625  
<http://www.phoenixcon.com>



© 2010 Phoenix Contact  
Technical modifications reserved;