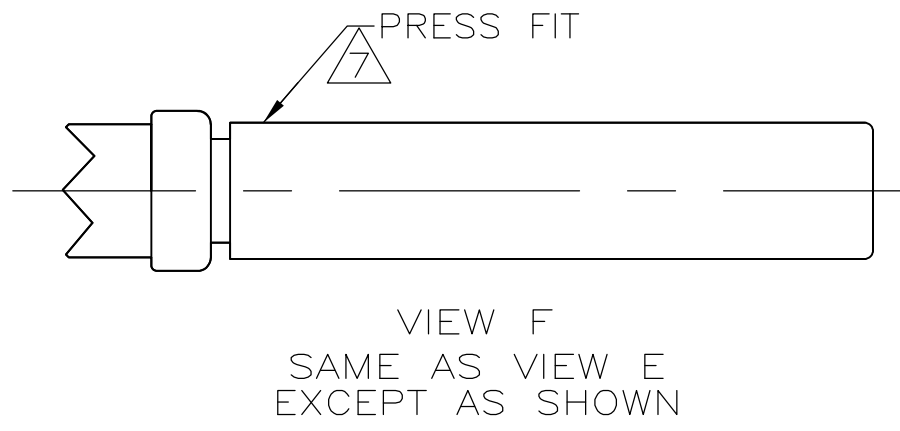
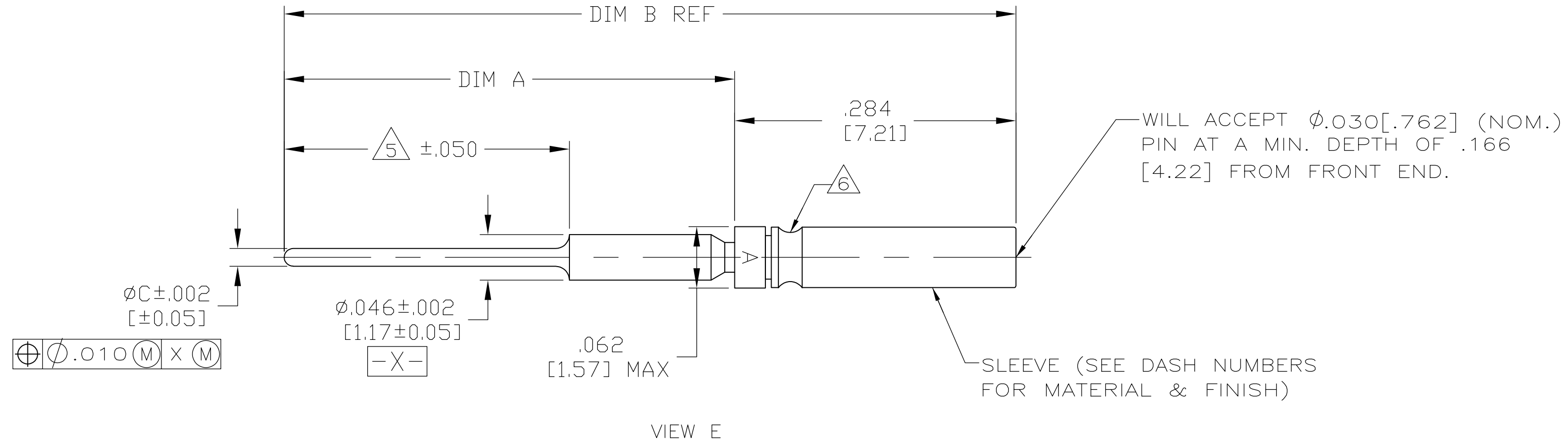


THIS DRAWING IS UNPUBLISHED. RELEASED FOR PUBLICATION  
 © COPYRIGHT - By - ALL RIGHTS RESERVED.

LOC		DIST		REVISIONS			
P	LTR	DESCRIPTION	DATE	DWN	APVD		
AA		REV PER ECO 11-011680	6-7-11	CT	RL		



- 1. INSERTION/EXTRACTION TOOL AMP P/N 91067-1.
- 2. CONTACT BODY AND HOOD FINISH:  
GOLD PLATED .000050 [0.0127] TO .000100 [0.0254] THICK PER ASTM-B-488, TYPE II, GRADE C OVER COPPER PLATE  
.000100 [0.0254] TO .000250 [0.0635] THICK PER ASM 2418.
- 3. CONTACT BODY FINISH:  
GOLD PLATED .000050 [0.0127] TO .000100 [0.0254] THICK PER ASTM-B-488, TYPE II, GRADE C OVER COPPER PLATE  
.000100 [0.0254] TO .000250 [0.0635] THICK PER ASM 2418.  
HOOD FINISH:  
PASSIVATED PER ASTM-A-380
- 4. CONTACT BODY FINISH:  
GOLD PLATED .000050 [0.0127] TO .000100 [0.0254] THICK PER ASTM-B-488, TYPE II, GRADE C OVER NICKEL PLATE  
.000050 [0.0127] TO .000100 [0.0254] THICK PER QQ-N-290,
- 5. THIS AREA IS SOLDER DIPPED. 207684-8 & 1-207684-0 ONLY.
- 6. SLEEVE MAY BE CRIMPED OR DIMPLED ONTO CONTACT BODY.
- 7. SLEEVE MAY BE PRESS FIT, CRIMPED OR DIMPLED ONTO CONTACT BODY.
- 8. CONTACTS MEET ALL APPLICABLE PERFORMANCE REQUIREMENTS OF MIL-C-39029.
- 9. CONTACT BODY MATERIAL:  
LEADED NICKEL COPPER OR COPPER ALLOY PER ASTM-B-197  
HOOD MATERIAL:  
BRASS PER ASTM-B-36 OR COPPER ALLOY PER ASTM-B-197
- 10. CONTACT BODY MATERIAL:  
LEADED NICKEL COPPER OR COPPER ALLOY PER ASTM-B-197  
HOOD MATERIAL:  
STAINLESS STEEL PER ASTM-A-240
- 11. CONTACT BODY MATERIAL:  
BERYLLIUM COPPER PER ASTM-B-197  
HOOD MATERIAL:  
STAINLESS STEEL PER ASTM-A-240
- 12. PRELIMINARY NOT RELEASED FOR PRODUCTION

REMARKS	SEE VIEW	FINISH	MATERIAL	φC	DIM B	DIM A	PART NO
6	VIEW E	2	9	.018 [0.46]	.719 [18.26]	.435 [11.05]	1-207684-2
5 6	VIEW E	2	9	.018 [0.46]	.844 [21.44]	.560 [14.22]	1-207684-0
6	VIEW E	2	9	.020 [0.51]	.949 [24.10]	.665 [16.89]	207684-9
5 6	VIEW E	2	9	.018 [0.46]	.744 [18.90]	.460 [11.68]	207684-8
7	VIEW F	3	10	.025 [0.64]	.844 [21.44]	.560 [14.22]	207684-7
7	VIEW F	4	11	.018 [0.46]	1.094 [27.79]	.810 [20.57]	207684-6
7	VIEW F	4	11	.018 [0.46]	.844 [21.44]	.560 [14.22]	207684-5
7	VIEW F	4	10	.025 [0.64]	.844 [21.44]	.560 [14.22]	207684-4
6	VIEW E	2	9	.018 [0.46]	.744 [18.90]	.460 [11.68]	207684-3
6	VIEW E	2	9	.018 [0.46]	1.094 [27.79]	.810 [20.57]	207684-2
6	VIEW E	2	9	.018 [0.46]	.844 [21.44]	.560 [14.22]	207684-1

THIS DRAWING IS A CONTROLLED DOCUMENT.

DWN	T. ALEXANDER	11-15-91
CHK	F. KINSEY	11-18-91
APVD	F. KINSEY	11-18-91

NAME: F. KINSEY

PRODUCT SPEC: -

APPLICATION SPEC: -

WEIGHT: -

CUSTOMER DRAWING

SCALE: 10:1

SHEET: 1 of 1

REV: AA

TE Connectivity

SOCKET CONTACT, POSTED  
SIZE 22D

SIZE: A2 CAGE CODE: 00779 DRAWING NO: 207684 RESTRICTED TO: -