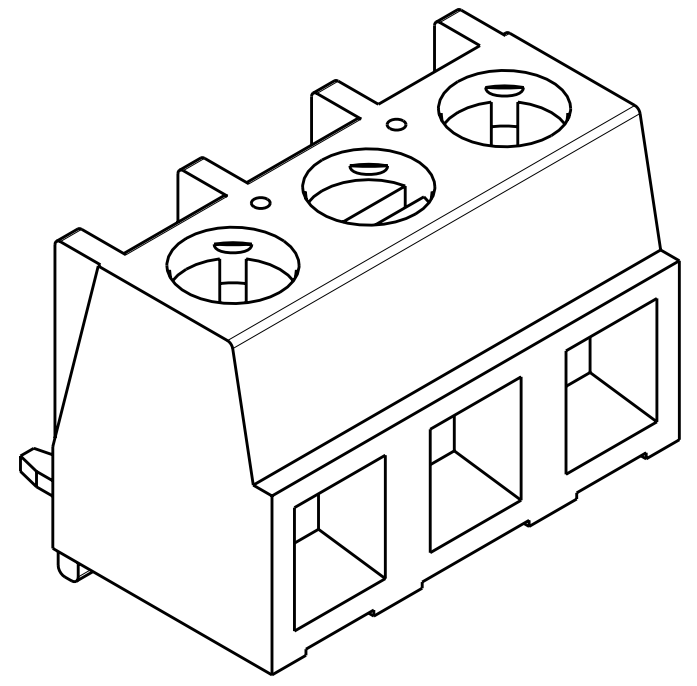
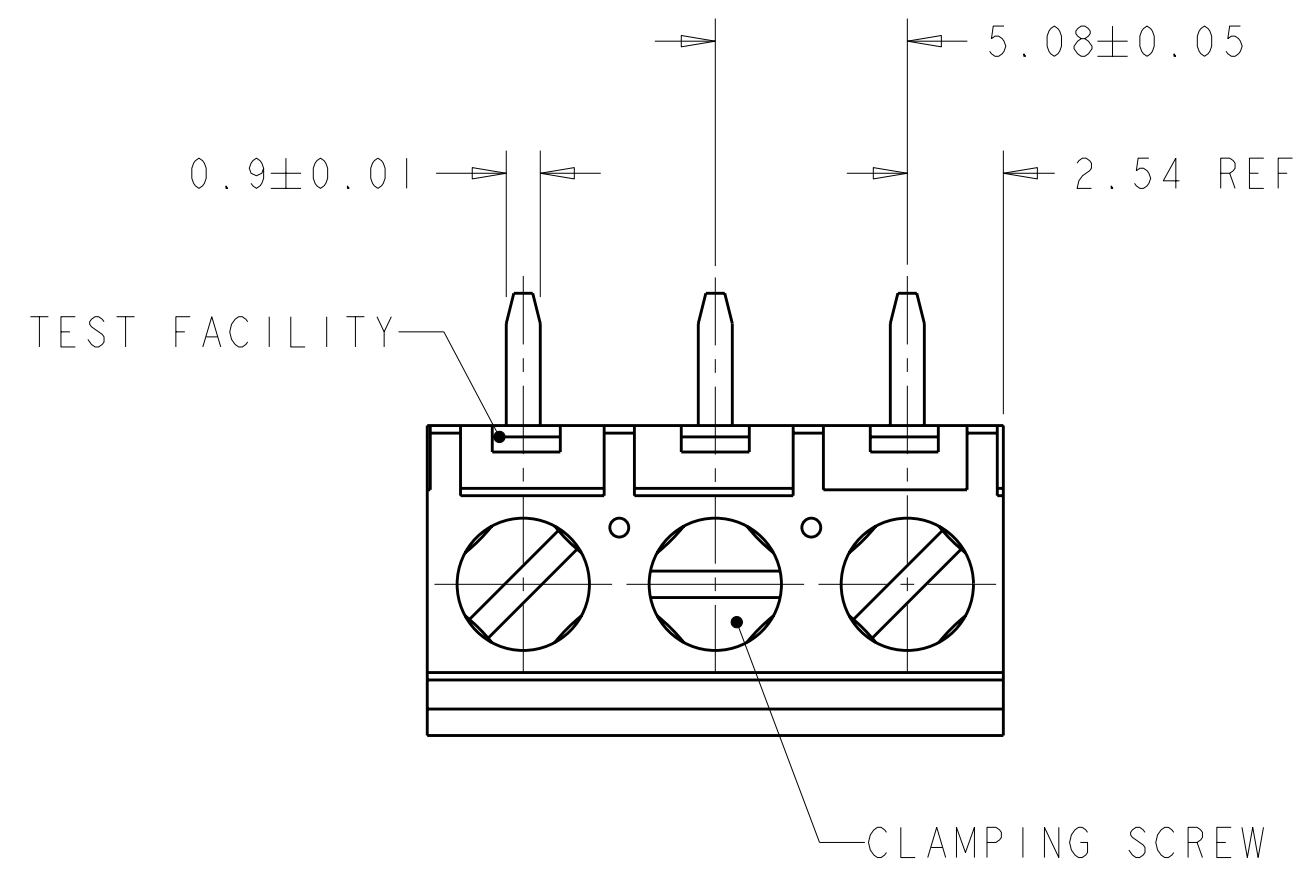


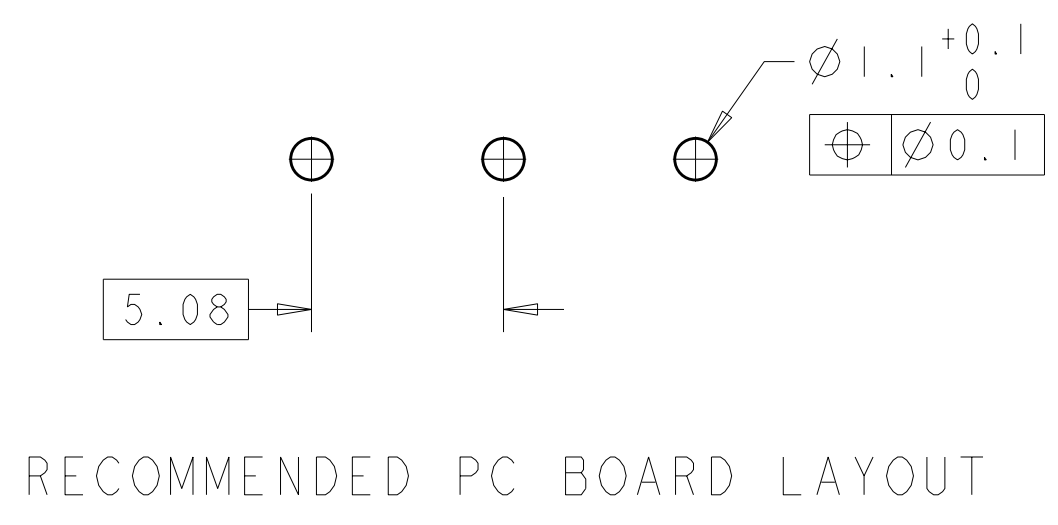
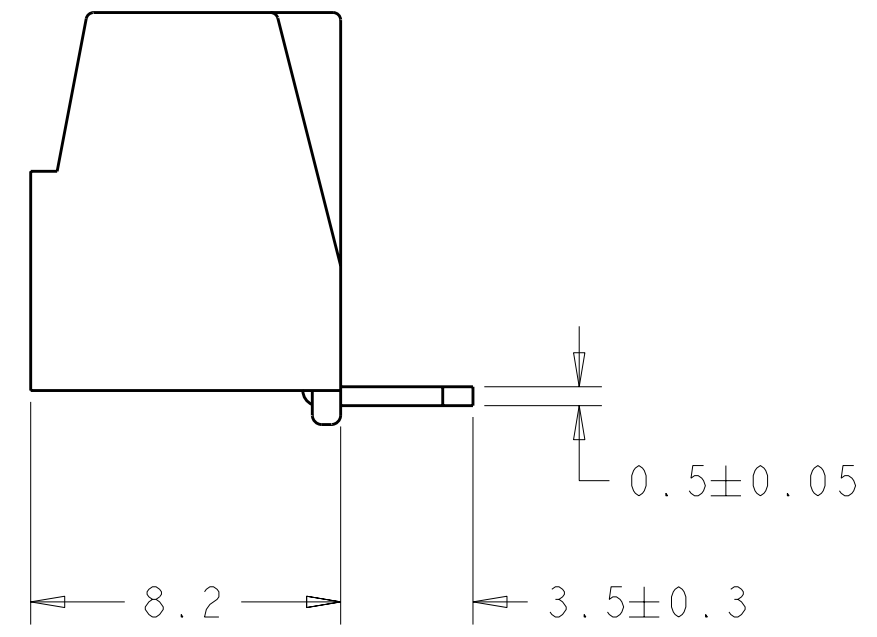
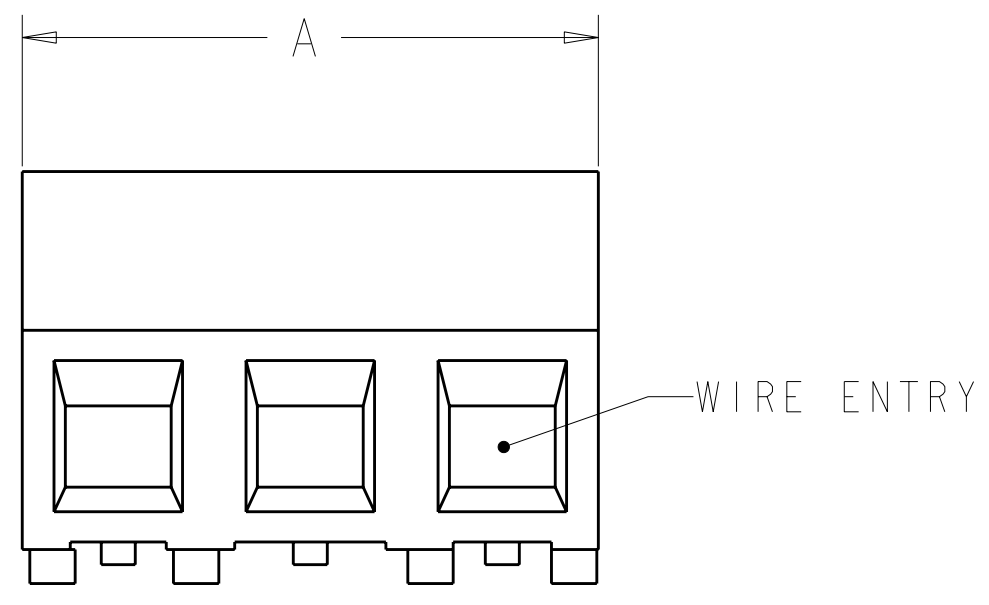
THIS DRAWING IS UNPUBLISHED. RELEASED FOR PUBLICATION 20
 © COPYRIGHT 20 BY TYCO ELECTRONICS CORPORATION. ALL RIGHTS RESERVED.

LOC		DIST		REVISIONS			
P	LTR	DESCRIPTION	DATE	DWN	APVD		
	0	RELEASED EC 063B-0612-04	09JUN2005	SW	CR		
	01	REVISED ECO-06-022416	26SEP2006	SW	CR		



1776121-3 AS SHOWN

- ⚠ MATERIAL AND FINISH
 HOUSING: STANYL TE250F6, UL 94V-0 RATED, COLOR: BLACK.
 CLAMP: BRASS, NICKEL PLATED.
 TERMINAL: BRASS, TIN PLATED.
 CLAMPING SCREW: M3, BRASS, NICKEL PLATED.
- SUITABLE FOR 1.6-2.4mm PC BOARD THICKNESS.
 - END-TO-END STACKABLE W/INTERLOCK WITHOUT LOSS OF CENTERLINE SPACING.
 - WIRE SIZE RANGE: 15-17 AWG.



40.64	8	1776121-8
35.56	7	1776121-7
30.48	6	1776121-6
25.40	5	1776121-5
20.32	4	1776121-4
15.24	3	1776121-3
10.16	2	1776121-2
A	NO OF POSN	PART NUMBER

DIMENSIONS:		TOLERANCES UNLESS OTHERWISE SPECIFIED:		DWN		Tyco Electronics	
mm		0 PLC	±	S. WELDON	09JUN2005	Harrisburg, PA 17105-3608	
		1 PLC	±0.2	CHK	09JUN2005	BUCHANAN	
		2 PLC	±0.25	C. RICHARD	09JUN2005	NAME	
		3 PLC	±0.000	APVD	09JUN2005	TERMINAL BLOCK ASSEMBLY,	
		4 PLC	±0.0000	C. RICHARD		PCB MOUNT, TOP WIRE ENTRY, STACKING,	
		ANGLES	±	PRODUCT SPEC		W/INTERLOCK, 5.08mm PITCH	
MATERIAL	FINISH			APPLICATION SPEC		SIZE	CAGE CODE
				WEIGHT	-	A2	00779
				CUSTOMER DRAWING		DRAWING NO	1776121
				SCALE	5:1	RESTRICTED TO	
				SHEET	1	OF	1
				REV	01		