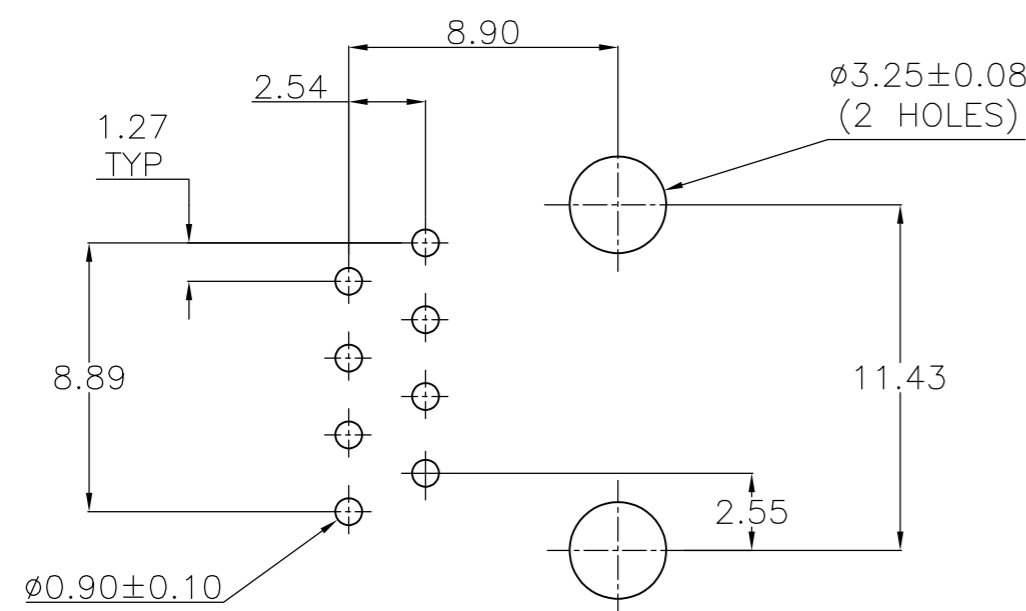
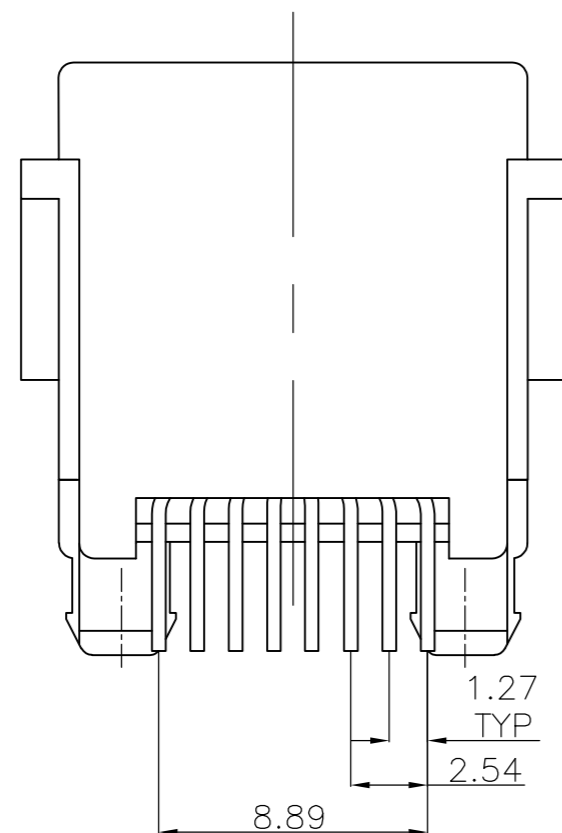
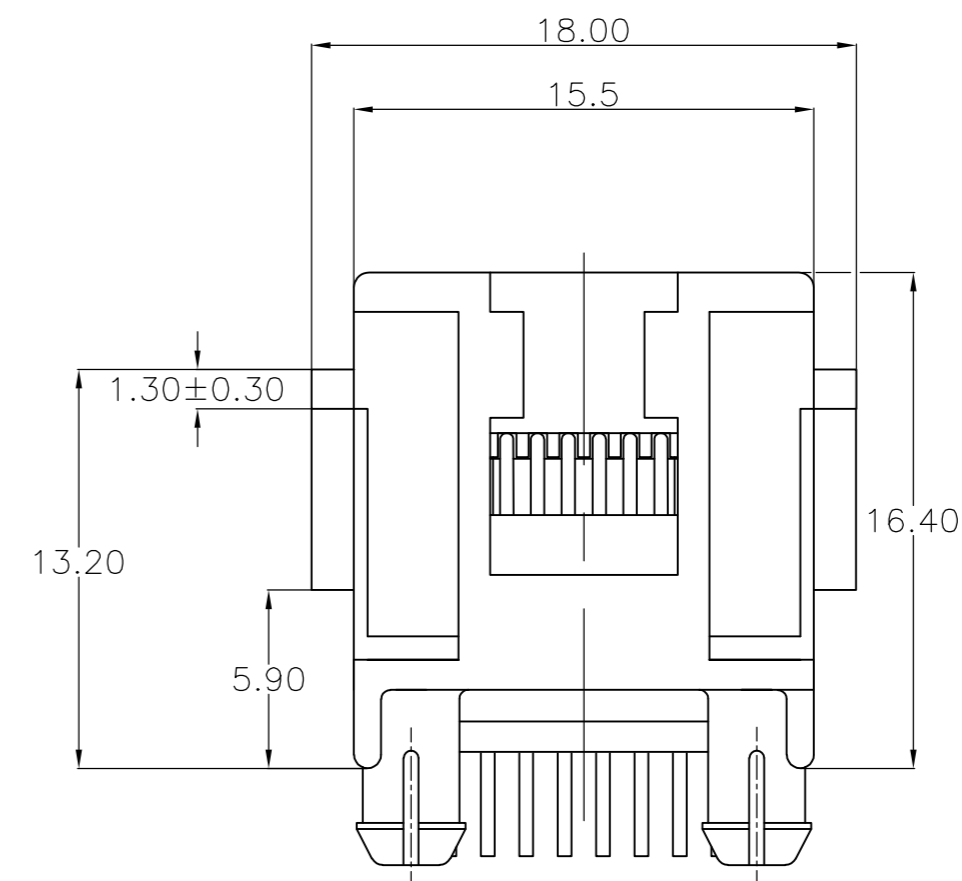
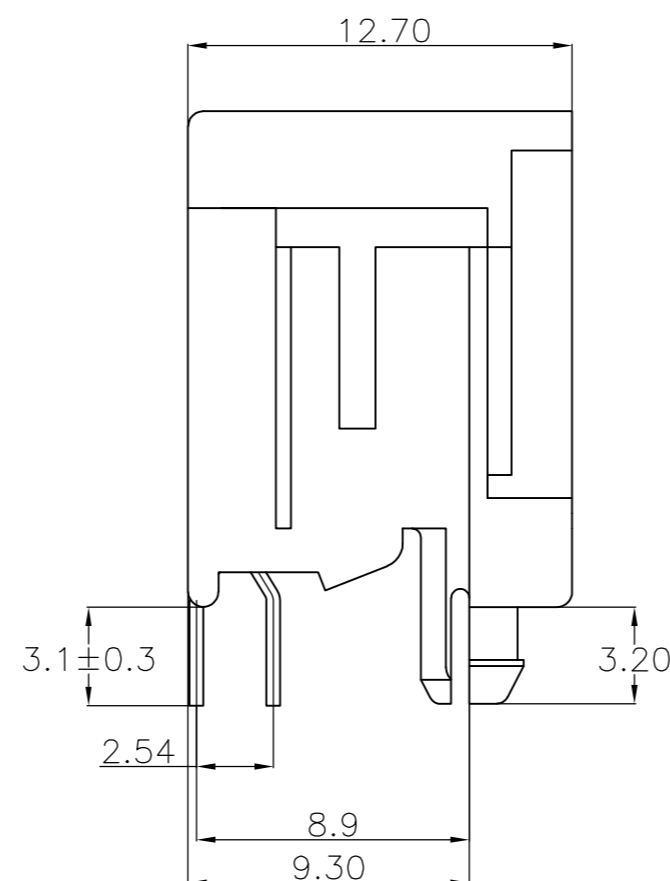
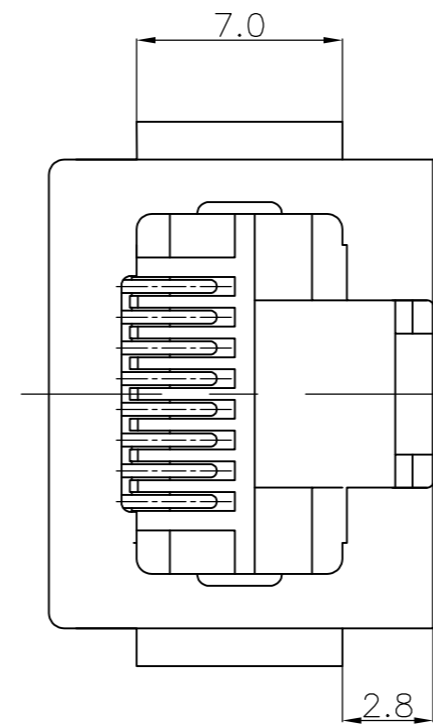


THIS DRAWING IS UNPUBLISHED. RELEASED FOR PUBLICATION
 © COPYRIGHT - By - ALL RIGHTS RESERVED.

LOC	DIST	REVISIONS					
H	-	P	LTR	DESCRIPTION	DATE	DWN	APVD
		M1		REVISED PER ECO-11-005294	02APR11	RK	HMR

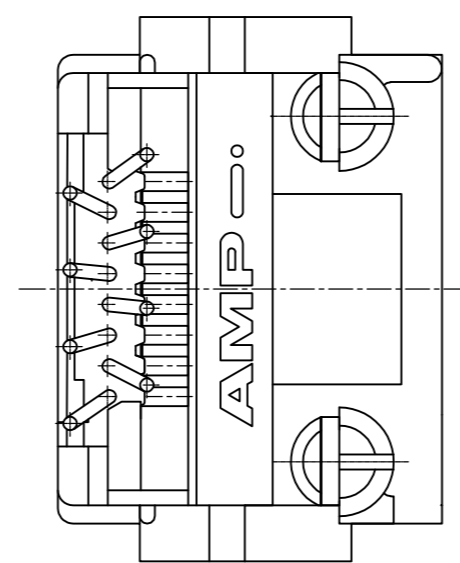
NOTES:

1. TOLERANCES UNLESS OTHERWISE SPECIFIED: ±0.15
2. FOR APPLICATION INFORMATION SEE AMP SPEC. 114-19019.
3. FOR PERFORMANCE REQUIREMENTS SEE AMP SPEC. 108-19064



PRINTED CIRCUIT BOARD LAYOUT

[VIEW SHOWN IS CIRCUIT (NONCOMPONENT) SIDE OF BOARD.]
 TOLERANCES UNLESS OTHERWISE SPECIFIED: ±0.05
 PRINTED CIRCUIT BOARD THICKNESS: 1.6 mm NOMINAL.



800 PCS. ON A 60cm. DIA. REEL	8 POSITIONS/ 8 CONTACTS.	IN CONTACT AREA: 1.2µm MIN. SEL. GOLD OVER 1.2µm MIN. NICKEL	HOUSING: PBT,UL 94V-0 COLOR: BLACK	216550-2
		SOLDER TINES: 2.0µm MIN. TIN OVER 1.2µm MIN. NICKEL	CONTACTS: PHOSPHOR BRONZE	
			HOUSING: PBT,UL 94V-HB COLOR: BLACK	216550-1
			CONTACTS: PHOSPHOR BRONZE	
PACKAGING	REMARKS	FINISH	MATERIAL	PART NUMBER

THIS DRAWING IS A CONTROLLED DOCUMENT.		DWN J.V.LIEMPT 22JAN92	TE Connectivity	
DIMENSIONS: mm		CHK C.STERKEN	NAME	
TOLERANCES UNLESS OTHERWISE SPECIFIED:		APVD L.V.SOEST	MODULAR JACK, 8 POS. TOP ENTRY, SMALL SIZE WITH PANEL STOPS, FOR PRINTED CIRCUIT BOARDS	
0 PLC ± -		PRODUCT SPEC	SIZE	RESTRICTED TO
1 PLC ± -		APPLICATION SPEC	CAGE CODE	
2 PLC ± -			DRAWING NO	
3 PLC ± -			SCALE	
4 PLC ± -			SHEET	
ANGLES ± -			1 OF 1	
MATERIAL SEE TABLE	FINISH SEE TABLE	WEIGHT -	A2 00779	REV M1
		CUSTOMER DRAWING		