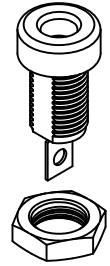
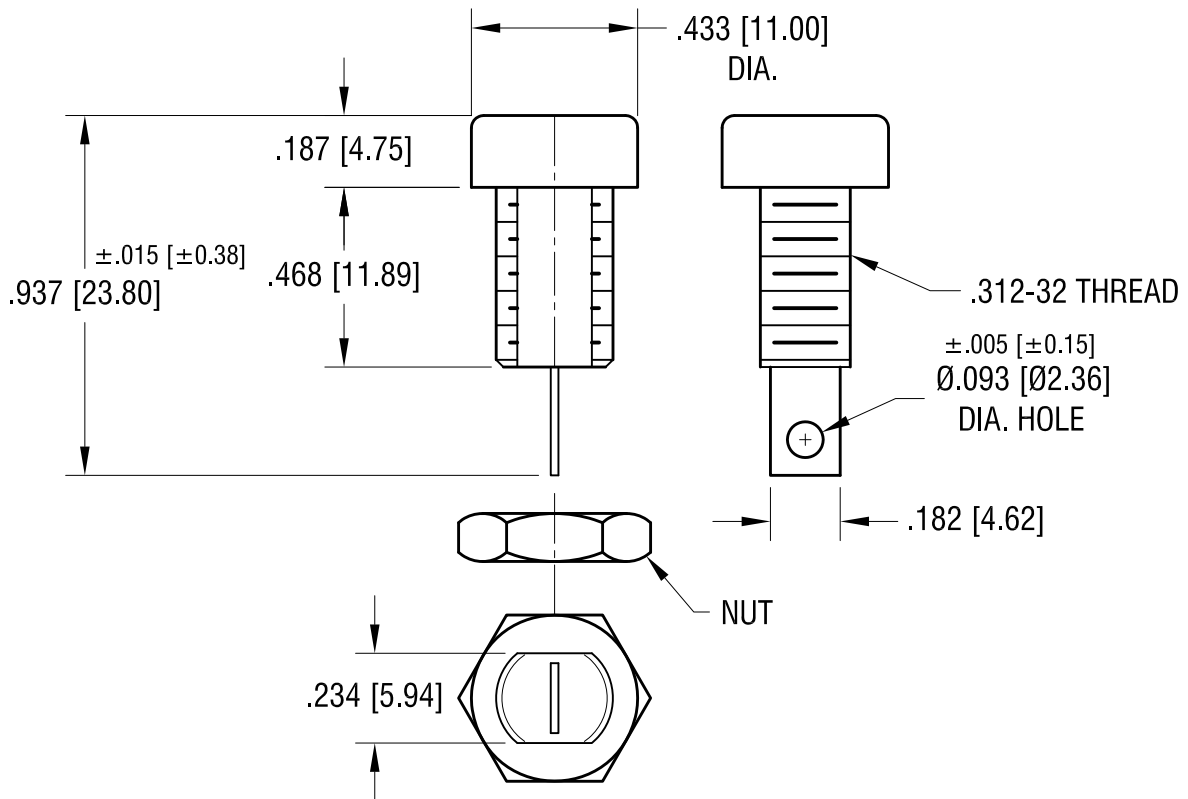
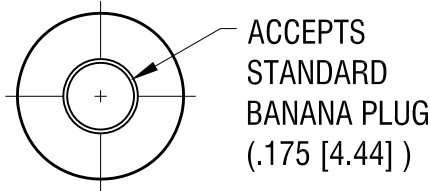
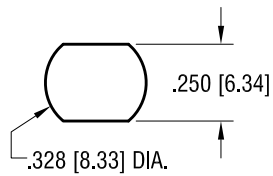


THIS DOCUMENT IS THE PROPERTY OF KEYSTONE ELECTRONICS CORP. AND SHALL NOT BE REPRODUCED, DISTRIBUTED OR USED AS A BASIS FOR MANUFACTURE WITHOUT PRIOR WRITTEN PERMISSION FROM KEYSTONE ELECTRONICS CORP.

ACTUAL SIZE



MOUNTING DETAIL



NOTES:

- 1. BODY: MAT'L - NYLON (RED COLOR)
- SOLDER LUG: MAT'L - BRASS, TIN PLATE
- NUT: MAT'L - BRASS, NICKEL PLATE

| DATE | DESCRIPTION | REV. |
|---------|--------------------------|------|
| 7.08.15 | CHANGE AS PER ECN 15-067 | C |
| 1.06.14 | CHANGE AS PER ECN 14-008 | B |
| 8.31.11 | CHANGE AS PER ECN 11-120 | A |

| | | | |
|---|-----------------|-----------------------|-------------|
| KEYSTONE ELECTRONICS CORP. | | | |
| www.keyelco.com • ASTORIA, N.Y. 11105-2017 • Tel (718) 956-8900 | | | |
| PART NAME | | INSULATED BANANA JACK | |
| MATERIAL | | AS NOTED | |
| FINISH | AS NOTED | DRN BY | BOONE |
| | | DATE | 1.11.06 |
| | | APP'D | LN |
| | | SCALE | 2X |
| TOLERANCES | INCH [MM] | CODE | DWG NO. |
| DECIMAL | ± .010 [± 0.25] | C | 6091 |
| ANGULAR | ± 1° | | |
| UNLESS OTHERWISE SPECIFIED | | | |