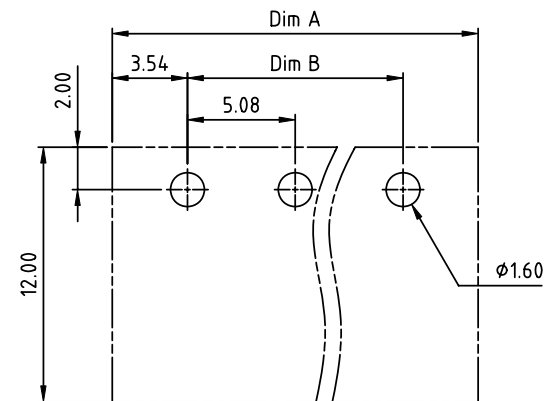
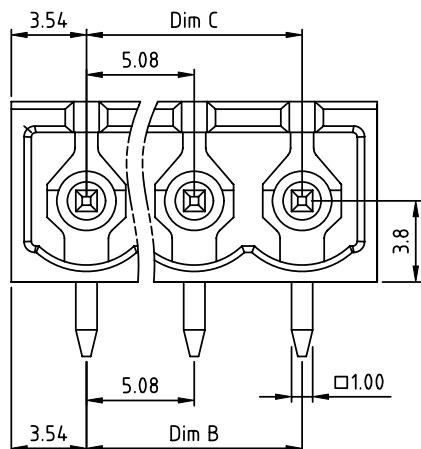
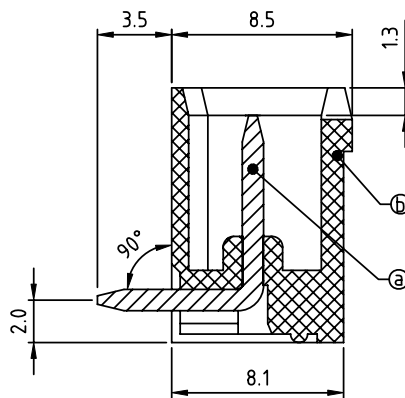
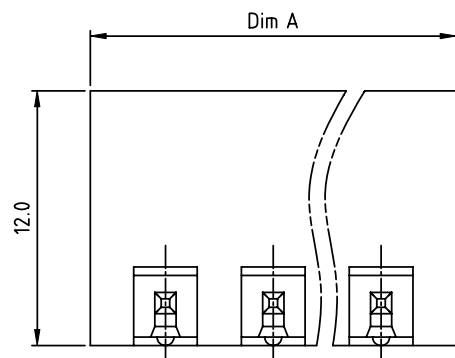


PRODUCT NUMBER	PITCH
OQxx54x100J0G	5.08 mm



RECOMMENDED P.C.B LAYOUT
TOP VIEW

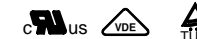


Material:

- Item ① Male contact pin: Copper Tin plated
- Item ② Terminal housing: Thermoplastic (UL94V-0)

Electrical:

- Voltage rating: 300V/300V/300V
- Current rating: 20A/20A/20A
- Withstanding Voltage: 1.6 KV/2.5KV/2.5KV
- Operating temperature: -40°C to +115°C
- Soldering temperature: 260°C±5°C/5 Sec
- Safety Approval:



DIMENSION

Dim A	N×5.08+2.0
Dim B&C	(N-1)×5.08
N = Number of poles	
Poles	Tolerance
2-6p	±0.15
7-12p	±0.20
13-18p	±0.30
19-24p	±0.40

PART NO.: OQ xx 5 4 x 1 00J0 G

No. of poles	Body Color	RoHS compliant
02 2 poles	0 Black (RAL9005)	(lead<4%)
03 3 poles	2 Red (RAL3001/D)	In copper Alloy
...	3 Orange(RAL2011/P)	
...	4 Yellow(RAL1018/A)	
24 24 poles	5 Green(RAL6018/T)	
	6 Blue (RAL5015/A)	
	8 Grey(RAL7035/D)	
	9 White(RAL1102)	
	C Green(RAL6018/U)	

mat'l. code		surface ASME Y14.5	tolerance ASME Y14.5	projection 	product family TERMINAL BLOCK
ltr	ecn no	dr	date	tolerances unless otherwise specified	title
				angles X°±1°	TERMINAL BLOCK
				scale	PLUGGABLE SOCKET,CLOSE TYPE,RIGHT ANGLE
		dr	HANKE FENG	040314	dwg no
		enr	HANKE FENG	040314	sheet 1 of 1
		chr	SHI JUN	040314	size
		appd	SHI JUN	040314	A4
sheet index	revision	A			type
	sheet	1			CUSTOMER Drawing