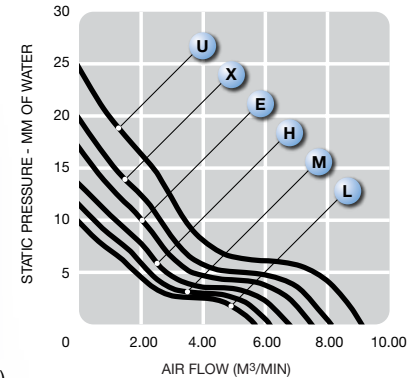
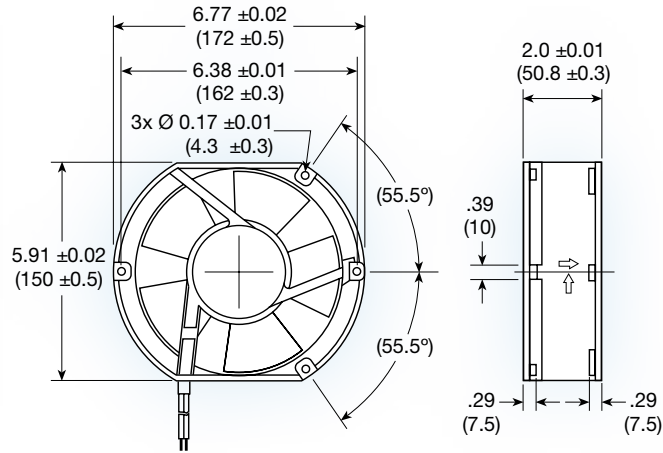


# MA1751 series



**(172 x 150 x 50.8 mm)**

6.77 x 5.91 x 2.0 inches

<b>Features:</b>	<b>soft start function</b>
<b>Construction:</b>	die-cast aluminum frame; UL94V-0 PBT impeller
<b>Bearing option:</b>	ball bearing
<b>Connection:</b>	AWG 22, UL1007 lead wires
<b>Frame:</b>	flanged
<b>Protection:</b>	thermal
<b>Options:</b>	tachometer output or locked rotor alarm signal; PWM speed control

Model No.	Rated Voltage V	Current mA			Speed RPM	Air Volume		Max. Static Pressure (H <sub>2</sub> O)		Sound Noise dBa	Weight g
		12	24	48		M <sup>3</sup> /Min.	CFM	MM	INCH		
MA1751L	12/24/48	1100	480	250	2,400	5.81	205.1	9.83	0.39	54.5	760
MA1751M	12/24/48	1400	570	310	2,600	6.29	222.2	11.54	0.46	56.6	760
MA1751H	12/24/48	1800	770	380	2,850	6.89	243.6	13.86	0.55	58.4	760
MA1751E	12/24/48	2200	980	550	3,150	7.62	269.2	16.93	0.67	61.0	760
MA1751X	24/48	-	1200	730	3,400	8.23	290.6	19.73	0.78	63.0	760
MA1751U	48	-	-	900	3,800	9.20	324.8	24.64	0.98	66.2	760