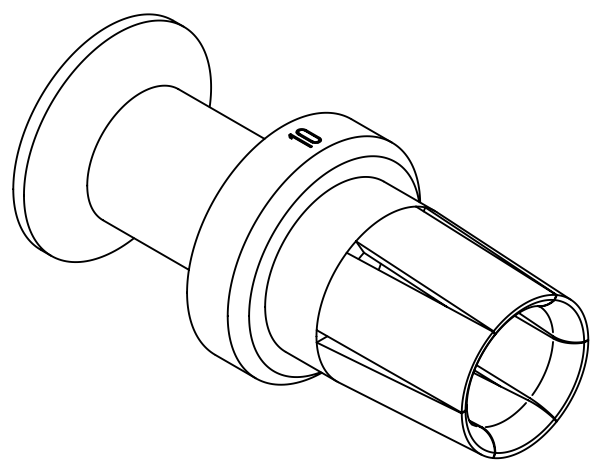
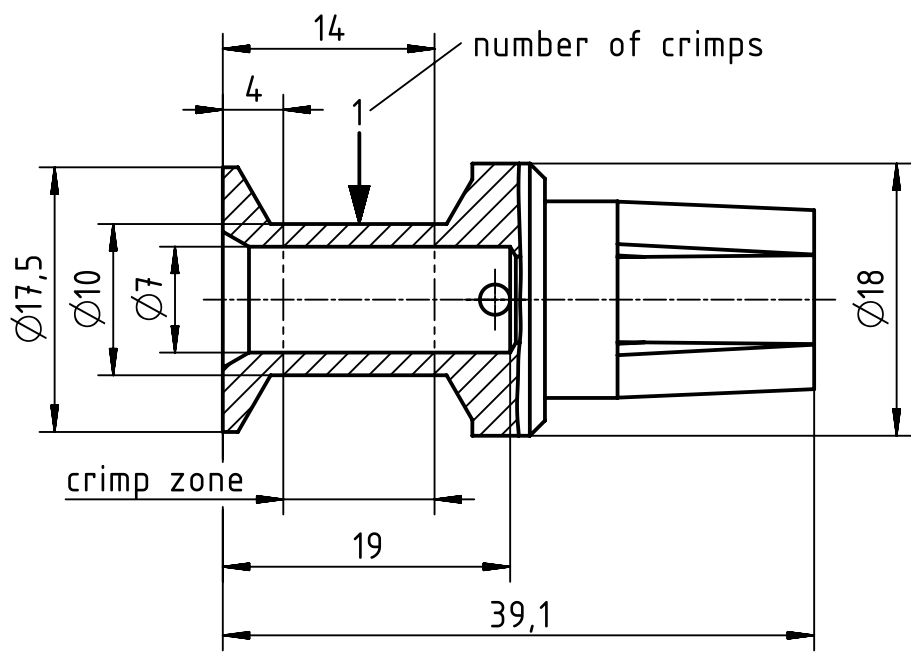


A

B

C

D



assembly notes see catalog
 crimp zone acc. to DIN EN 46235; indicator 10
 for stranded fine wire acc. to VDE 0295 class 5/IEC 60228 class 5
 wire gauge: 25mm²
 stripping length: 19mm

	All Dimensions in mm Original Size DIN A4	Scale 2:1		Free size tol.		Ref.	
						Sub.	
	All rights reserved Department EL PD - DE	Created by FINKEV	Inspected by SCHNIEDER	Standardisation SCHMIDTM	Date 2015-01-19	State Final Release	
		Title Han TC200 female contact 25mm ²					Doc-Key / ECM-Nr. 100182737/UGD/005/C 500000083632
HARTING Electric GmbH & Co. KG D-32339 Espelkamp		Type TB	Number 09 11 000 6220			Rev. C	Page 1/1