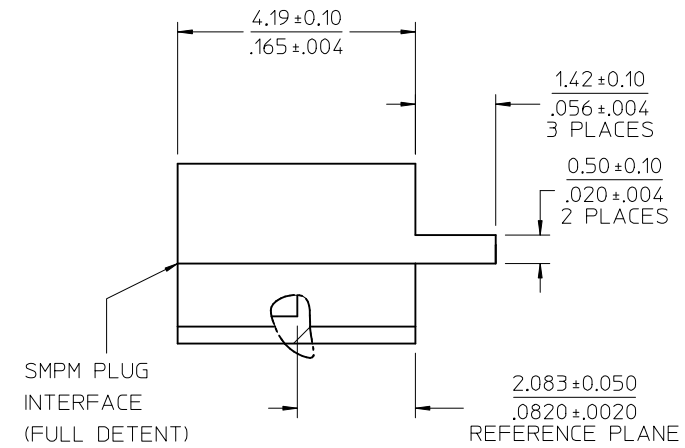
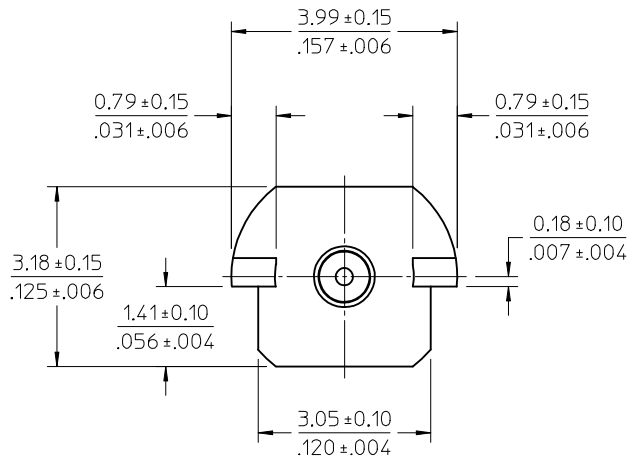
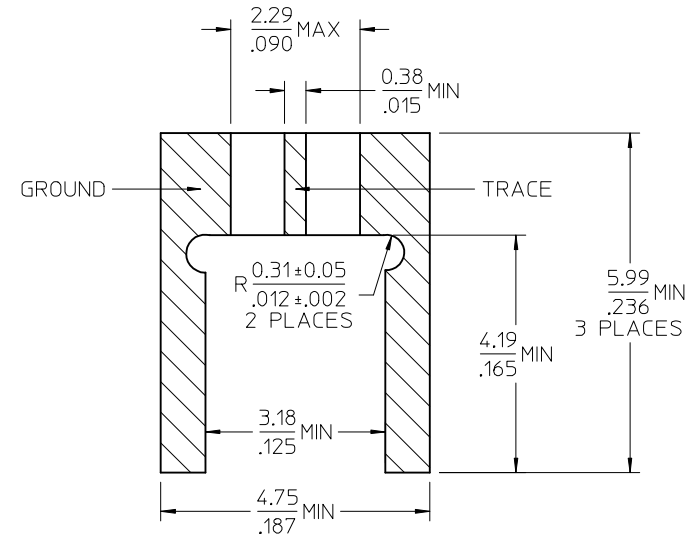
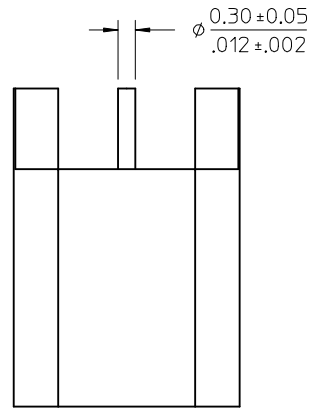
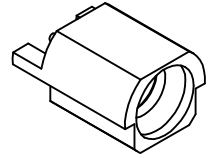


MATERIALS AND FINISH

BODY: BRASS
PLATED GOLD

CONTACT: BERYLLIUM COPPER
PLATED GOLD

INSULATOR: TEFLON



73300-0022	73300-0020 TAPE & REEL (1000 PCS PER REEL)
73300-0021	73300-0020 TAPE & REEL (500 PCS PER REEL)
73300-0020	SMPM PLUG FD INTERFACE (TRAY 80 CAV.)
PART NO.	PACKAGING

MIL-STD-348A, FIG. 328.2	INTERFACE
SPECIFICATION	DESCRIPTION

CHG:ADD -0022 & TOLERANCE PER PDR16062271 EC NO: URF2016-0847 DRW:RYEH 2016/06/16 CHKD: APPR:YCHENG 2016/06/24 DESCRIPTION REV: C2	QUALITY SYMBOLS	GENERAL TOLERANCES (UNLESS SPECIFIED)	DIMENSION STYLE	SCALE	DESIGN UNITS	THIRD ANGLE PROJECTION																			
	$\nabla = 0$ $\nabla = 0$ $\nabla = 0$	<table border="1"> <thead> <tr> <th></th> <th>mm</th> <th>INCH</th> </tr> </thead> <tbody> <tr> <td>4 PLACES</td> <td>\pm ---</td> <td>\pm ---</td> </tr> <tr> <td>3 PLACES</td> <td>\pm ---</td> <td>\pm ---</td> </tr> <tr> <td>2 PLACES</td> <td>\pm ---</td> <td>\pm ---</td> </tr> <tr> <td>1 PLACE</td> <td>\pm ---</td> <td>\pm ---</td> </tr> <tr> <td>0 PLACE</td> <td>\pm</td> <td>\pm</td> </tr> </tbody> </table>		mm	INCH	4 PLACES	\pm ---	\pm ---	3 PLACES	\pm ---	\pm ---	2 PLACES	\pm ---	\pm ---	1 PLACE	\pm ---	\pm ---	0 PLACE	\pm	\pm	UNLESS SPECIFIED ANGULAR $\pm 2^\circ$ DRAFT WHERE APPLICABLE MUST REMAIN WITHIN DIMENSIONS	MM/IN DRAWN BY: JLEE DATE: 2007/09/20 CHECKED BY: SSS DATE: 2007/09/20 APPROVED BY: JWIENER DATE: 2007/09/20	15:1	METRIC	
		mm	INCH																						
	4 PLACES	\pm ---	\pm ---																						
3 PLACES	\pm ---	\pm ---																							
2 PLACES	\pm ---	\pm ---																							
1 PLACE	\pm ---	\pm ---																							
0 PLACE	\pm	\pm																							
SEE TABLE	MATERIAL NO. DOCUMENT NO. SD-73300-002 SHEET NO. 1 OF 5	TITLE SMPM PLUG EDGE MOUNT 50 OHM FULL DETENT EWR-3445 SMPM-P/PCB molex	THIS DRAWING CONTAINS INFORMATION THAT IS PROPRIETARY TO MOLEX INCORPORATED AND SHOULD NOT BE USED WITHOUT WRITTEN PERMISSION																						

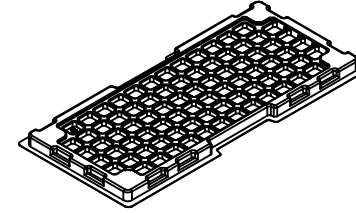
4 PLACES	\pm ---	\pm ---
3 PLACES	\pm ---	\pm ---
2 PLACES	\pm ---	\pm ---
1 PLACE	\pm ---	\pm ---
0 PLACE	\pm	\pm

UNLESS SPECIFIED	ANGULAR $\pm 2^\circ$	DRAFT WHERE APPLICABLE MUST REMAIN WITHIN DIMENSIONS
------------------	-----------------------	--

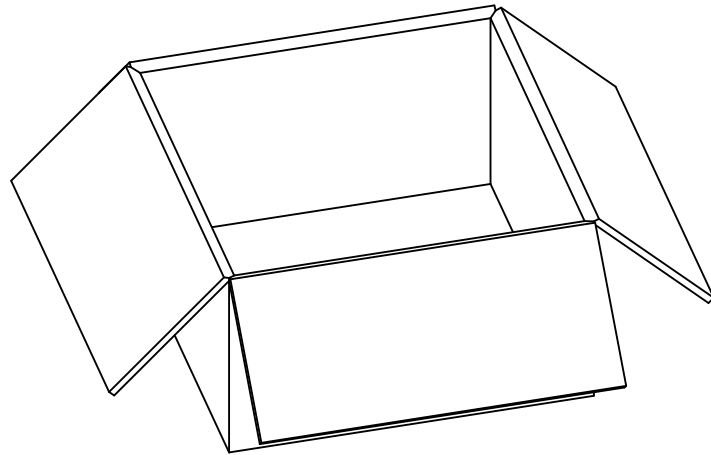
DIMENSION STYLE MM/IN DRAWN BY: JLEE DATE: 2007/09/20 CHECKED BY: SSS DATE: 2007/09/20 APPROVED BY: JWIENER DATE: 2007/09/20	SCALE 15:1	DESIGN UNITS METRIC	THIRD ANGLE PROJECTION 	TITLE SMPM PLUG EDGE MOUNT 50 OHM FULL DETENT EWR-3445 SMPM-P/PCB molex	MATERIAL NO. DOCUMENT NO. SD-73300-002 SHEET NO. 1 OF 5
THIS DRAWING CONTAINS INFORMATION THAT IS PROPRIETARY TO MOLEX INCORPORATED AND SHOULD NOT BE USED WITHOUT WRITTEN PERMISSION					



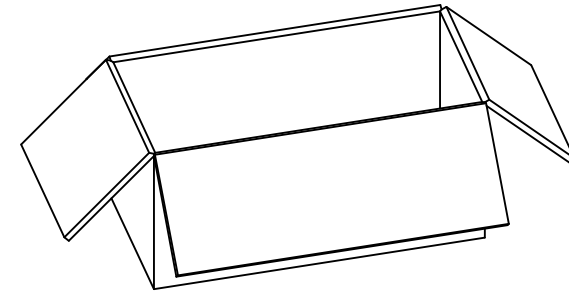
P/N: 73300-0020



80 SETS PER TRAY
P/N: 89707-0190



3200 SETS PER OUTER
CARTON BOX
P/N: 96708-0005



1600 SETS PER INNER
CARTON BOX
P/N: 96707-0001

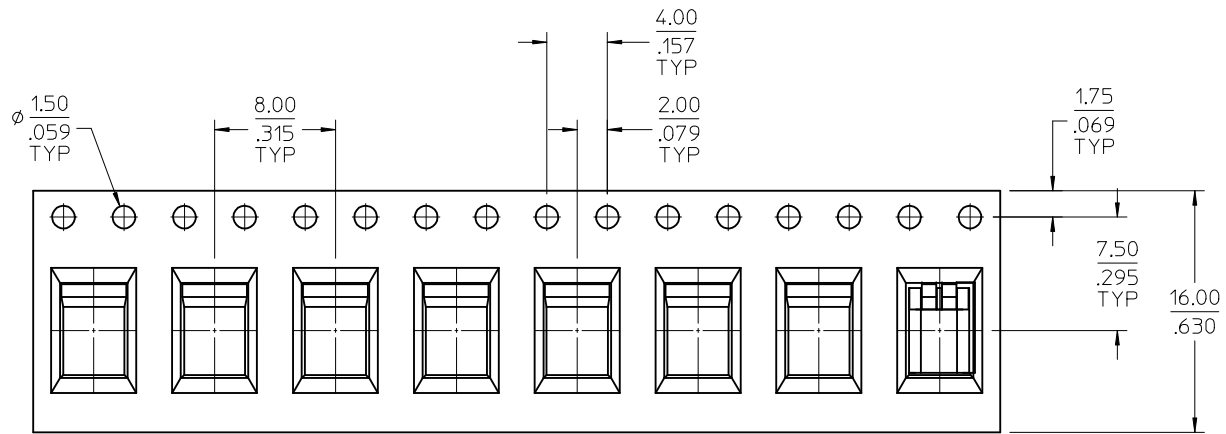
CHG:SEE SHEET 1
 EC NO: URF2016-0847
 DRAWN:YEH 2016/06/16
 CHKD:
 APPR:YCHENG 2016/06/24

REV	DESCRIPTION
C2	

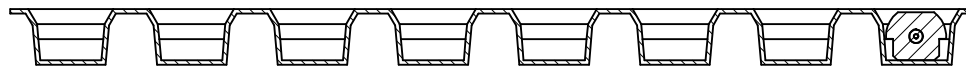
QUALITY SYMBOLS	
	=0
	=0
	=0

GENERAL TOLERANCES (UNLESS SPECIFIED)	
	mm
	INCH
4 PLACES	± .005
3 PLACES	± .005
2 PLACES	± .005
1 PLACE	± .005
0 PLACE	± .005
ANGULAR ± 2 °	
DRAFT WHERE APPLICABLE MUST REMAIN WITHIN DIMENSIONS	

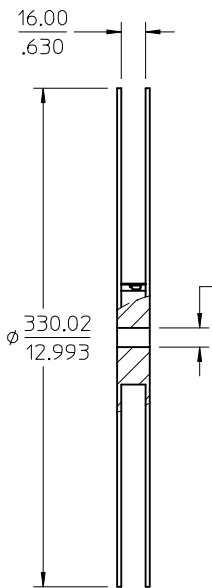
DIMENSION STYLE		SCALE	DESIGN UNITS	THIRD ANGLE PROJECTION
MM/IN		3:1	METRIC	
DRAWN BY	DATE	TITLE		
JLEE	2007/09/20	SMPM PLUG EDGE MOUNT		
CHECKED BY	DATE	50 OHM FULL DETENT		
SSS	2007/09/20	EWR-3445 SMPM-P/PCB		
APPROVED BY	DATE	molex		
JWIENER	2007/09/20			
MATERIAL NO.	DOCUMENT NO.	SHEET NO.		
SEE TABLE	SD-73300-002	2 OF 5		
THIS DRAWING CONTAINS INFORMATION THAT IS PROPRIETARY TO MOLEX INCORPORATED AND SHOULD NOT BE USED WITHOUT WRITTEN PERMISSION				



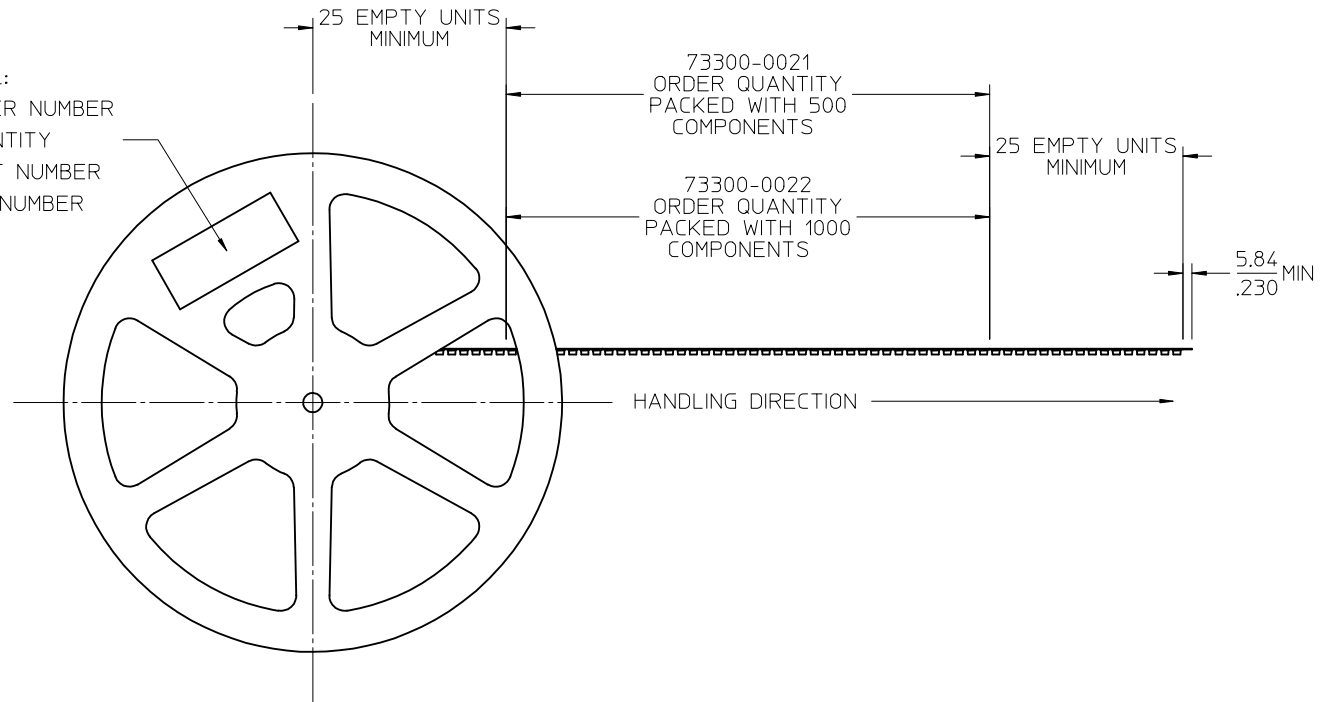
FOR 73300-0021 & -0022



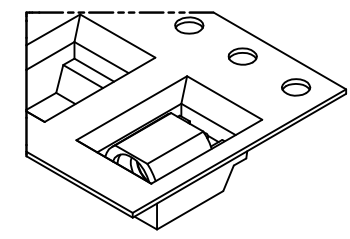
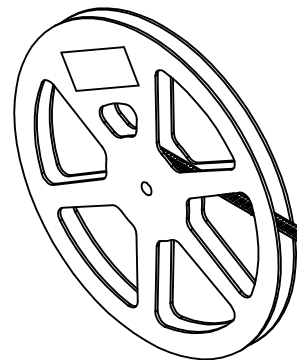
CHG:SEE SHEET 1 EC NO: URF2016-0847 DRW:RYEH CHKD: APPR:YCHENG	2016/06/16 2016/06/24	QUALITY SYMBOLS ▽=0 ▽=0 ▽=0	GENERAL TOLERANCES (UNLESS SPECIFIED)		DIMENSION STYLE MM/IN	SCALE 4:1	DESIGN UNITS METRIC	THIRD ANGLE PROJECTION			
			mm	INCH	DRAWN BY JLEE	DATE 2007/09/20	TITLE SMPM PLUG EDGE MOUNT 50 OHM FULL DETENT EWR-3445 SMPM-P/PCB				
C2	DESCRIPTION	REV	4 PLACES ±	---	±	---	CHECKED BY SSS	DATE 2007/09/20	MATERIAL NO. SEE TABLE	DOCUMENT NO. SD-73300-002	SHEET NO. 3 OF 5
			3 PLACES ±	---	±	---	APPROVED BY JWIENER	DATE 2007/09/20			
			2 PLACES ±	---	±	---	ANGULAR ± 2°		THIS DRAWING CONTAINS INFORMATION THAT IS PROPRIETARY TO MOLEX INCORPORATED AND SHOULD NOT BE USED WITHOUT WRITTEN PERMISSION		
			1 PLACE ±	---	±	---	DRAFT WHERE APPLICABLE MUST REMAIN WITHIN DIMENSIONS				
			0 PLACE ±	---	±	---					



LABEL:
 -ORDER NUMBER
 -QUANTITY
 -PART NUMBER
 -LOT NUMBER



FOR 73300-0021 & -0022



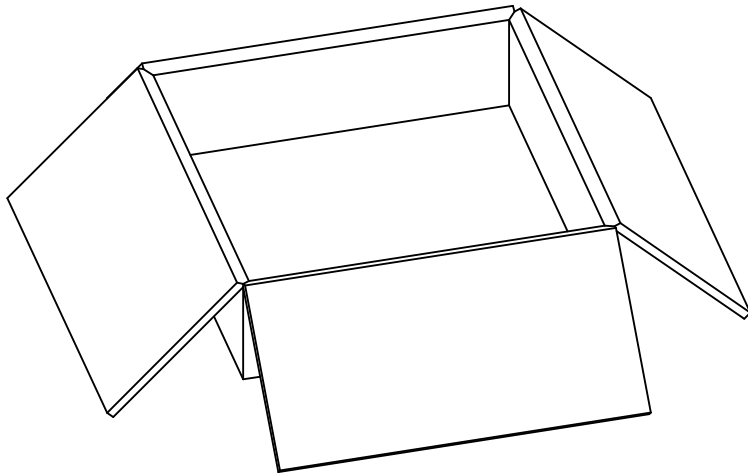
Detail 1
Scale 5:1

SEE Detail 1

CHG:SEE SHEET 1 EC NO: URF2016-0847 DRAWN:RYEH CHKD: APPR:YCHENG 2016/06/16 2016/06/24	QUALITY SYMBOLS	GENERAL TOLERANCES (UNLESS SPECIFIED)	DIMENSION STYLE	SCALE	DESIGN UNITS	THIRD ANGLE PROJECTION
	▽=0	mm INCH	MM/IN	1:2.5	METRIC	☉
	▽=0	4 PLACES ± --- ± ---	DRAWN BY DATE	TITLE		
	▽=0	3 PLACES ± --- ± ---	JLEE 2007/09/20	SMPM PLUG EDGE MOUNT		
▽=0	2 PLACES ± --- ± ---	CHECKED BY DATE	50 OHM FULL DETENT			
	1 PLACE ± --- ± ---	SSS 2007/09/20	EWR-3445 SMPM-P/PCB			
	0 PLACE ± --- ± ---	APPROVED BY DATE	molex			
		JWIENER 2007/09/20	MATERIAL NO.	DOCUMENT NO.	SHEET NO.	
		ANGULAR ± 2 °	SEE TABLE	SD-73300-002	4 OF 5	
		DRAFT WHERE APPLICABLE MUST REMAIN WITHIN DIMENSIONS	THIS DRAWING CONTAINS INFORMATION THAT IS PROPRIETARY TO MOLEX INCORPORATED AND SHOULD NOT BE USED WITHOUT WRITTEN PERMISSION			

73300-0021

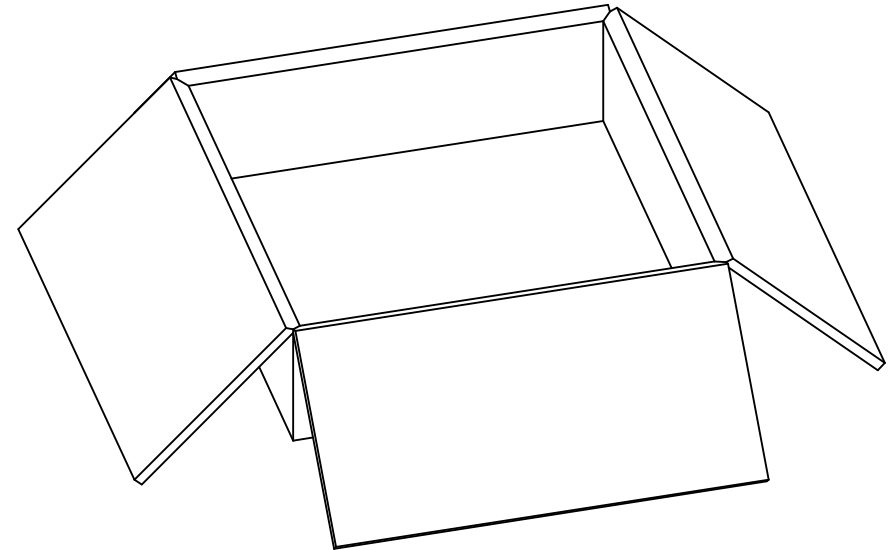
500 X 73300-0020 PER REEL
P/N: 89707-0234



ONE REEL PER CARTON
P/N: 89499-9021

73300-0022

1000 x 73300-0020 PER REEL
P/N: 89707-0234



7 REELS PER CARTON
P/N: 89499-9031

CHG:SEE SHEET 1
EC NO: URF2016-0847
DRAWN:RYEH 2016/06/16
CHKD:
APPR:YCHENG 2016/06/24

REV	DESCRIPTION	QUALITY SYMBOLS
		= 0
		= 0
		= 0

GENERAL TOLERANCES (UNLESS SPECIFIED)

	mm	INCH
4 PLACES	± .---	± .---
3 PLACES	± .---	± .---
2 PLACES	± .---	± .---
1 PLACE	± .---	± .---
0 PLACE	±	±

ANGULAR ± 2 °

DRAFT WHERE APPLICABLE MUST REMAIN WITHIN DIMENSIONS

DIMENSION STYLE		SCALE	DESIGN UNITS	THIRD ANGLE PROJECTION
MM/IN		1:3.33	METRIC	
DRAWN BY	DATE	TITLE		
JLEE	2007/09/20	SMPM PLUG EDGE MOUNT		
CHECKED BY	DATE	50 OHM FULL DETENT		
SSS	2007/09/20	EWR-3445 SMPM-P/PCB		
APPROVED BY	DATE	molex		
JWIENER	2007/09/20	SD-73300-002		
MATERIAL NO.	DOCUMENT NO.	SHEET NO.		
SEE TABLE	SD-73300-002	5 OF 5		

SIZE C THIS DRAWING CONTAINS INFORMATION THAT IS PROPRIETARY TO MOLEX INCORPORATED AND SHOULD NOT BE USED WITHOUT WRITTEN PERMISSION