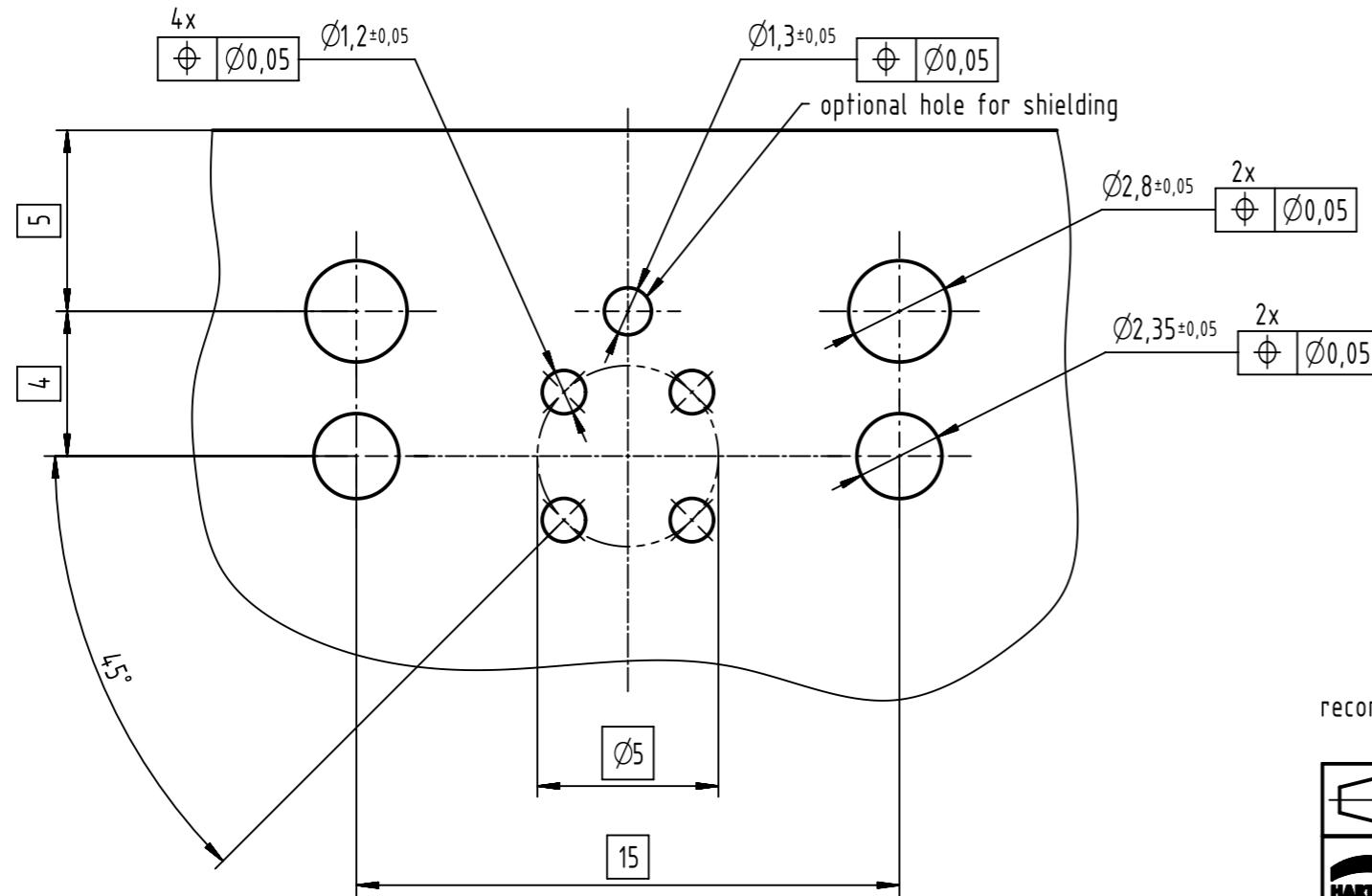
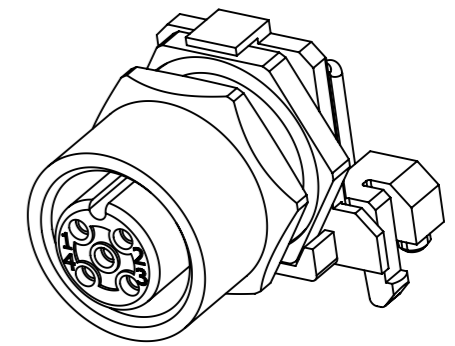
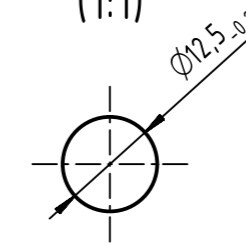


A(5:1)
recommended PCB layout



panel cut out
(1:1)



recommended PCB thickness: 1.6mm

	All rights reserved	Created by HELLMANN	Inspected by EISFELD	Standardisation KOHLER	Date 2016-05-17	State Final Release	Ref. Sub.
	Department EC PD - DE	Title HARTING M12 PCB recept angl 4-pole A-cod female shielded				Doc-Key / ECM-Nr. 100671221/UGD/000/A 500000104428	
HARTING Electronics GmbH D-32339 Espelkamp		Type TB	Number 21033214401		Rev. A	Page 1/1	