

DO NOT SCALE FROM THIS PRINT

DESIGNED & DIMENSIONED IN MILLIMETERS

ISS1-XX-L
 ROW SPECIFICATION
 -S: SINGLE ROW
 -L: POSITIVE LATCH
 No. OF POSITIONS
 -02 THRU -05
 -06 THRU -20

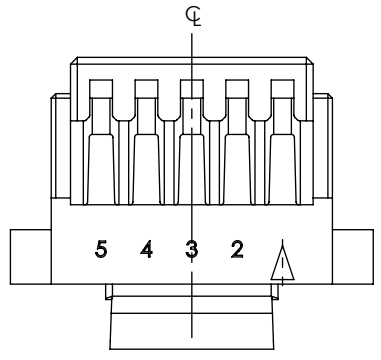
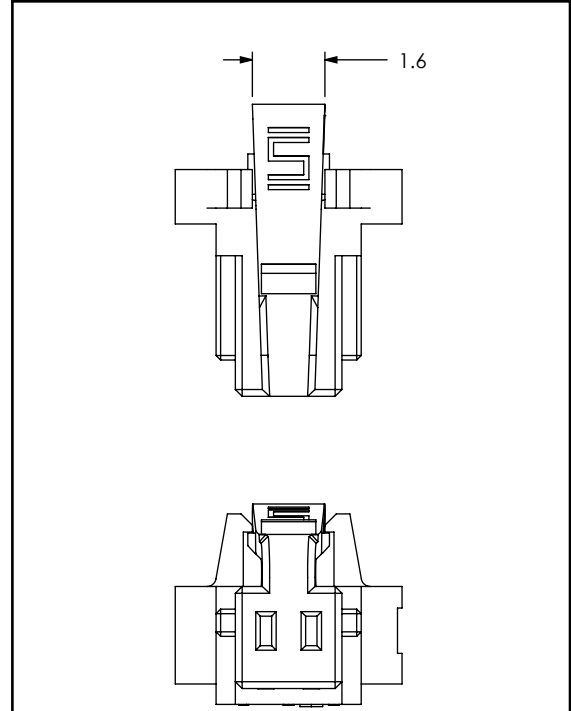
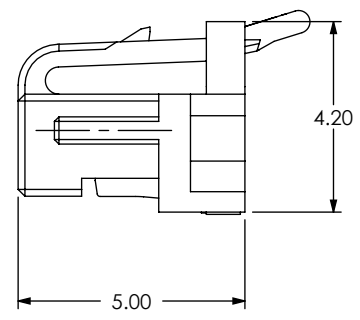
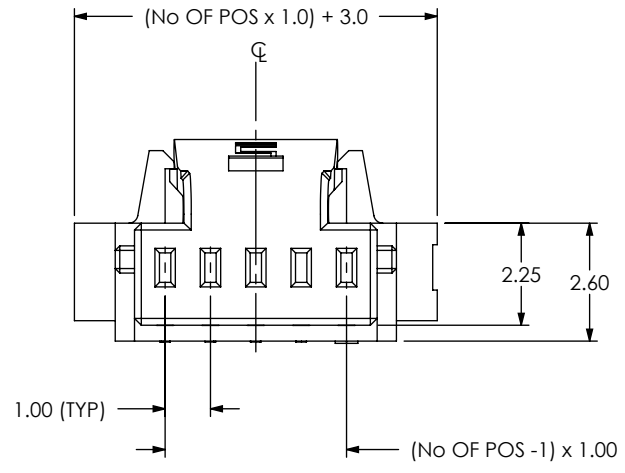
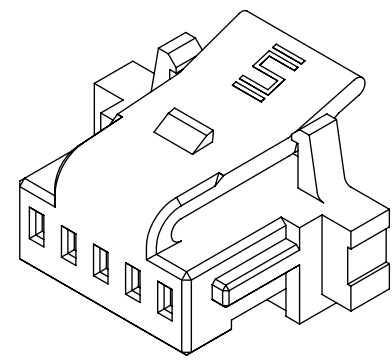
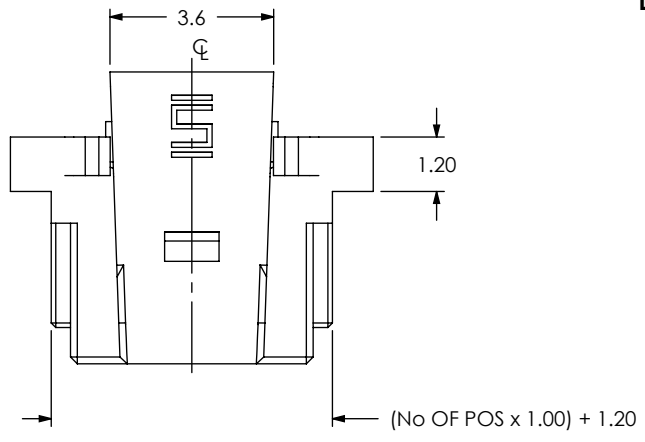


FIG 1
ISS1-05-L SHOWN

FIG 2
ISS1-02-L SHOWN
(DIFFERENT AS SHOWN, OTHERWISE SAME AS FIG 1)
(FOR POSITIONS -02 THRU -04)

UNLESS OTHERWISE SPECIFIED, DIMENSIONS ARE IN MILLIMETERS.	* PROPRIETARY NOTE THIS DOCUMENT CONTAINS CONFIDENTIAL AND PROPRIETARY INFORMATION AND ALL DESIGN, MANUFACTURING, REPRODUCTION, USE, PATENT RIGHTS AND SALES RIGHTS ARE EXPRESSLY RESERVED BY SAMTEC, INC. THIS DOCUMENT SHALL NOT BE DISCLOSED, IN WHOLE OR PART, TO ANY UNAUTHORIZED PERSON OR ENTITY NOR REPRODUCED, TRANSFERRED OR INCORPORATED IN ANY OTHER PROJECT IN ANY MANNER WITHOUT THE EXPRESS WRITTEN CONSENT OF SAMTEC, INC.		
		520 PARK EAST BLVD., NEW ALBANY, IN 47150 PHONE: 812-944-6733 FAX: 812-948-5047 e-Mail: info@SAMTEC.com code 55322	
MATERIAL: DO NOT SCALE DRAWING	SHEET SCALE: 6:1	DESCRIPTION: 1.00 MM PITCH S1SX BODY	
NYLON, COLOR: WHITE		DWG. NO. ISS1-XX-L	
BY: JESSIE W		10/30/2014	SHEET 1 OF 1