

SPECIFICATIONS

RoHS Compliant



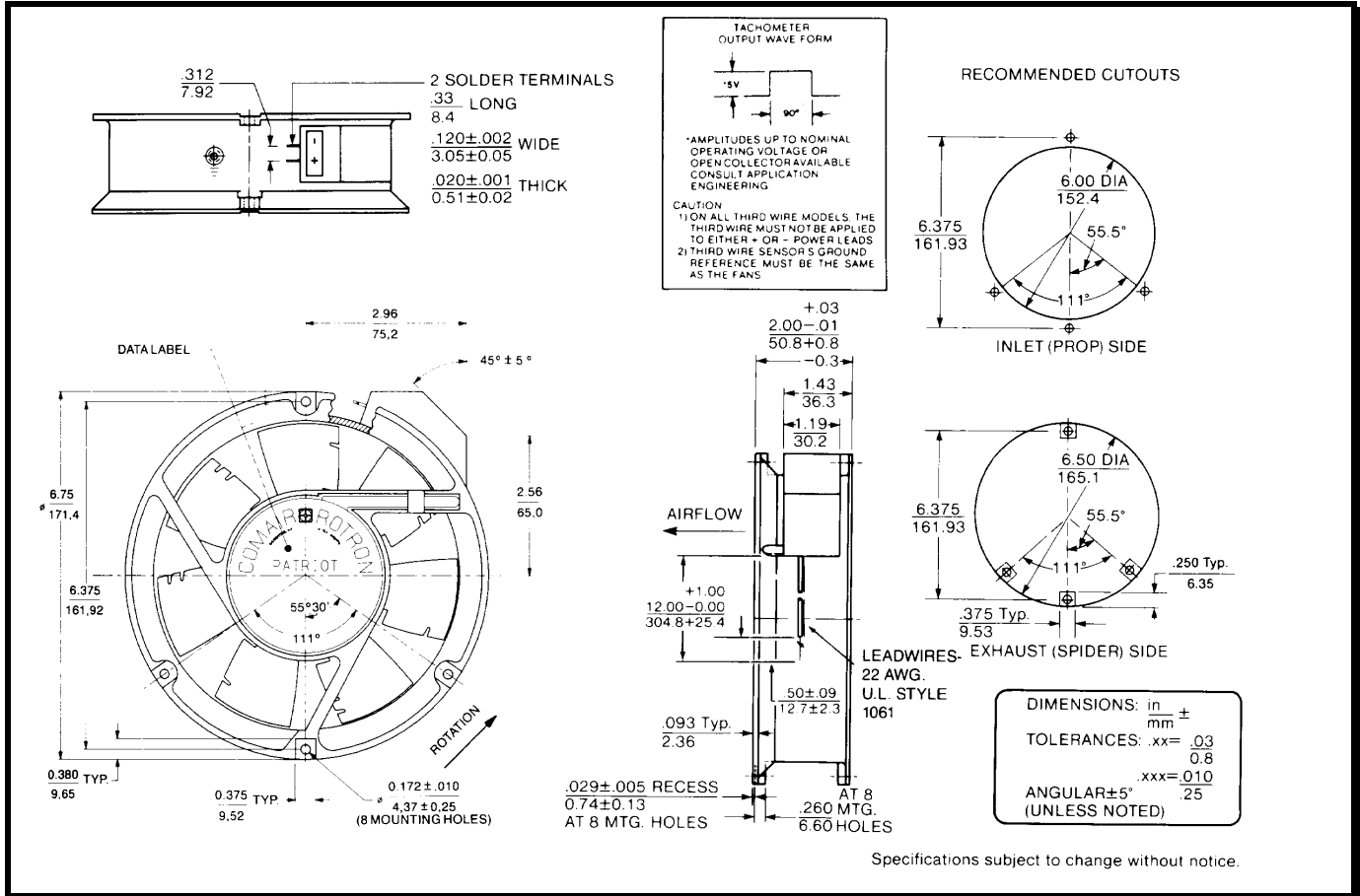
Model Number: PQ12B4QNN

Part Number: 039355

SPEC Number: 26013423A

Nov.2.2011

Mechanical Drawing:



Motor:

Nominal Voltage	= 12 Vdc
Operating Voltage Range	= 9 – 14 Vdc
Nominal Running Current	= 2.22 Amps
Locked Rotor Current	= 3.50 Amps
Running Power	= 26.3 Watts
Average Speed	= 3500 RPM
Bearings	= Ball
Air Flow	= 235 CFM
Acoustic	= 51.2 dBA

Construction:

Venturi: Single piece, die-cast aluminum, painted black
 Propeller: Polycarbonate, painted black

Life Expectancy:

This fan is designed for continuous duty life of 75,000 hours at 40°C

Agencies:

UL,CE

Additional Features:

- Polarity Protected
- Locked Rotor Protection
- Automatic Restart Capability
- Operating Temperature Range: -10°C to +70°C
- Storage Temperature Range: -40°C to +85°C

Fan Performance Sensor:

- Output: Open Collector
- I_c: 20 mA Max.
- V_{ce}: 28 Vdc Max.
- Logic: High on Pass, Low on Fail
- Isolated: Yes
- Delay: No
- Latching: No

Termination:

- Fan Power – 2 Blade Terminals
- Alarm - 12" Lead Wires, 22 AWG, UL1061
- Alarm Power – Red/White
- Alarm Signal – Blue/White
- Alarm Return – Black/White