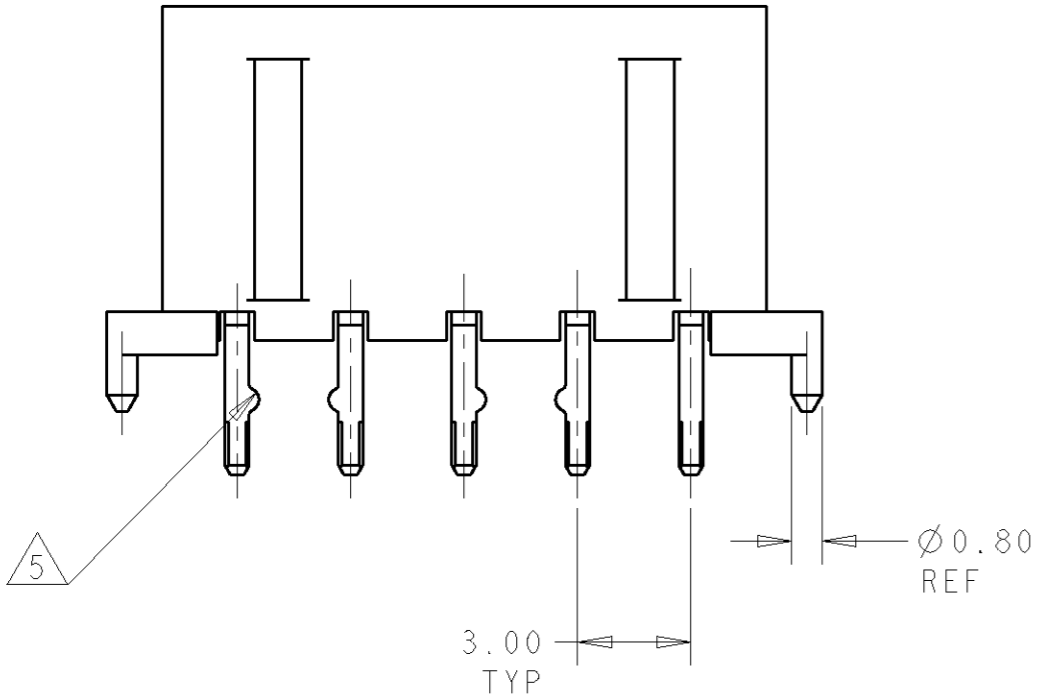
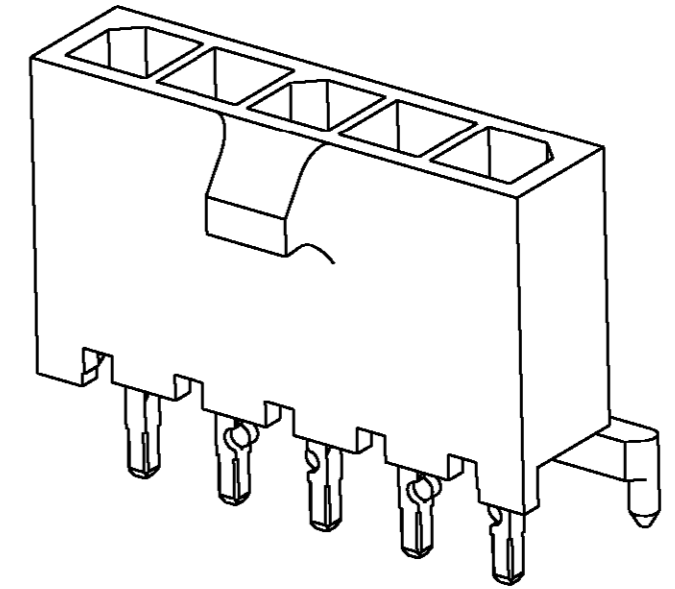
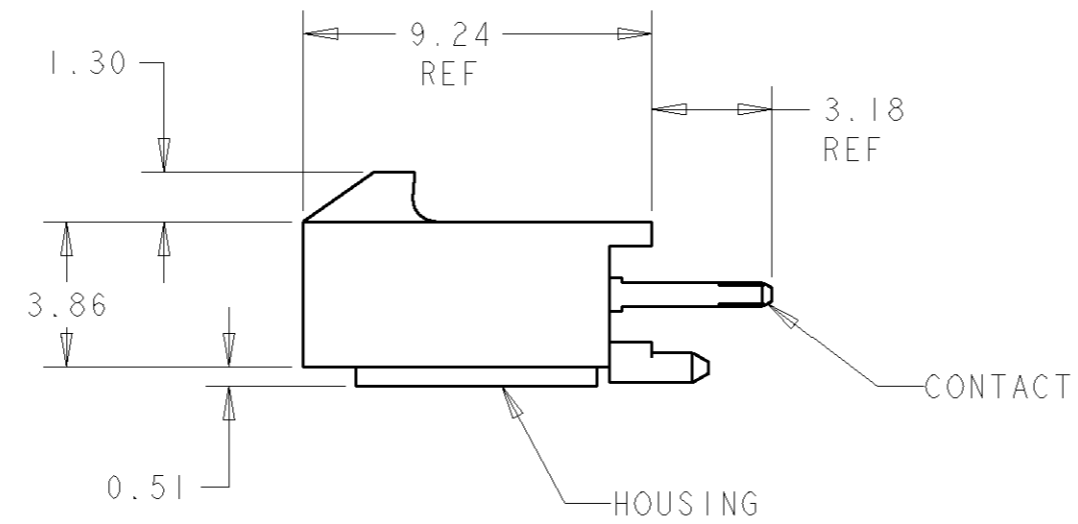
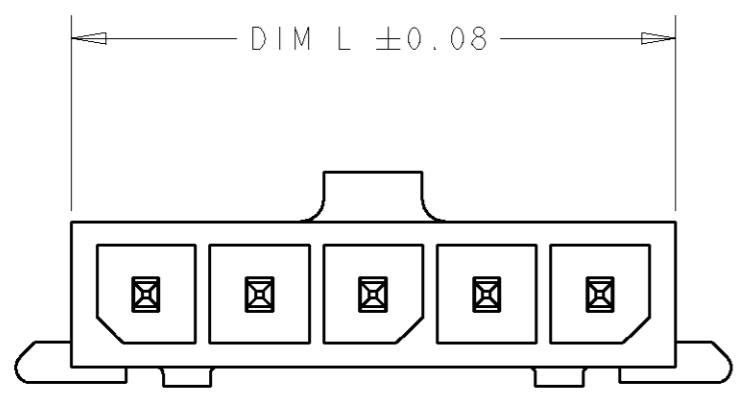
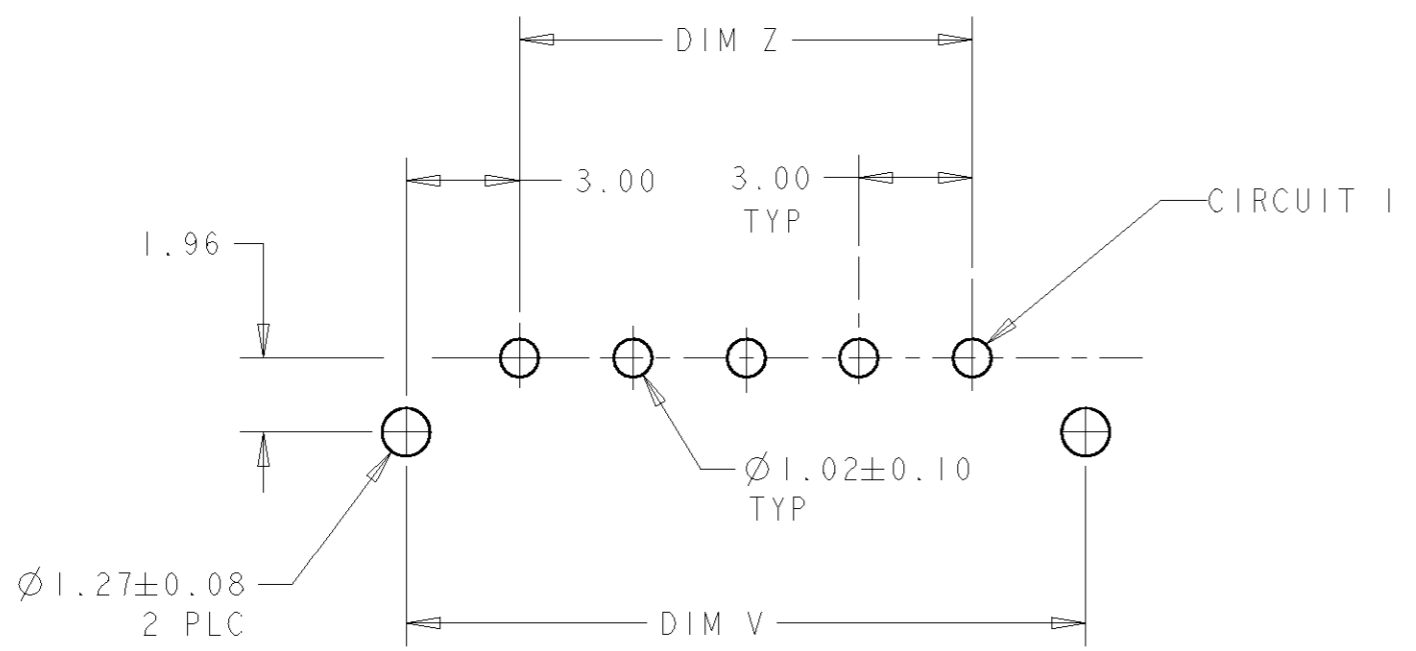


THIS DRAWING IS UNPUBLISHED. RELEASED FOR PUBLICATION .19
 © COPYRIGHT 19 BY AMP INCORPORATED. ALL RIGHTS RESERVED.

LOC		DIST		REVISIONS			
P	LTR	DESCRIPTION	DATE	DWN	APVD		
	0	RELEASED PER 063B-0330-01	17-AUG-01	KW	CJ		



- 1 MATERIAL: CONTACTS - BRASS
HOUSING - UL 94V-0 RATED HIGH TEMP NYLON, COLOR BLACK.
- 2 PLATING: CONTACTS - 0.38µm MINIMUM GOLD ON MATING END,
2.54µm MINIMUM TIN LEAD ON SOLDER TAILS, BOTH OVER
1.27µm MINIMUM NICKEL.
- 4 RECOMMENDED PC BOARD THICKNESS OF 1.57.
- 5 RETENTION BUMP FEATURES FACE EACH OTHER, TYPICAL
ALL CONFIGURATIONS.



PCB LAYOUT COMPONENT SIDE 4

CON POS W/RET BUMP 5	DIM Z	DIM V	DIM L	NO. OF POSN	PART NUMBER
1,2,11,12	33.00	39.14	37.00	12	1-1445084-2
1,2,9,10	30.00	36.14	34.00	11	1-1445084-1
1,2,9,10	27.00	33.14	31.00	10	1-1445084-0
1,2,7,8	24.00	30.14	28.00	9	1445084-9
1,2,7,8	21.00	27.14	25.00	8	1445084-8
1,2,5,6	18.00	24.14	22.00	7	1445084-7
1,2,5,6	15.00	21.14	19.00	6	1445084-6
1,2,3,4	12.00	18.14	16.00	5	1445084-5
1,2,3,4	9.00	15.14	13.00	4	1445084-4
1,2	6.00	12.14	10.00	3	1445084-3
1,2	3.00	9.14	7.00	2	1445084-2

<small>THIS DRAWING IS A CONTROLLED DOCUMENT FOR AMP INCORPORATED. IT IS SUBJECT TO CHANGE AND THE CONTROLLING ENGINEERING ORGANIZATION SHOULD BE CONTACTED FOR THE LATEST REVISION.</small>		DWN J.ROOT 10OCT2000 CHK K.WHITAKER 17-APR-2001 APVD C.JONES 17-APR-2001	AMP Tyco Electronics Harrisburg, PA 17105-3608
DIMENSIONS: mm	TOLERANCES UNLESS OTHERWISE SPECIFIED: 0 PLC ± 1 PLC ± 2 PLC ±0.13 3 PLC ± 4 PLC ± ANGLES ± FINISH -	PRODUCT SPEC - APPLICATION SPEC - WEIGHT -	NAME VERTICAL THRU HOLE HEADER ASSY, 0.38 MIC GOLD CONTACTS W/PCB PLZN FEATURE,SGL ROW, MICRO MATE-N-LOK TM
MATERIAL -		CUSTOMER DRAWING	SIZE A2 CAGE CODE 00779 DRAWING NO. 1445084 SCALE 5:1 SHEET 1 OF 1 REV 0

