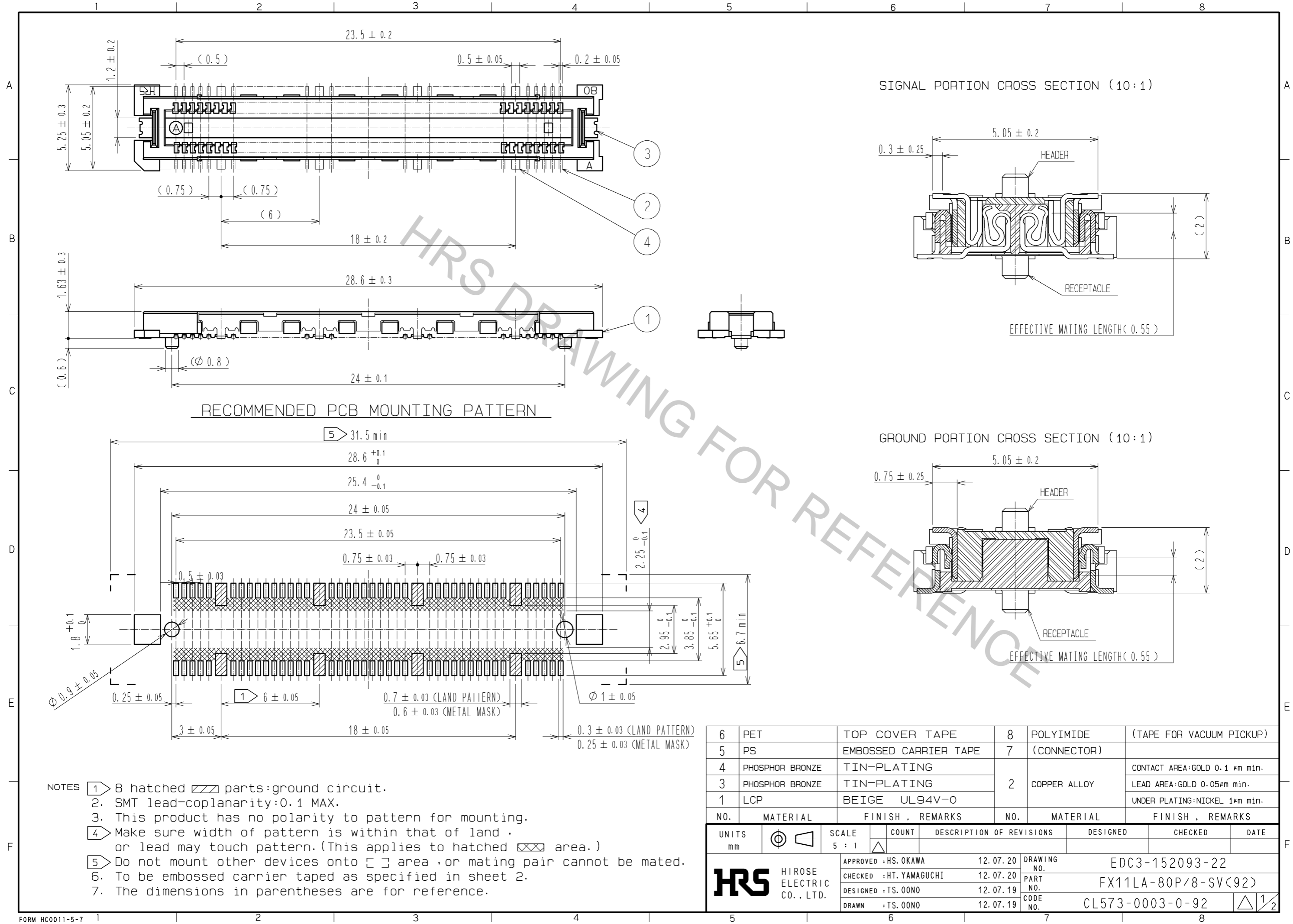


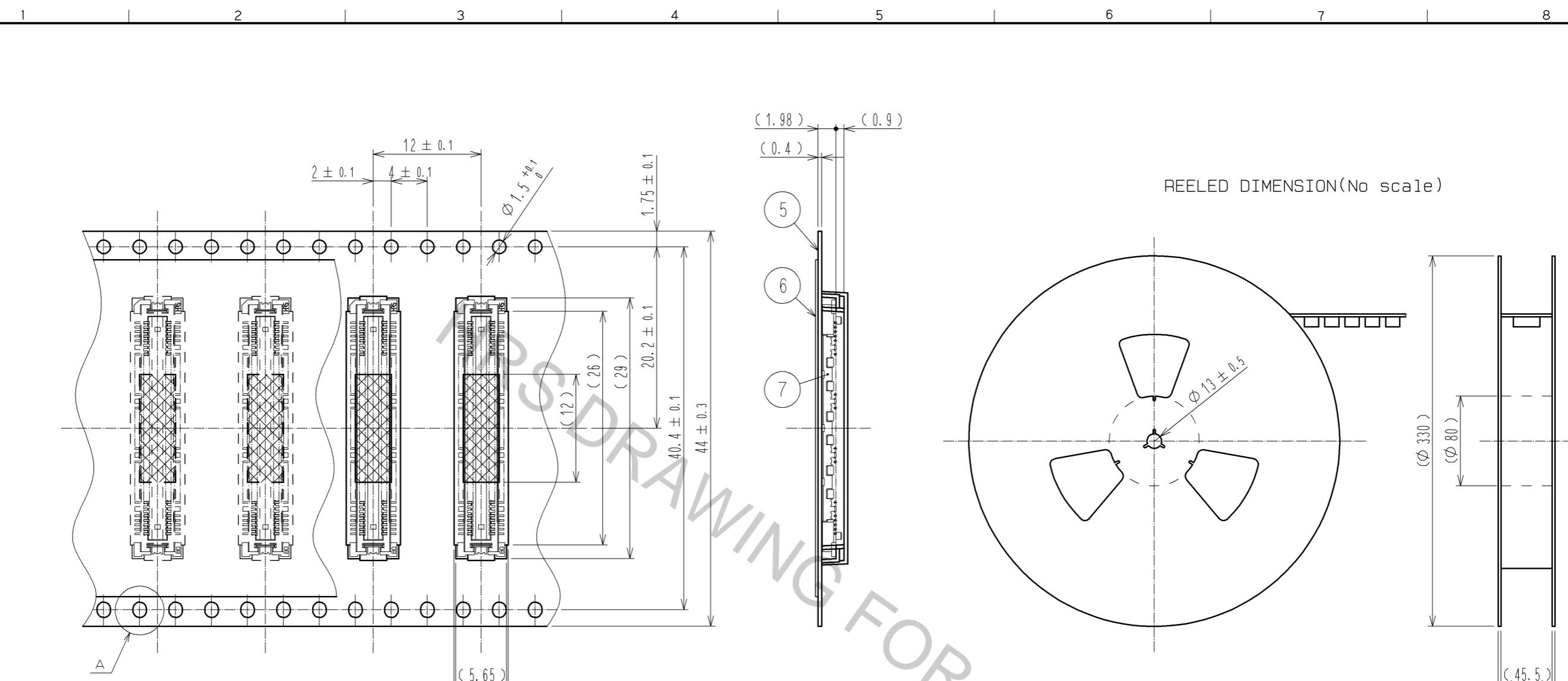
Aug.1.2018 Copyright 2018 HIROSE ELECTRIC CO., LTD. All Rights Reserved.
 In case that the application demands a high level of reliability, such as automotive,
 please contact a company representative for further information.



- NOTES
- 8 hatched parts: ground circuit.
 - SMT lead-coplanarity: 0.1 MAX.
 - This product has no polarity to pattern for mounting.
 - Make sure width of pattern is within that of land, or lead may touch pattern. (This applies to hatched area.)
 - Do not mount other devices onto area, or mating pair cannot be mated.
 - To be embossed carrier taped as specified in sheet 2.
 - The dimensions in parentheses are for reference.

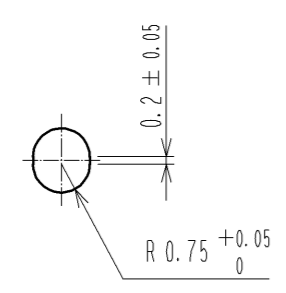
6	PET	TOP COVER TAPE	8	POLYIMIDE	(TAPE FOR VACUUM PICKUP)
5	PS	EMBOSSD CARRIER TAPE	7	(CONNECTOR)	
4	PHOSPHOR BRONZE	TIN-PLATING	2	COPPER ALLOY	CONTACT AREA: GOLD 0.1 μm min.
3	PHOSPHOR BRONZE	TIN-PLATING			LEAD AREA: GOLD 0.05 μm min.
1	LCP	BEIGE UL94V-0			UNDER PLATING: NICKEL 1 μm min.
NO.	MATERIAL	FINISH . REMARKS	NO.	MATERIAL	FINISH . REMARKS
UNITS mm		SCALE 5 : 1	COUNT △	DESCRIPTION OF REVISIONS	
DESIGNED		CHECKED		DATE	
APPROVED : HS. OKAWA			12.07.20		
CHECKED : HT. YAMAGUCHI			12.07.20		
DESIGNED : TS. OONO			12.07.19		
DRAWN : TS. OONO			12.07.19		
DRAWING NO.		EDC3-152093-22			
PART NO.		FX11LA-80P/8-SV(92)			
CODE NO.		CL573-0003-0-92			

Aug.1.2018 Copyright 2018 HIROSE ELECTRIC CO., LTD. All Rights Reserved.
 In case that the application demands a high level of reliability, such as automotive,
 please contact a company representative for further information.

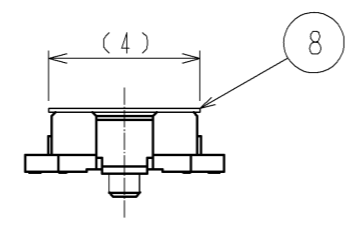


THE DIRECTION OF PULLING OUT →

A (5:1)



DETAIL FOR VACUUM PICKUP (5:1)



- NOTES
8. 1reel:1000 connectors.
 9. Minimum 10 compartments from both reel ends remain empty.
 10. This product has no polavity to tape and reel packaging.
 11. The dimensions in parentheses are for reference.

HRS	DRAWING NO.	EDC3-152093-22	△ 2/2
	PART NO.	FX11LA-80P/8-SV(92)	
	CODE NO.	CL573-0003-0-92	