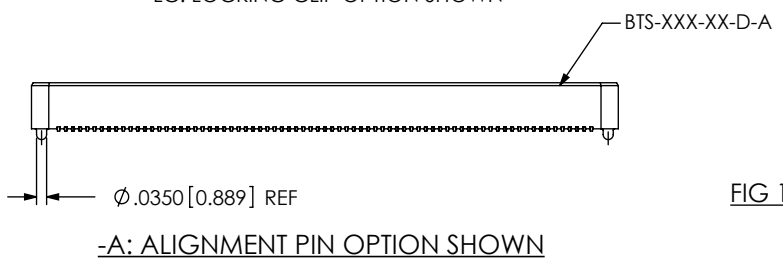
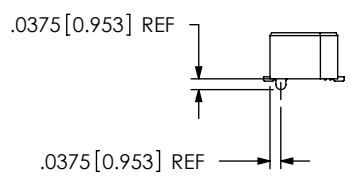
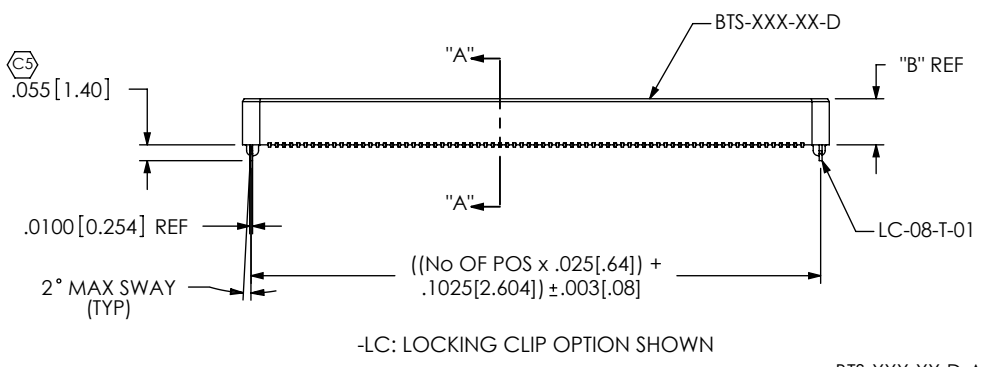
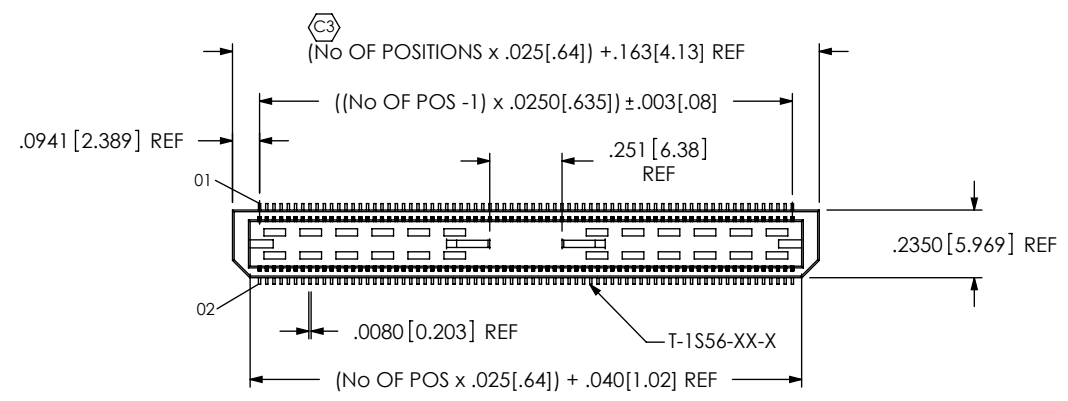


REVISION Q

DO NOT SCALE FROM THIS PRINT

TABLE 1					MATED HEIGHT WITH BSS
STYLE	"A"	"B" REF	BODY	TERMINAL	
-01	.1680[4.267]	.1600[4.064] REF	BTS-XXX-01-D-XX	T-1S56-01-X	.197[5.00] REF
* -02	.2861[7.267]	.2781[7.064] REF	BTS-XXX-02-D-XX	T-1S56-22-X	.315[8.00] REF

* NOT ENGINEERING APPROVED



BTS-XXX-XX-X-D-XX

No OF POSITIONS
 -025, -050, -075 (SEE NOTE 11),
 -100, -125, -150 (PER ROW)

BODY STYLE
 -01: .1680 [4.267]
 * -02: .2861 [7.268]
 * -03: .4042 [10.267]
 * -04: .6000 [15.240]

PLATING SPECIFICATION
 -F: FLASH SELECTIVE GOLD, MATTE TIN TAILS (USE T-1SXX-XX-F) (SEE NOTE 9)
 -L: LIGHT SELECTIVE GOLD, MATTE TIN TAILS (USE T-1SXX-XX-L)
 -H: HEAVY GOLD (USE T-1SXX-XX-H)

OPTION
 -A: ALIGNMENT PINS (SEE FIGS 1 & 4)
 -LC: LOCKING CLIPS (USE LC-08-T-01)
 -K: POLYIMIDE FILM PAD (USE K-DOT-.276-.375-.005, SEE FIG 2)
 -TR: TAPE & REEL (100 POS MAX)

ROW SPECIFICATION
 -D: DOUBLE (USE BTS-XXX-XX-D & BTSH-XXX-XX-D)

*** NOT ENGINEERING APPROVED (SEE NOTE 11)**

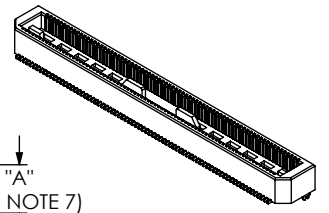
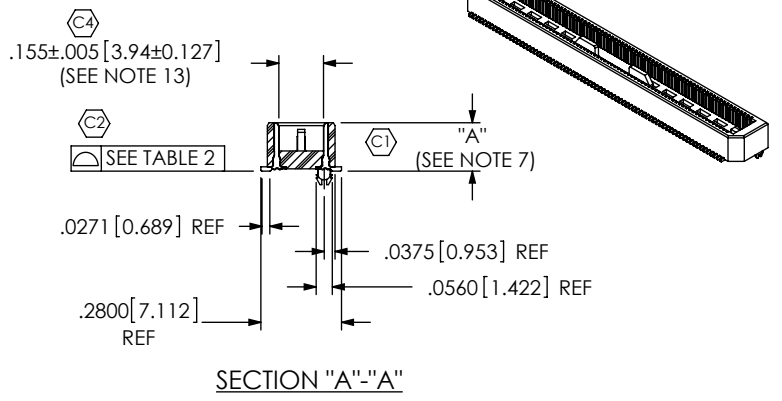


TABLE 2	
No OF POSITIONS	COPLANARITY
-025 THRU -075	.004[.10]
-100 THRU -150	.006[.15]

- NOTES:
- ⊙ REPRESENTS A CRITICAL DIMENSION.
 - COPLANARITY: SEE TABLE 2.
 - MAXIMUM BURR ALLOWANCE: .0015[.038].
 - MAXIMUM CUT FLASH: .010[.25].
 - MINIMUM PUSHOUT FORCE: 6 OZ.
 - MAXIMUM ALLOWABLE BOW: .002[.05] INCH/INCH AFTER ASSEMBLY.
 - MAXIMUM VARIANCE: .002[.05].
 - LEAD STYLES -03 & -04: TOP BODY (BTS) CANNOT HAVE -A OPTION.
 - L PLATING CAN BE SUBSTITUTED FOR -F PLATING.
 - ENGINEERING APPROVED BUT NOT RELEASED FOR SALE. RELEASE PENDING BSS-01 APPROVAL.
 - RELEASE FOR SALE THE -02 LEAD STYLE, IN -075 POSITION ONLY, FOR SPECIFIC CUSTOMER NEED.
 - NOTE DELETED.
 - PIN CAN EXTEND PAST WALL .003 [.08] MAXIMUM.

FIG 1


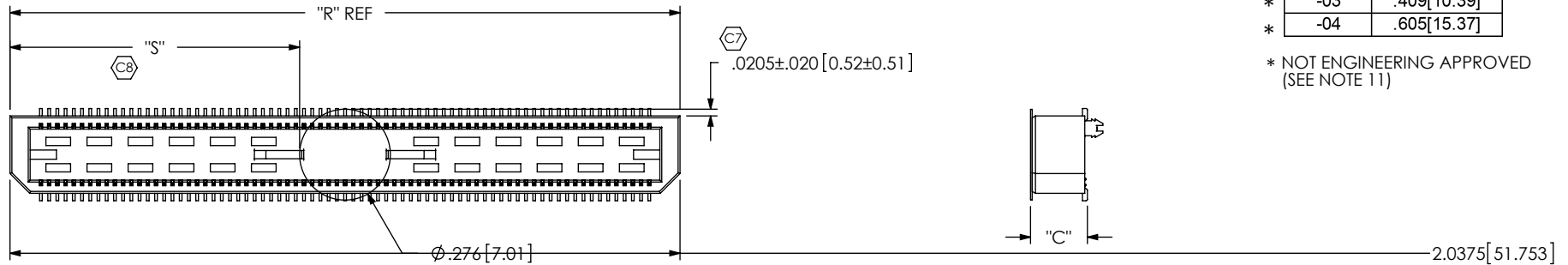
UNLESS OTHERWISE SPECIFIED, DIMENSIONS ARE IN INCHES. TOLERANCES ARE: DECIMALS ANGLES .XX: ±.01[.3] 2° .XXX: ±.005[.13] .XXXX: ±.0020[.051]	PROPRIETARY NOTE THIS DOCUMENT CONTAINS INFORMATION CONFIDENTIAL AND PROPRIETARY TO SAMTEC, INC. AND SHALL NOT BE REPRODUCED OR TRANSFERRED TO OTHER DOCUMENTS OR DISCLOSED TO OTHERS OR USED FOR ANY PURPOSE OTHER THAN THAT WHICH IT WAS OBTAINED WITHOUT THE EXPRESSED WRITTEN CONSENT OF SAMTEC, INC.	 520 PARK EAST BLVD, NEW ALBANY, IN 47150 PHONE: 812-944-6733 FAX: 812-948-5047 e-Mail: info@SAMTEC.com code: 55322	
		MATERIAL: DO NOT SCALE DRAWING SHEET SCALE: 1.5:1 INSULATOR: LCP, COLOR: BLACK FLAMMABILITY RATING: UL94V0 TERMINAL: PHOS BRONZE	DESCRIPTION: .635mm DOUBLE ROW SOCKET ASSEMBLY DWG. NO. BTS-XXX-XX-X-D-XX BY: DEAN P 06/24/1999 SHEET 1 OF 3

FIG 2

-K: POLYIMIDE FILM PAD
(USE K-DOT-.276-.375-.005)

TABLE 3	
STYLE	"C"
-01	.173[4.39]
* -02	.291[7.39]
* -03	.409[10.39]
* -04	.605[15.37]

* NOT ENGINEERING APPROVED
(SEE NOTE 11)

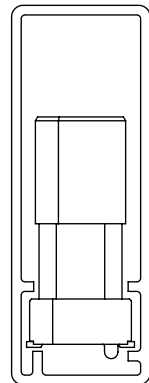


NOTE: "R" = (No OF POSITIONS x .0250[.635] + .1625[4.128])
"S" = (("R" - .276[7.01]) / 2) ± .020[.51]

PACKAGING VIEWS

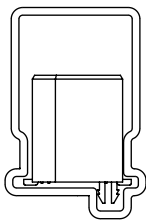
[PARTS TO HAVE POSITION #1 LOADED IN
SAME DIRECTION AS ARROW ON TUBE]

[STYLE -03 & -04]



TUBE: PT-1-24-01-98
PLUG: TP-26

[STYLE -01 & -02]



TUBE: PT-1-24-01-78
PLUG: TP-07

F:\DWG\MISC\MKTG\BTS-XXX-XX-X-D-XX-MKT.SLDDRW

PROPRIETARY NOTE

THIS DOCUMENT CONTAINS INFORMATION
CONFIDENTIAL AND PROPRIETARY TO
SAMTEC, INC. AND SHALL NOT BE REPRODUCED
OR TRANSFERRED TO OTHER DOCUMENTS OR
DISCLOSED TO OTHERS OR USED FOR ANY
PURPOSE OTHER THAN THAT WHICH IT WAS
OBTAINED WITHOUT THE EXPRESSED WRITTEN
CONSENT OF SAMTEC, INC.

DO NOT SCALE DRAWING

SHEET SCALE: 2:1



520 PARK EAST BLVD, NEW ALBANY, IN 47150
PHONE: 812-944-6733 FAX: 812-948-5047
e-Mail: info@SAMTEC.com code: 55322

DESCRIPTION: .635mm DOUBLE ROW SOCKET ASSEMBLY

DWG. NO. **BTS-XXX-XX-X-D-XX**

BY: DEAN P 06/24/1999 SHEET 2 OF 3

FIG 3
 BTS-075-03-X-D-LC SHOWN
 (SAME AS FIG 1, UNLESS OTHERWISE STATED)

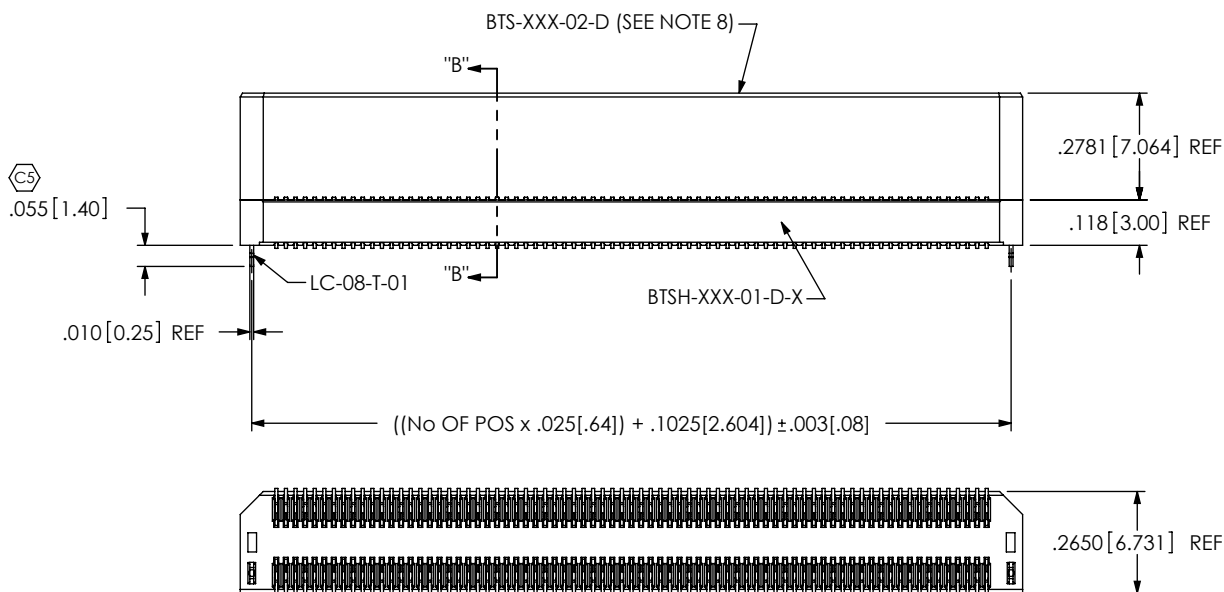
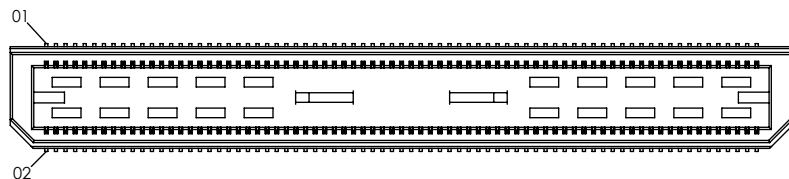
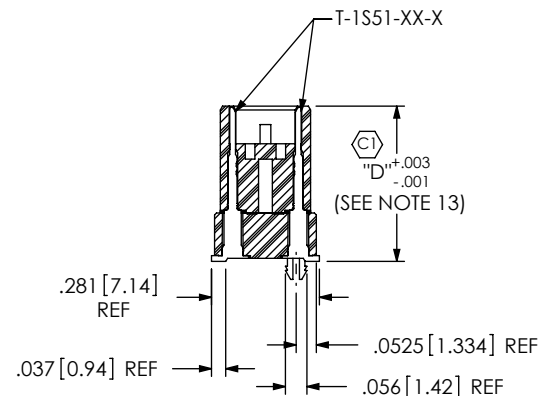


TABLE 4				MATED HEIGHT WITH BSS-01
STYLE	"D"	TERMINAL	BOTTOM SPACER BODY	
* -03	.4042 [10.267]	T-1S51-03-X	BTSH-XXX-01-D-X	.433 [11.00] REF
* -04	.6000 [15.240]	T-1S51-04-X	BTSH-XXX-01-D-X	.630 [16.00] REF

* NOT ENGINEERING APPROVED



SECTION "B"-"B"

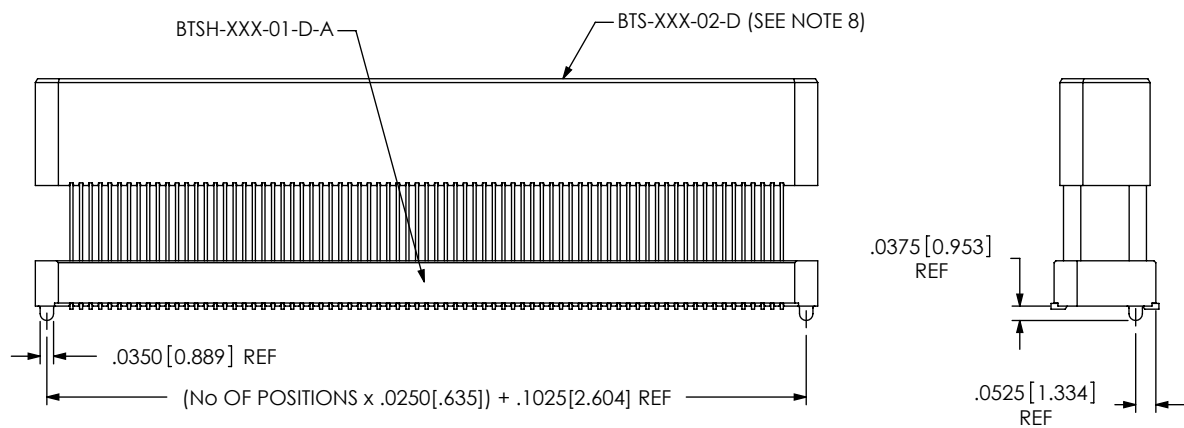


FIG 4

-A: ALIGNMENT PIN OPTION FOR -03 & -04 LEAD STYLES
 BTS-075-04-X-D-A SHOWN
 (SAME AS FIG 3, UNLESS OTHERWISE STATED)

PROPRIETARY NOTE

THIS DOCUMENT CONTAINS INFORMATION CONFIDENTIAL AND PROPRIETARY TO SAMTEC, INC. AND SHALL NOT BE REPRODUCED OR TRANSFERRED TO OTHER DOCUMENTS OR DISCLOSED TO OTHERS OR USED FOR ANY PURPOSE OTHER THAN THAT WHICH IT WAS OBTAINED WITHOUT THE EXPRESSED WRITTEN CONSENT OF SAMTEC, INC.

DO NOT SCALE DRAWING

SHEET SCALE: 2:1



520 PARK EAST BLVD, NEW ALBANY, IN 47150
 PHONE: 812-944-6733 FAX: 812-948-5047
 e-Mail: info@SAMTEC.com code: 55322

DESCRIPTION:
 .635mm DOUBLE ROW SOCKET ASSEMBLY

DWG. NO. **BTS-XXX-XX-X-D-XX**

BY: DEAN P 06/24/1999 SHEET 3 OF 3