

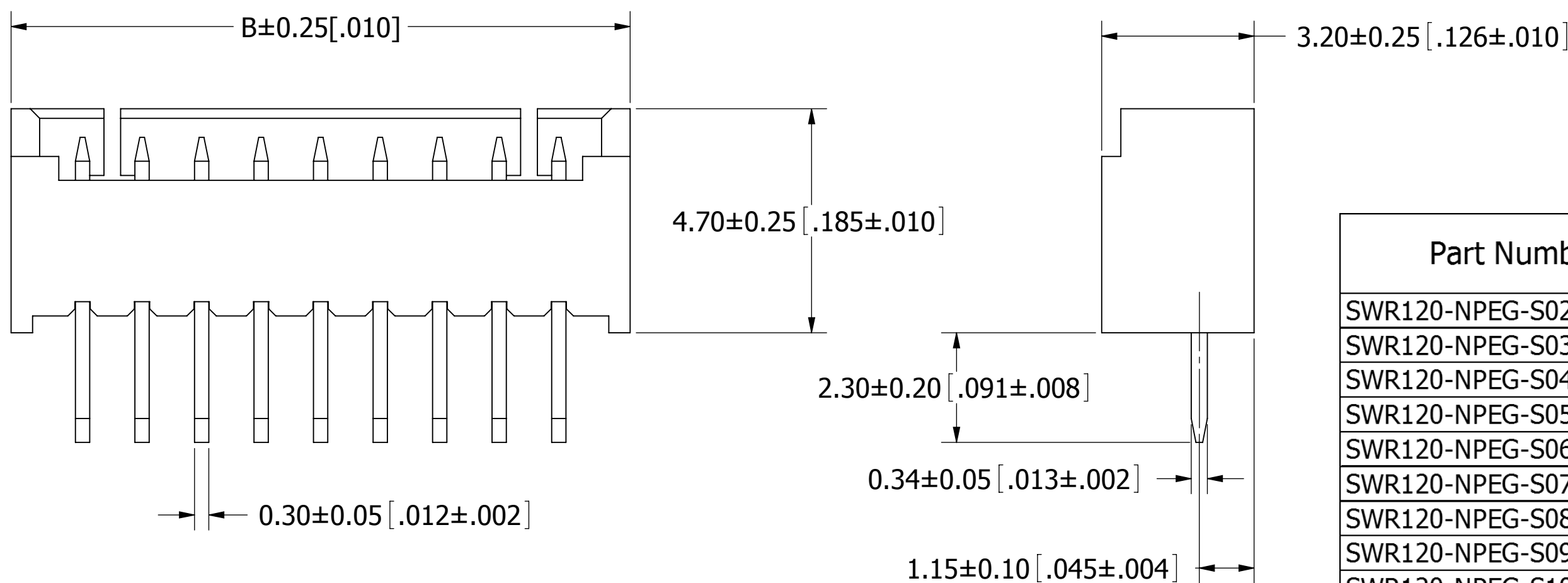
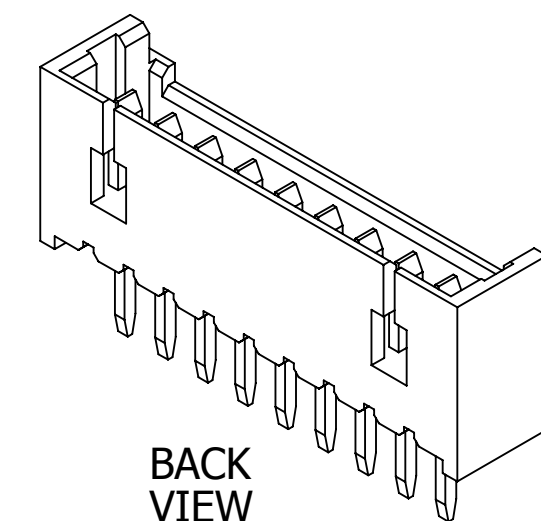
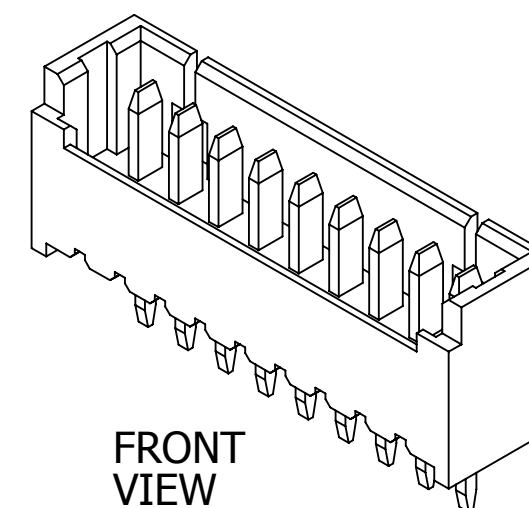
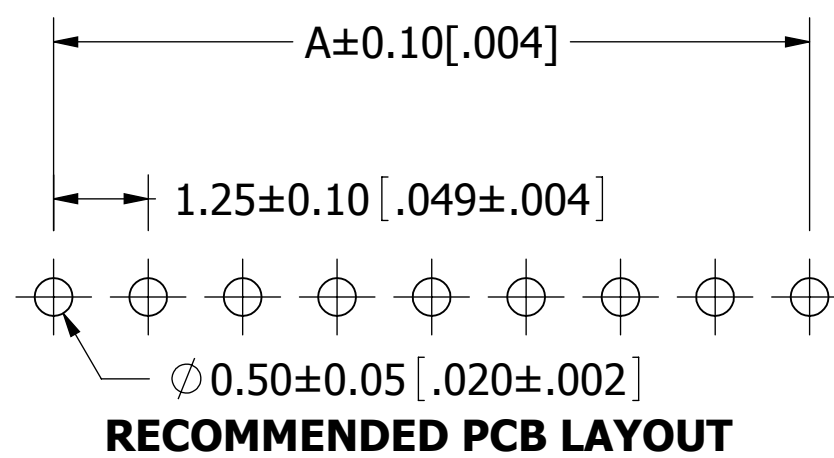
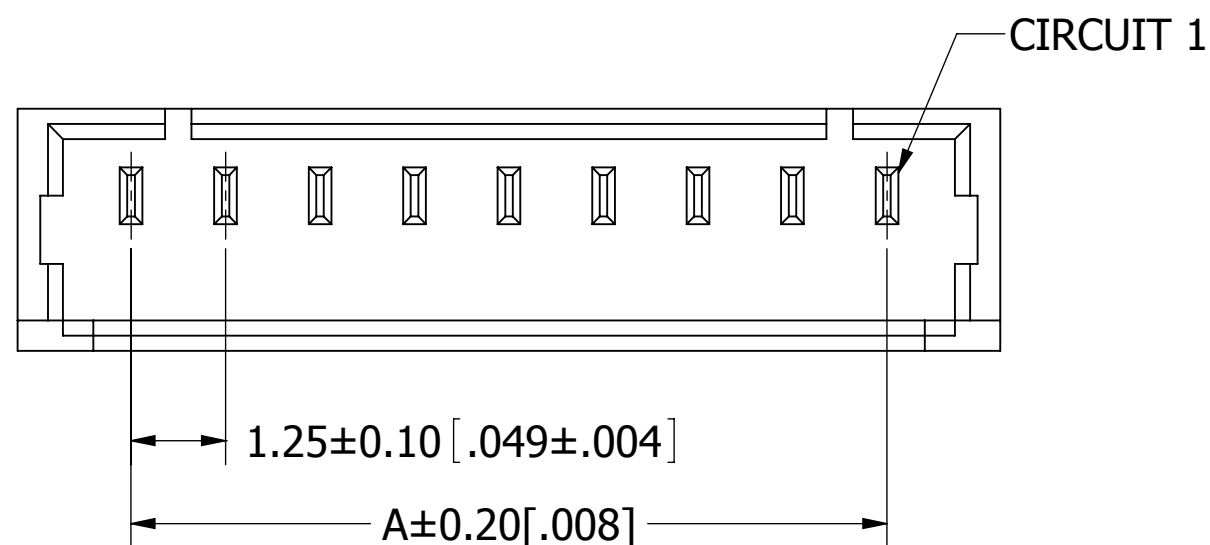
# PART NUMBER CODING

## SWR120-NPEG-S\_\_-ST-BG

**NUMBER OF POSITIONS**

(CONTACTS PER ROW)

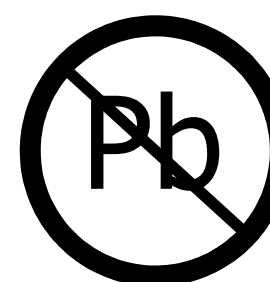
REVISIONS				
REV.	ECO. NO	DESCRIPTION	DATE	BY
A	2002	INITIAL RELEASE	7/17/2009	JH



Part Number	Positions/ Contacts	A		B	
		MM	INCH	MM	INCH
SWR120-NPEG-S02-ST-BG	02/02	1.25	0.049	4.25	0.167
SWR120-NPEG-S03-ST-BG	03/03	2.50	0.098	5.50	0.217
SWR120-NPEG-S04-ST-BG	04/04	3.75	0.148	6.75	0.266
SWR120-NPEG-S05-ST-BG	05/05	5.00	0.197	8.00	0.315
SWR120-NPEG-S06-ST-BG	06/06	6.25	0.246	9.25	0.364
SWR120-NPEG-S07-ST-BG	07/07	7.50	0.295	10.50	0.413
SWR120-NPEG-S08-ST-BG	08/08	8.75	0.344	11.75	0.463
SWR120-NPEG-S09-ST-BG	09/09	10.00	0.394	13.00	0.512
SWR120-NPEG-S10-ST-BG	10/10	11.25	0.443	14.25	0.561
SWR120-NPEG-S11-ST-BG	11/11	12.50	0.492	15.50	0.610
SWR120-NPEG-S12-ST-BG	12/12	13.75	0.541	16.75	0.659
SWR120-NPEG-S13-ST-BG	13/13	15.00	0.591	18.00	0.709
SWR120-NPEG-S14-ST-BG	14/14	16.25	0.640	19.25	0.758
SWR120-NPEG-S15-ST-BG	15/15	17.50	0.689	20.50	0.807

### NOTES:

- INSULATOR MATERIAL: NYLON6T, UL94V-0, COLOR:BEIGE.
- CONTACT MATERIAL: PHOSPHOR BRONZE.
- CONTACT PLATING: TIN OVERALL.
- CURRENT RATING: 1 AMP.
- VOLTAGE RATING: 125V AC/DC.
- INSULATOR RESISTANCE: 100 MEGOHMS MIN.
- CONTACT RESISTANCE: 20 MILLIOHMS MAX.
- DIELECTRIC WITHSTANDING VOLTAGE: 500V AC.
- OPERATING TEMPERATURE: -25° C TO +85° C.
- MATES WITH SWH120 SERIES SINGLE ROW HOUSING.



RoHS COMPLIANT

UNLESS OTHERWISE SPECIFIED:  
 DIMENSIONS ARE IN MM [INCHES]  
 TOLERANCES:  
 ANGULAR: ± 5°  
 .X= ± .3 [.01]  
 .XX= ± .15 [.006]  
 .XXX= ± .050 [.0020]  
 SURFACE FINISH: 63 R<sub>a</sub>  
 REMOVE ALL BURRS AND SHARP EDGES .010 MAX

INTERPRET DIMENSIONS AND GEOMETRIC TOLERANCING PER: ANSI Y14.5M-1994

DATE: 7/30/2009  
 NAME: JH  
 DRAWN: JH

THE INFORMATION HEREIN CONTAINS PROPRIETARY INFORMATION OF SULLINS ELECTRONICS AND IS NOT TO BE REPRODUCED, USED OR DISCLOSED TO OTHERS FOR ANY PURPOSE EXCEPT AS SPECIFICALLY AUTHORIZED IN WRITING BY AN OFFICER OF SULLINS ELECTRONICS.



DESCRIPTION: WAFER, 1.25mm CC, 1 ROW, ST

PART NUMBER: SWR120-NPEG-S\_\_-ST-BG

SIZE: C  
 DWG. NO.: 11292  
 REV: A

SCALE: 10:1 SHEET 1 OF 1