

NOTES:

1. Ⓢ REPRESENTS A CRITICAL DIMENSION.
2. LATCH RETENTION FORCE: 2.22N [.5LB]
3. PARTS TO BE PACKAGED IN TUBES.
4. MEASUREMENTS TO BE MEASURED IN ZONE A.

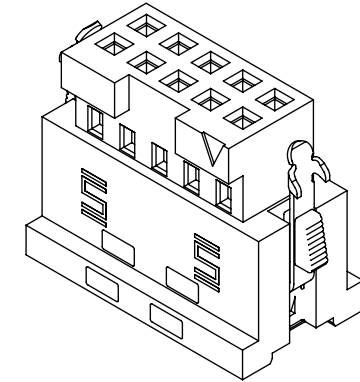
DESIGNED & DIMENSIONED  
IN MILLIMETERS[INCHES]

ISD2-XX-D-X

No OF POSITIONS  
-02 THRU -50  
(PER ROW)

OPTION  
-M: METAL RETENTION LATCH  
-S: DUAL SCREW DOWN

ROW SPECIFICATION  
-D: DOUBLE ROW



DO NOT  
SCALE FROM  
THIS PRINT

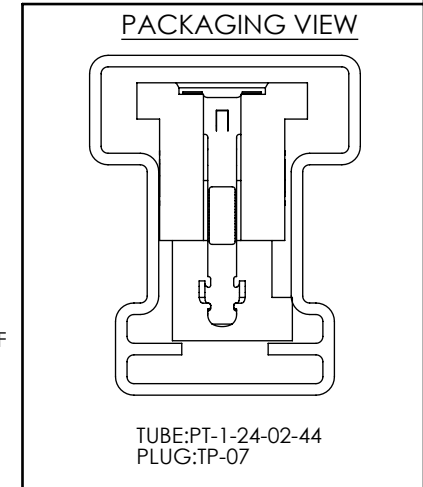
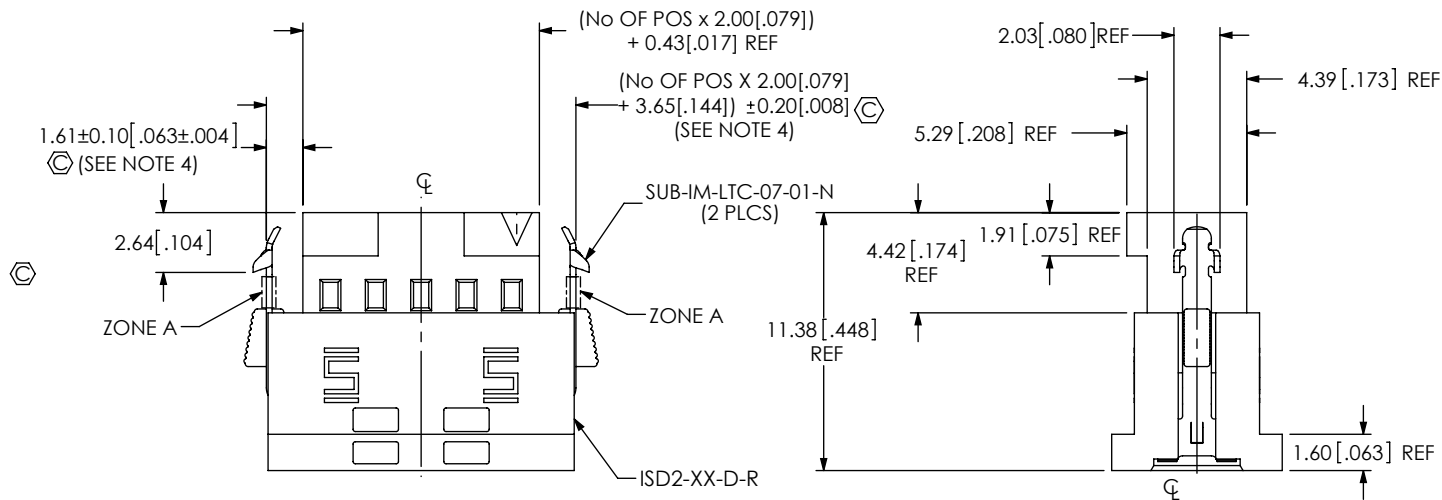
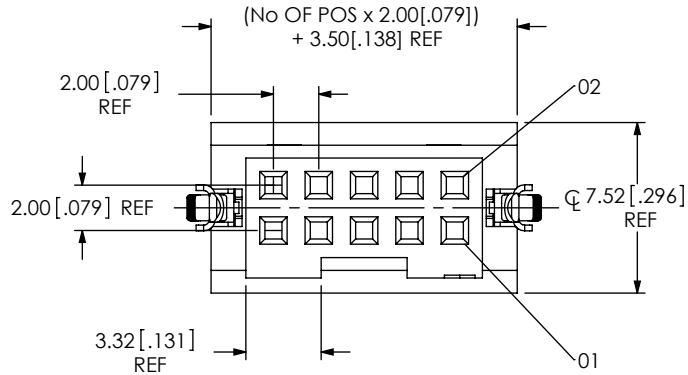


FIG 1  
ISD2-05-D-M SHOWN

UNLESS OTHERWISE SPECIFIED,  
DIMENSIONS ARE IN MILLIMETERS.  
TOLERANCES ARE:  
DECIMALS ANGLES  
X.X: ± 0.3[.01] 2°  
X.XX: ± 0.13[.005]  
X.XXX: ± 0.051[.0020]

PROPRIETARY NOTE  
THIS DOCUMENT CONTAINS INFORMATION  
CONFIDENTIAL AND PROPRIETARY TO  
SAMTEC, INC. AND SHALL NOT BE REPRODUCED  
OR TRANSFERRED TO OTHER DOCUMENTS OR  
DISCLOSED TO OTHERS OR USED FOR ANY  
PURPOSE OTHER THAN THAT WHICH IT WAS  
OBTAINED WITHOUT THE EXPRESSED WRITTEN  
CONSENT OF SAMTEC, INC.



520 PARK EAST BLVD. NEW ALBANY, IN 47150  
PHONE: 812-944-6733 FAX: 812-948-5047  
e-Mail: info@SAMTEC.com code 55322

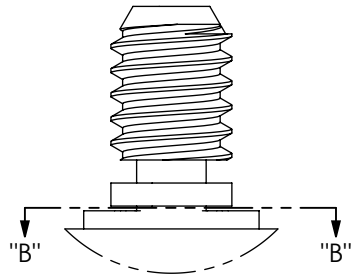
MATERIAL: DO NOT SCALE DRAWING SHEET SCALE: 3:1

INSULATOR: LCP, COLOR: BLACK  
LATCH STAMPING: BeCu  
LATCH OVERMOLDING: NYLON, COLOR: WHITE  
BUTTON: NYLON, COLOR: WHITE

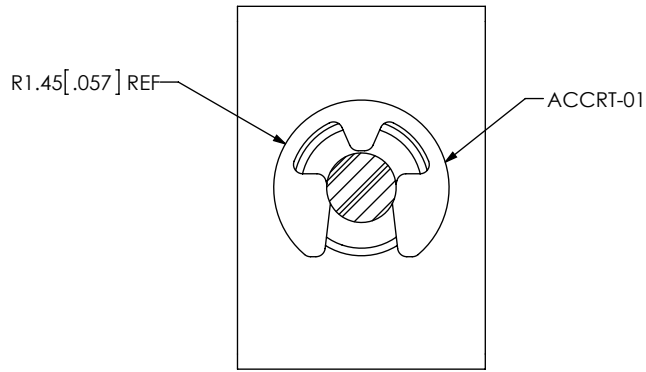
DESCRIPTION:  
2mm DISCRETE WIRE INSULATOR & LATCH ASM

DWG. NO. ISD2-XX-D-X

BY: J. BROWNING 02/22/2010 SHEET 1 OF 2

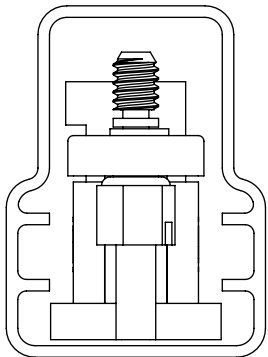


DETAIL 'A'  
SCALE 8 : 1



SECTION "B"-"B"  
SCALE 8 : 1

PACKAGING VIEW  
-S OPTION



TUBE:PT-SEAMP003-6  
PLUG:TP-07

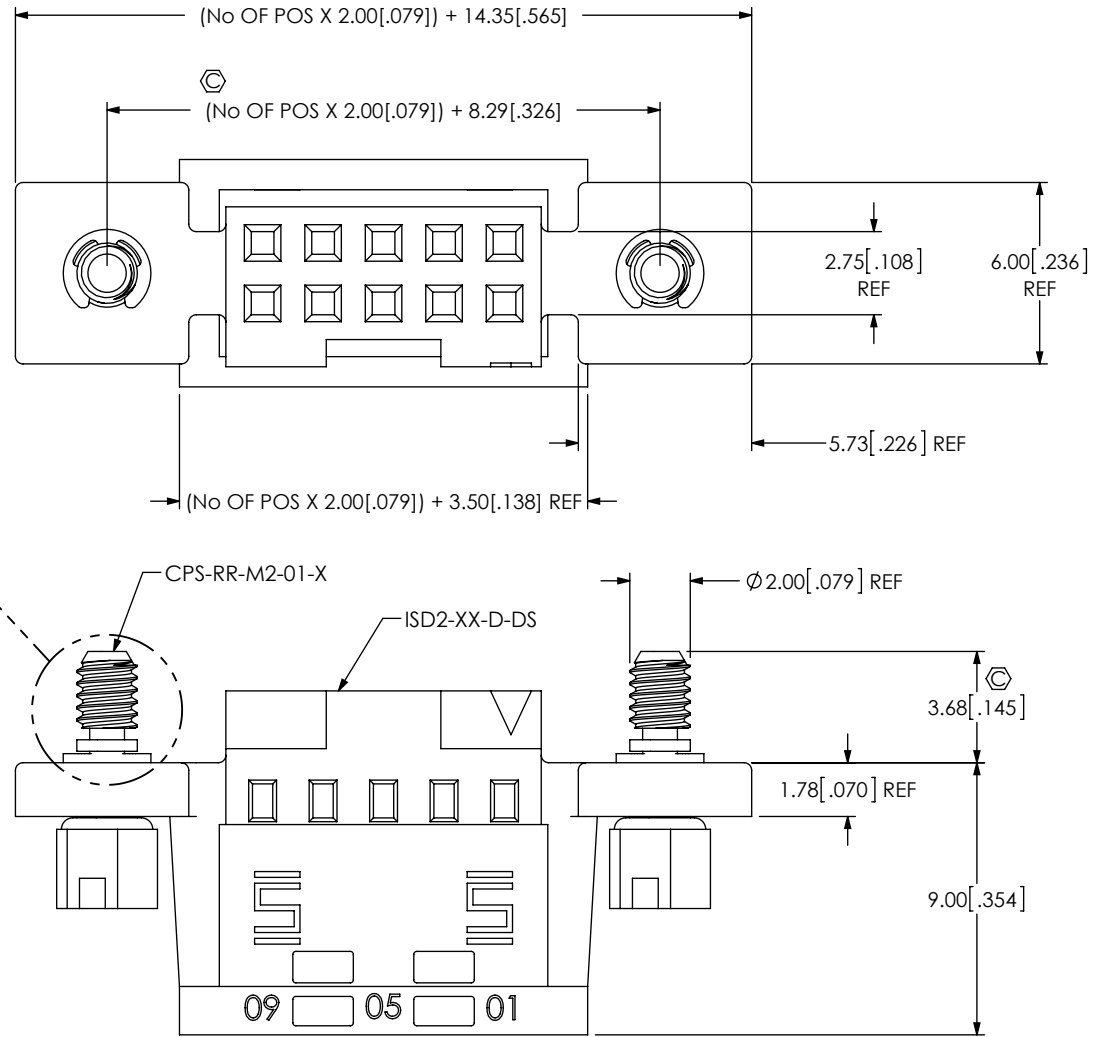


FIG 2  
-S: DUAL SCREW DOWN OPTION  
ISD2-05-D-S SHOWN  
(DIFFERENT AS SHOWN, OTHERWISE SAME AS FIG 1)

PROPRIETARY NOTE

THIS DOCUMENT CONTAINS INFORMATION CONFIDENTIAL AND PROPRIETARY TO SAMTEC, INC. AND SHALL NOT BE REPRODUCED OR TRANSFERRED TO OTHER DOCUMENTS OR DISCLOSED TO OTHERS OR USED FOR ANY PURPOSE OTHER THAN THAT WHICH IT WAS OBTAINED WITHOUT THE EXPRESSED WRITTEN CONSENT OF SAMTEC, INC.

DO NOT SCALE DRAWING

SHEET SCALE: 2:1



520 PARK EAST BLVD, NEW ALBANY, IN 47150  
PHONE: 812-944-6733 FAX: 812-948-5047  
e-Mail info@SAMTEC.com code 55322

DESCRIPTION:  
2mm DISCRETE WIRE INSULATOR & LATCH ASM

DWG. NO. ISD2-XX-D-X

BY: J. BROWNING 02/22/2010 SHEET 2 OF 2