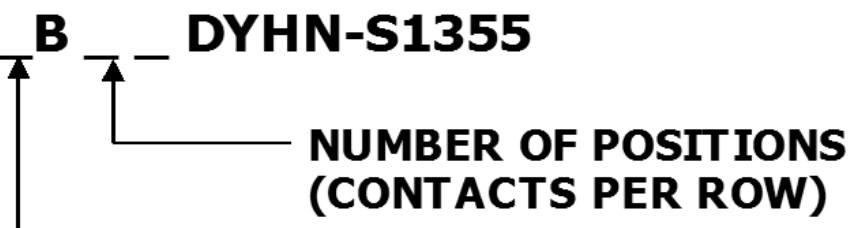


PART NUMBER	POSITIONS	A±.005 [±.13]		B±.005 [±.13]		C±.015 [±.38]	
		INCH	MM	INCH	MM	INCH	MM
_B05DYHN-S1355	5	0.200	5.08	0.300	7.62	0.425	10.80
_B06DYHN-S1355	6	0.250	6.35	0.350	8.89	0.475	12.07
_B10DYHN-S1355	10	0.450	11.43	0.550	13.97	0.675	17.15
_B15DYHN-S1355	15	0.700	17.78	0.800	20.32	0.925	23.50
_B20DYHN-S1355	20	0.950	24.13	1.050	26.67	1.175	29.85
_B25DYHN-S1355	25	1.200	30.48	1.300	33.02	1.425	36.20
_B30DYHN-S1355	30	1.450	36.83	1.550	39.37	1.675	42.55
_B40DYHN-S1355	40	1.950	49.53	2.050	52.07	2.175	55.25
_B50DYHN-S1355	50	2.450	62.23	2.550	64.77	2.675	67.95

REVISIONS				
REV.	ECO. NO	DESCRIPTION	DATE	BY
B	2214	ADD POSITION OPTIONS, UPDATE PCB HOLE SIZE TO .032 (WAS .040 MIN)	12/10/10	JH
C	2716	ADD 'G' & 'F' MATERIAL OPTION, 'M' PLATING, TOL FOR TAIL LENGTH	1/4/2013	JH
D	2940	ADD MATERIALS 'R' & 'A', ADD 'B' PLATING	3/21/2014	NC

PART NUMBER CODING



MATERIALS (INSULATOR/CONTACT)

R = PPS / PHOSPHOR BRONZE
 OPERATING TEMP: -65°C TO +125°C
 PROCESSING TEMP: 260°C MAX FOR 20 SECS

G = PA9T/PHOSPHOR BRONZE
 OPERATING TEMP: -65°C TO +125°C
 PROCESSING TEMP: 260°C MAX FOR 20 SECS

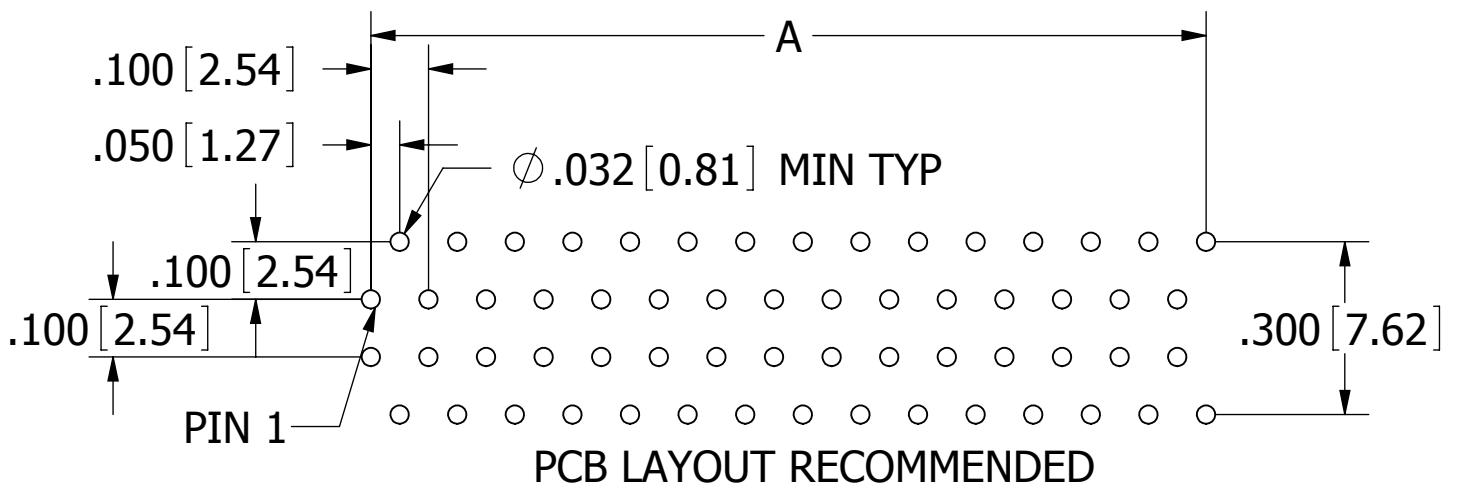
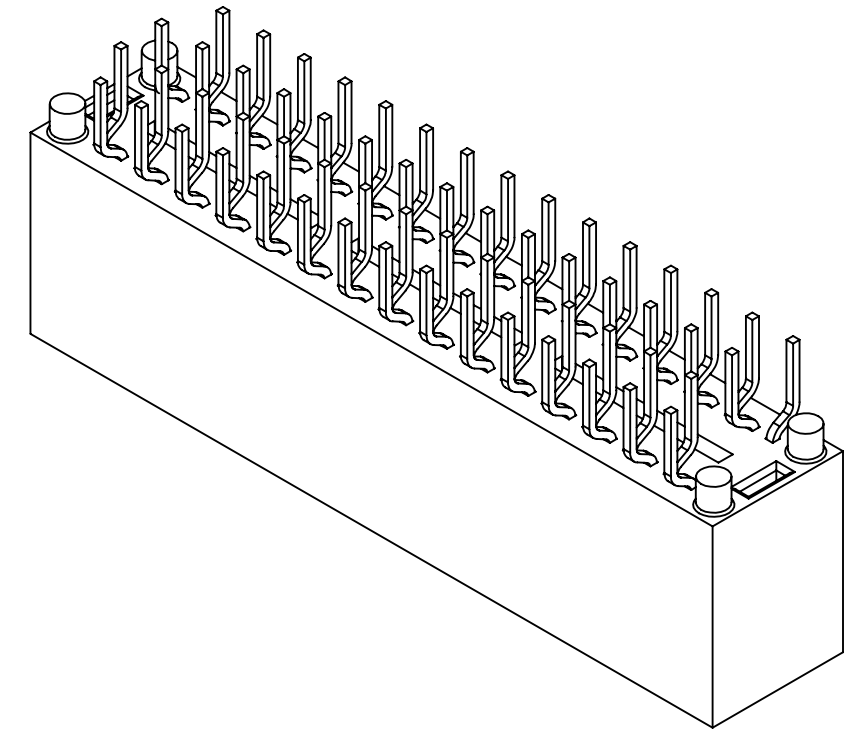
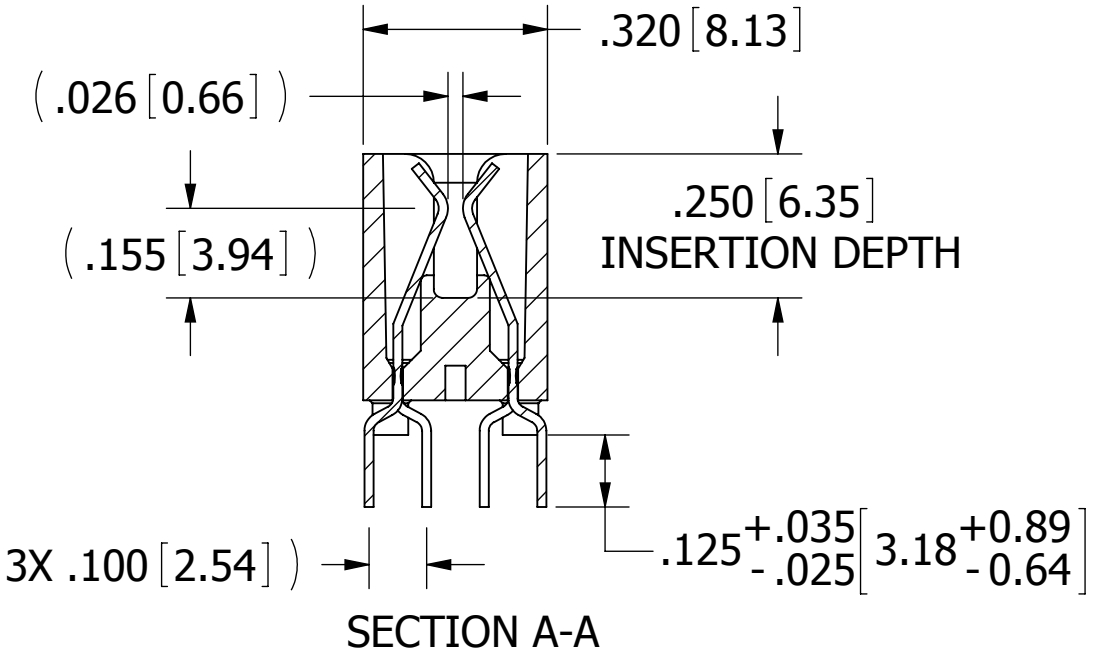
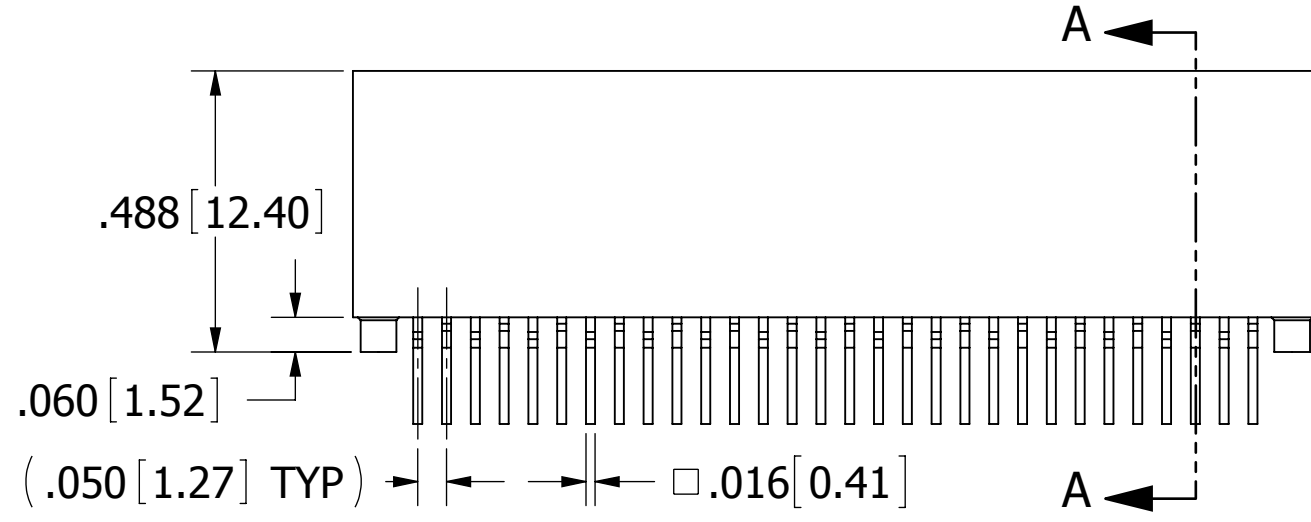
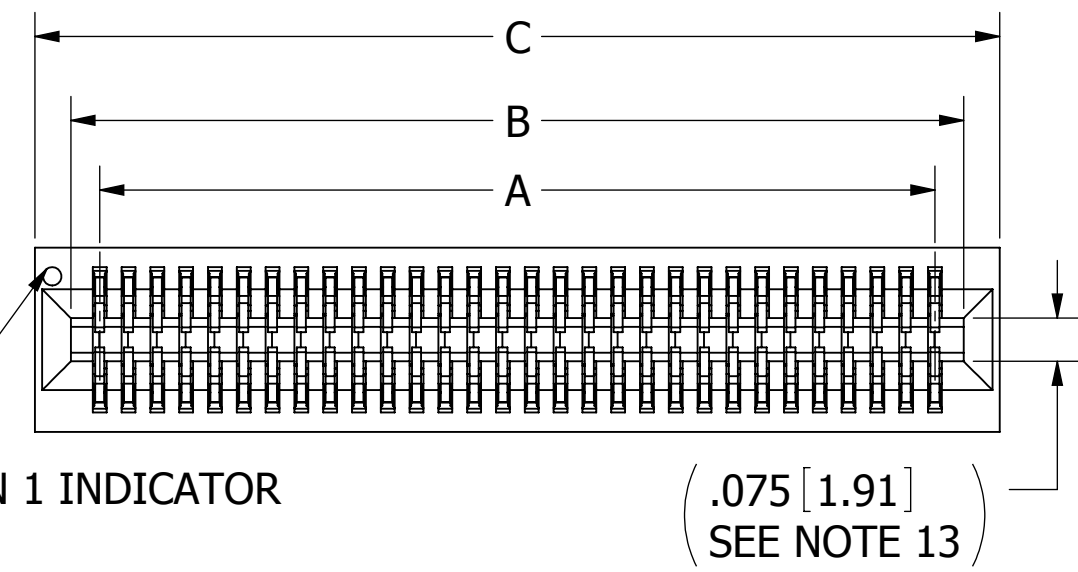
A = PPS/BERYLLIUM COPPER
 OPERATING TEMP: -65°C TO +150°C
 PROCESSING TEMP: 260°C MAX FOR 20 SECS

J = PA9T/BERYLLIUM COPPER
 OPERATING TEMP: -65°C TO +150°C
 PROCESSING TEMP: 260°C MAX FOR 20 SECS

F = PPS/SPINODAL**
 OPERATING TEMP: -65°C TO +200°C
 PROCESSING TEMP: 260°C MAX FOR 20 SECS
 AVAILABLE IN OVERALL GOLD ONLY ('M' PLATING CODE)
 ** CONSULT FACTORY FOR SPECIAL SOLDERING GUIDELINES

PLATING
 ALL PLATINGS HAVE .000050" MIN NICKEL UNDERPLATE

CONTACT SURFACE	TERMINATION
B = .000010" GOLD	.000100" PURE TIN, MATTE
C = .000030" GOLD	.000100" PURE TIN, MATTE
M = .000030" GOLD	.000010" GOLD OVERALL



- NOTES:**
- INSULATOR MATERIAL: SEE PART NUMBER CODING
 - CONTACT MATERIAL: SEE PART NUMBER CODING
 - PLATING: SEE PART NUMBER CODING
 - OPERATING TEMPERATURE: SEE PART NUMBER CODING
 - PROCESSING TEMP: SEE PART NUMBER CODING
 - UL FLAMMABILITY RATING: 94V-0
 - OPERATING VOLTAGE: 300 VAC MINIMUM AT SEA LEVEL
 - CURRENT RATING: 1 AMP
 - CONTACT RESISTANCE: 30 MILLI OHMS MAX
 - INSULATION RESISTANCE: 5000 MEGA OHMS
 - DURABILITY: 500 CYCLES MIN
 - CONNECTOR IDENTIFICATION: THE PART SHALL BE MARKED WITH A PART NUMBER AND LOT CODE
 - BOARD THICKNESS ACCOMMODATED: .062 ± .008 [1.57 ± 0.20]
 - INSERTION FORCE: 4 OZ MAX PER CONTACT PAIR WHEN USING A .062 [1.57] TEST BLADE
 - WITHDRAWAL FORCE: 3/8 OZ MIN PER CONTACT PAIR USING .062 [1.57] PCB
 - MODIFICATION: .488 INSULATOR HEIGHT, .320 WIDTH, .250 INSERTION DEPTH, SPECIAL FOOTPRINT. FIRST POSITION BOTH ROWS BENT IN, SECOND ROW BOTH ROWS BENT OUT. ALTERNATE IN AND OUT



UNLESS OTHERWISE SPECIFIED: DIMENSIONS ARE IN INCHES [MM]

TOLERANCES:
 ANGULAR: ± 1°
 DECIMALS
 .XX = ± .02 [.5]
 .XXX = ± .005 [.13]
 .XXXX = ± .0005 [.013]

DRAWN	DATE	NAME		
	10/10/12	JH		
<small>THE INFORMATION HEREIN CONTAINS PROPRIETARY INFORMATION OF SULLINS ELECTRONICS AND IS NOT TO BE REPRODUCED, USED OR DISCLOSED TO OTHERS FOR ANY PURPOSE EXCEPT AS SPECIFICALLY AUTHORIZED IN WRITING BY AN OFFICER OF SULLINS ELECTRONICS.</small>			TITLE .050" PITCH ULTRA THIN CONNECTOR	
			PART NUMBER _B_ DYHN-S1355	
SIZE	CAGE CODE	DWG. NO.	REV	
C	54453	C11238	D	
SCALE: 3:1		SHEET 1 OF 1		

CUSTOMER COPY