

THE INFORMATION CONTAINED HEREIN IS CONSIDERED "PROPRIETARY" TO BEL FUSE INC. AND SHALL NOT BE COPIED, REPRODUCED OR DISCLOSED WITHOUT THE WRITTEN APPROVAL OF BEL FUSE INC.

LED1 POLARITY			LED2 POLARITY		
PIN 9	PIN 10	COLOR	PIN 11	PIN 12	COLOR
+	-	GREEN	+	-	GREEN
-	+	ORANGE	-	+	ORANGE

RoHS



SCHEMATIC

ELECTRICAL CHARACTERISTICS @ 25°C

URNS RATIO

TX 1CT : 1
RX 1CT : 1

CL @ 100kHz/100mVRMS

8mA DC BIAS (0°C - 70°C) 350μH MIN.

INS. LOSS

1MHZ TO 100MHZ -1.1 dB MAX

RET. LOSS (MIN) @ 100ΩHMS ±15%

1MHZ-30MHZ -18 dB
30MHZ-60MHZ -18+20LOG(F/30MHZ) dB
60MHZ-80MHZ -12 dB

CROSS TALK (TX - RX)

100kHz-100MHZ -35 dB MIN

CM TO CM REJ

100kHz-100MHZ -30 dB MIN

CM TO DM REJ

100kHz-100MHZ -35 dB MIN

HIPOT (Isolation Voltage): 1500 Vrms

100% OF PRODUCTION TESTED TO COMPLY WITH IEEE 802.3 ISOLATION REQUIREMENTS.

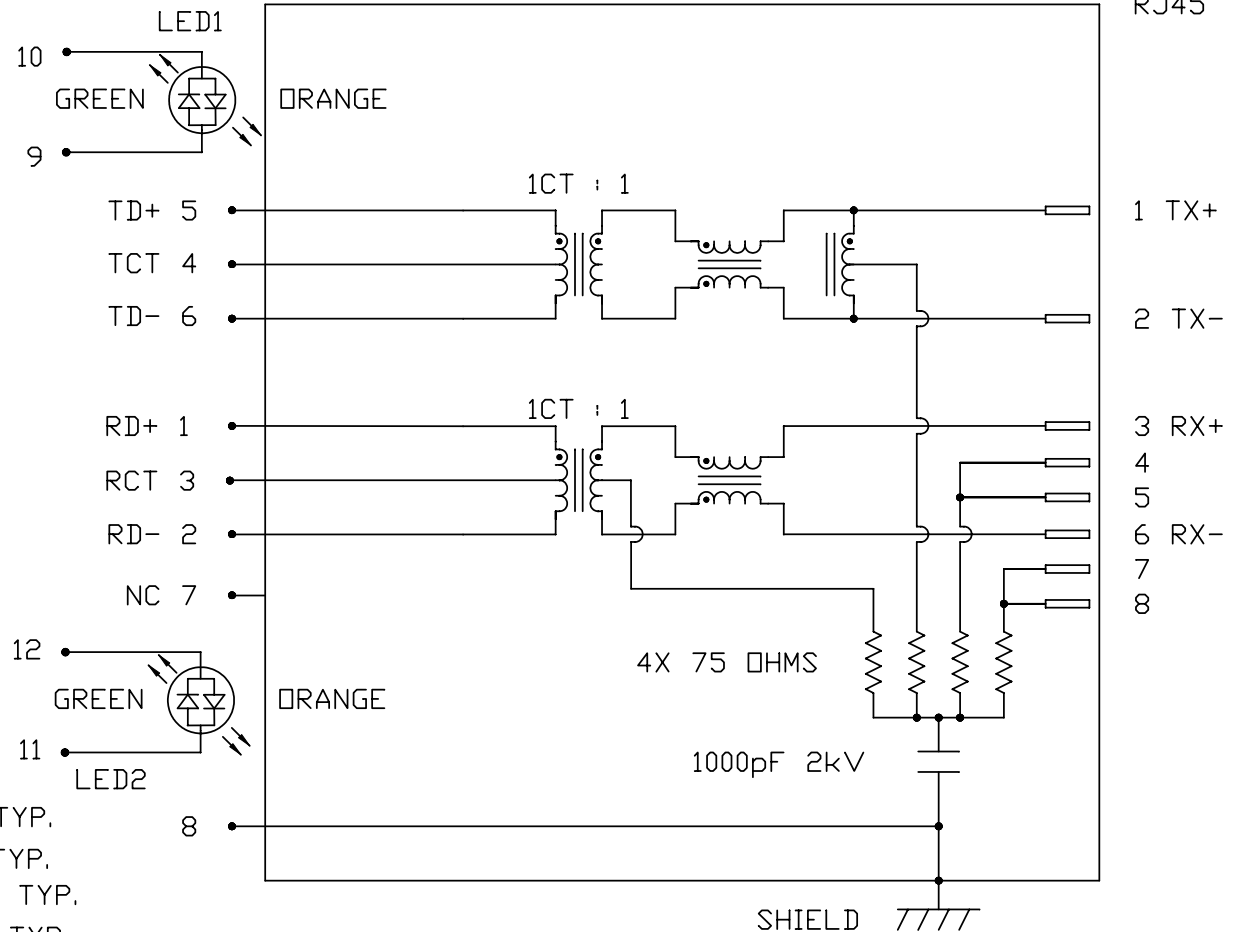
LED 1 & 2

VF (FORWARD VOLTAGE) IF=20mA GREEN 2.2V TYP.

ORANGE 2.0V TYP.

λD (DOMINANT WAVELENGTH) IF=20mA GREEN 565nm TYP.

ORANGE 610nm TYP.



ORIGINATED BY DATE
CHOW WANCHUNG 2012-08-23

TITLE
1X1 MagJack® WITH LEDs
PATENTED

PART NO. / DRAWING NO.
0875-1B1T-P1

FILE NAME
0875-1B1T-P1_B.DWG

STANDARD DIM. TOL. IN INCH
.X
.XX
.XXX

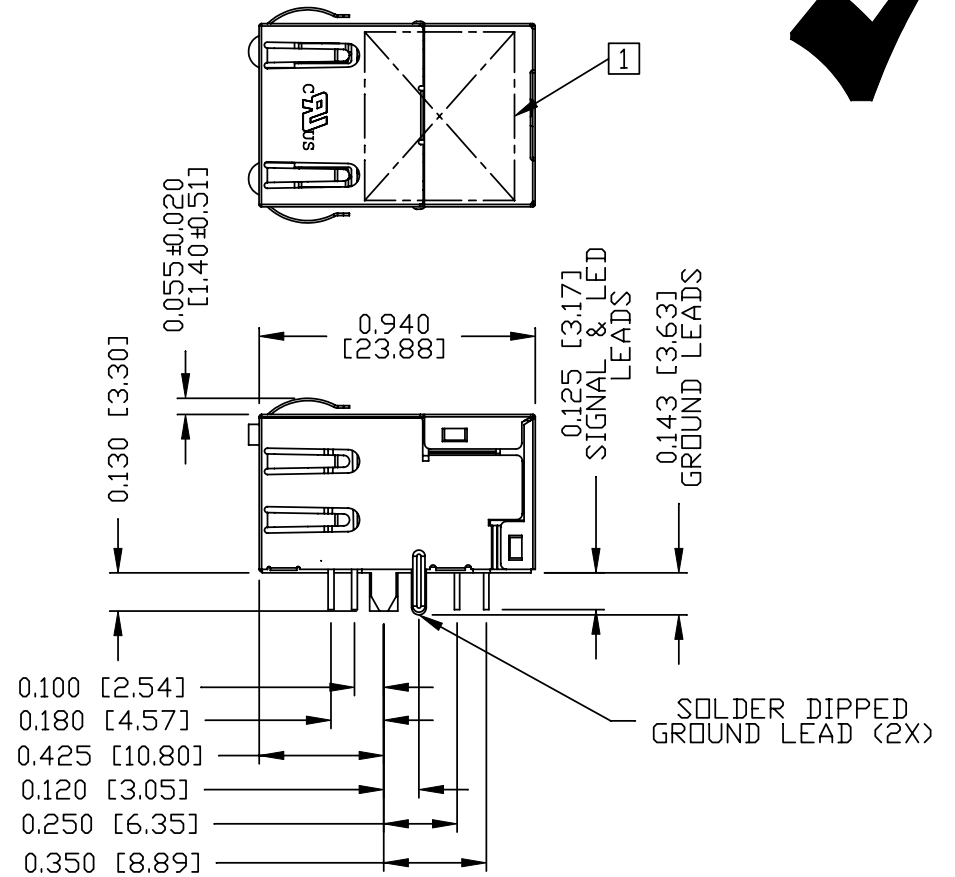
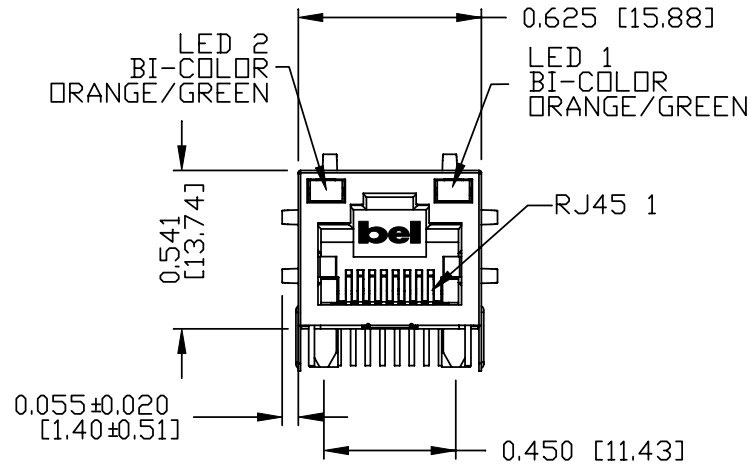
[] METRIC DIM. AS REFERENCE
UNIT : INCH [mm] REV. : B
SCALE : N/A SIZE : A4
PAGE : 2



THE INFORMATION CONTAINED HEREIN IS CONSIDERED "PROPRIETARY" TO BEL FUSE INC. AND SHALL NOT BE COPIED, REPRODUCED OR DISCLOSED WITHOUT THE WRITTEN APPROVAL OF BEL FUSE INC.

MECHANICAL SPECIFICATION

RoHS



NOTES:

- PLASTIC HOUSING: THERMOPLASTIC PBT.
FLAMMABILITY RATING UL 94V-0
- CONTACTS: 30 MICRO-INCH HARD GOLD PLATING OR EQUIVALENT.
- OUTPUT PINS: LEAD FREE COPPER WIRES, DIA 0.018 INCH.
- METAL SHIELD: NICKEL PLATED ON COPPER ALLOY.
(ALL GROUND LEADS ARE SOLDER DIPPED)

1. MARK PART WITH MFG LOGO, NAME, PART NUMBER, DATE CODE AND PATENTED.
2. THE PRODUCT IS RoHS COMPLIANT.

UL US UL RECOGNIZED - FILE #E196366 AND E169987.
 JACK CAVITY CONFORMS TO FCC RULES AND REGULATIONS.
 3. THE PRODUCT IS PATENTED. THE PATENT NUMBER ARE U.S. PAT. 5,736,910 AND U.S.PAT. 6,840,817.

ORIGINATED BY ANTON LIAO	DATE 2012-08-23	TITLE 1X1 MagJack® WITH LEDs PATENTED	PART NO. / DRAWING NO. 0875-1B1T-P1	STANDARD DIM. TOL. IN INCH	[] METRIC DIM. AS REFERENCE	
DRAWN BY HE ZHEN	DATE 2012-08-23		FILE NAME 0875-1B1T-P1_B.DWG	.X .XX .XXX	±0.010	UNIT : INCH [mm] SCALE : N/A

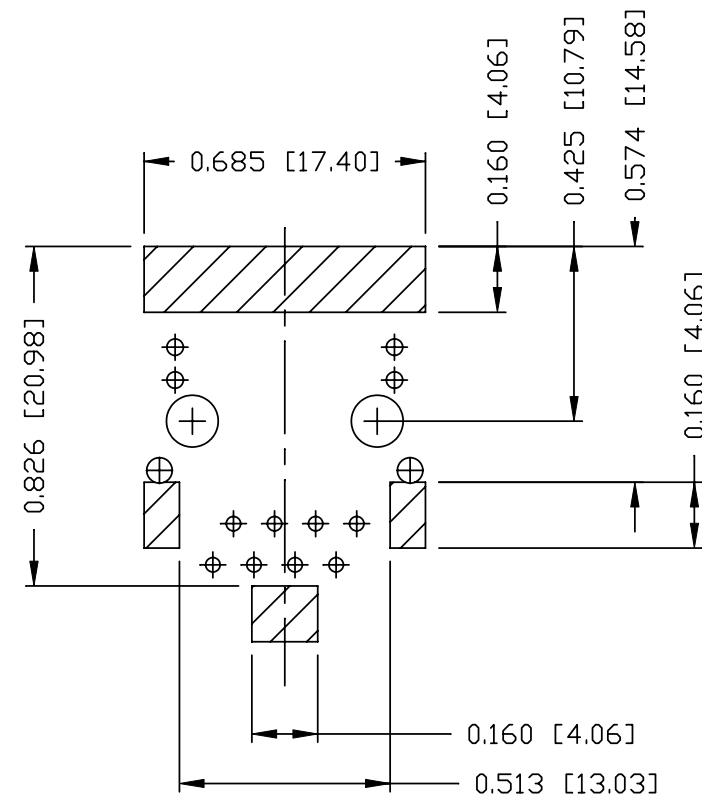
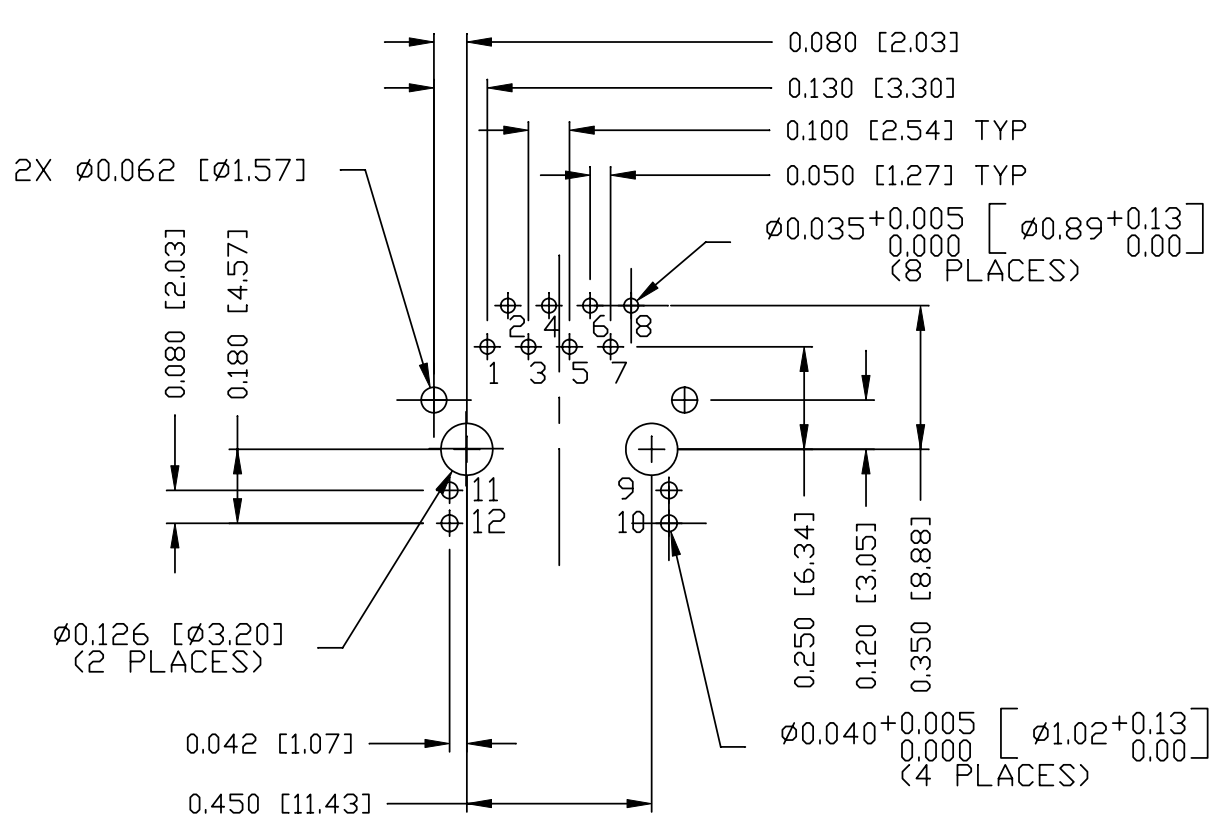


THE INFORMATION CONTAINED HEREIN IS CONSIDERED 'PROPRIETARY' TO BEL FUSE INC. AND SHALL NOT BE COPIED, REPRODUCED OR DISCLOSED WITHOUT THE WRITTEN APPROVAL OF BEL FUSE INC.

RoHS



RECOMMENDED PCB FOOTPRINT
COMPONENT SIDE VIEW



NOTE:

THE SHADED AREA ON THE CUSTOMER BOARD ARE RECOMMENDED TO BE CLEAR OFF ANY VIA HOLE OR COMPONENT PAD.

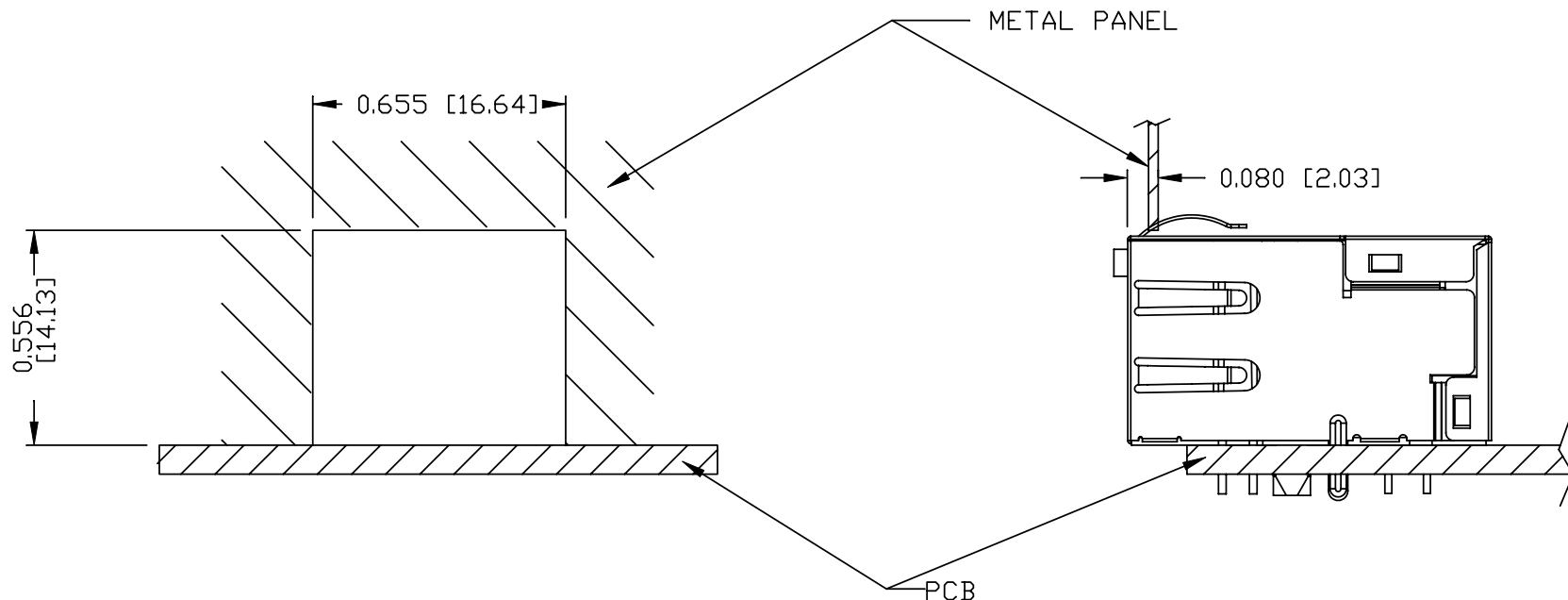
ORIGINATED BY ANTON LIAO	DATE 2012-08-23	TITLE 1X1 MagJack® WITH LEDs PATENTED	PART NO. / DRAWING NO. 0875-1B1T-P1	STANDARD DIM. TOL. IN INCH .X .XX .XXX	[] METRIC DIM. AS REFERENCE UNIT : INCH [mm] SCALE : N/A ±0.004	REV. : B SIZE : A4 PAGE : 4	 COMPONENTS FOR A CONNECTED PLANET
DRAWN BY HE ZHEN	DATE 2012-08-23	FILE NAME 0875-1B1T-P1_B.DWG					

THE INFORMATION CONTAINED HEREIN IS CONSIDERED "PROPRIETARY" TO BEL FUSE INC. AND SHALL NOT BE COPIED, REPRODUCED OR DISCLOSED WITHOUT THE WRITTEN APPROVAL OF BEL FUSE INC.

RoHS



SUGGESTED PANEL OPENING



NOTES:

THE DISTANCE OF PANEL INSIDE SURFACE RELATIVE TO FRONT SURFACE OF PART IS ONLY A SUGGESTION. IN CASE THIS DISTANCE IS DIFFERENT, THE REQUIRED PANEL OPENING DIMENSIONS CHANGE ACCORDINGLY.

PACKING INFORMATION

PACKING TRAY : 0200-9999-H7 (TOP)
0200-9999-H8 (BOTTOM)

PACKING QUANTITY : 60 PCS FINISHED GOODS PER TRAY
10 TRAYS (600 PCS FINISHED GOODS) PER CARTON BOX

NOTE : CARDBOARDS ARE PLACED BETWEEN LAYERS OF PACKING TRAY INSIDE CARTON BOX
(INCLUDE THE UPPERMOST AND LOWERMOST TRAY)

ORIGINATED BY ANTON LIAO	DATE 2012-08-23	TITLE 1X1 MagJack® WITH LEDs PATENTED	PART NO. / DRAWING NO. 0875-1B1T-P1	STANDARD DIM. TOL. IN INCH	[] METRIC DIM. AS REFERENCE	
	DRAWN BY HE ZHEN		DATE 2012-08-23	FILE NAME 0875-1B1T-P1_B.DWG	.X .XX .XXX	±0.004

