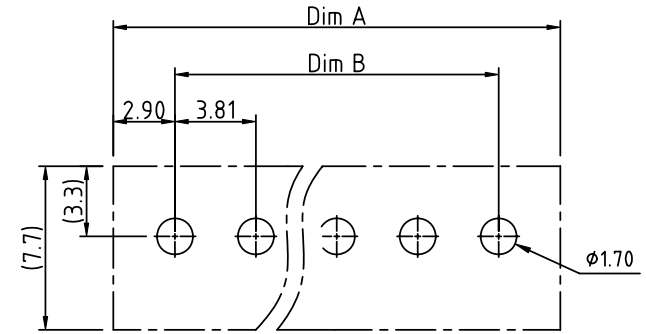
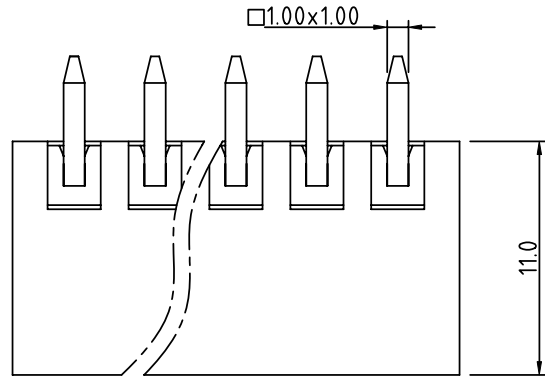
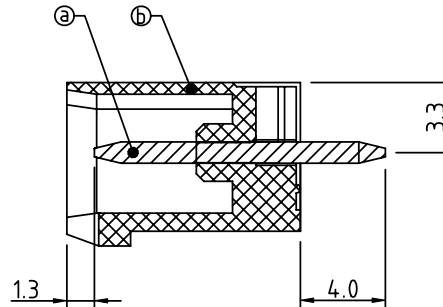
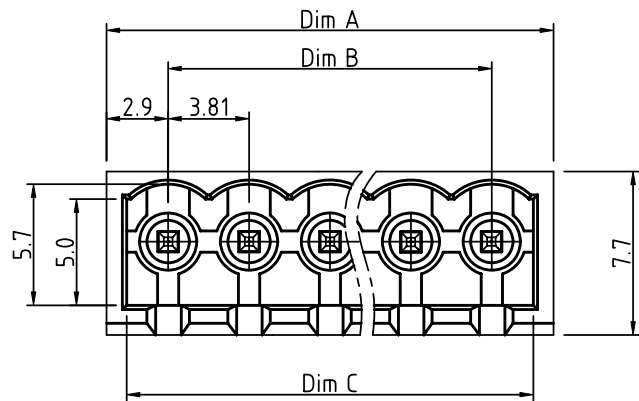


PRODUCT NUMBER	PITCH
VExx31x000J0G	3.81 mm



RECOMMENDED P.C.B LAYOUT
TOP VIEW



Material:

- Item (a) Contact pin: Copper, Tin plated
- Item (b) Terminal(housing): Thermoplastic (UL94V-0)

Electrical:

- cULus
- Voltage rating: 300V
- Current rating: 8A
- Withstanding Voltage: 1.6 KV
- Operating temperature: -40°C to +115°C
- Soldering temperature: 260°C±5°C/5 Sec
- Safety Approval:

DIMENSION

Dim A	$N \times 3.81 + 2$
Dim B	$(N-1) \times 3.81$
Dim C	$(N-1) \times 3.81 + 3.9$

N= Number of poles

Poles	Dim A	Dim B	Dim C
2P-5P	±0.15	+0.15 -0.0	
6P-10P	±0.20	+0.20 -0.0	
11P-15P	±0.25	+0.25 -0.0	
16P-20P	±0.30	+0.30 -0.0	
21P-24P	±0.35	+0.35 -0.0	

PART NO.: VE xx 31 x 0 00J0 G

Solid block	0	Black (RAL9005)	RoHS compliant (lead<4%) In copper Alloy
No. of poles	2	Red (RAL3001/D)	
02 2 poles	3	Orange(RAL2011/P)	
03 3 poles	4	Yellow(RAL1018/A)	
...	5	Green(RAL6018/T)	
24 24 poles	6	Blue (RAL5015/A)	
	8	Grey(RAL7035/D)	
	9	White(RAL1102)	
	C	Green(RAL6018/U)	

mat'l. code		surface ASME Y14.5	tolerance ASME Y14.5	projection 	product family TERMINAL BLOCK
ltr	ecn no	dr	date	tolerances unless otherwise specified	title TERMINAL BLOCK
				angles $X \pm 1^\circ$	PLUGGABLE SOCKET,CLOSE VERTICAL
				scale	MM
dr	EVIN ZHONG	042214			dwg no VExx31x000J0G
enr	EVIN ZHONG	042214			sheet 1 of 1
chr	HANKE FENG	042214			size A4
appd	SHI JUN	042214			type CUSTOMER Drawing
sheet index	revision sheet	A	1		