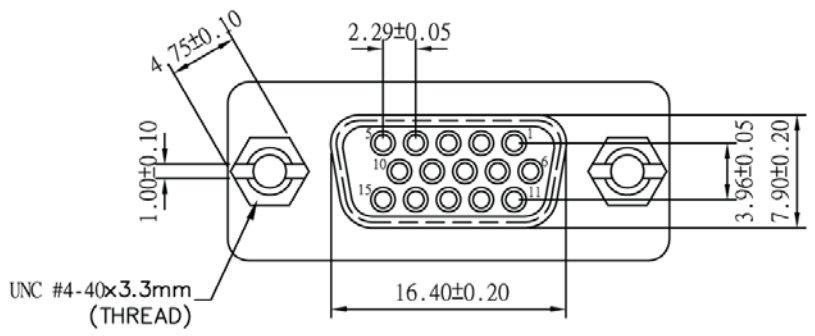
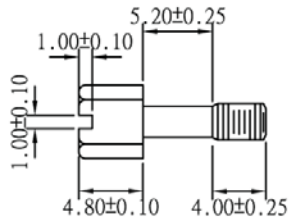


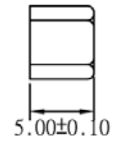
A



UNC #4-40 Hexscrew



UNC #4-40 Hexnut

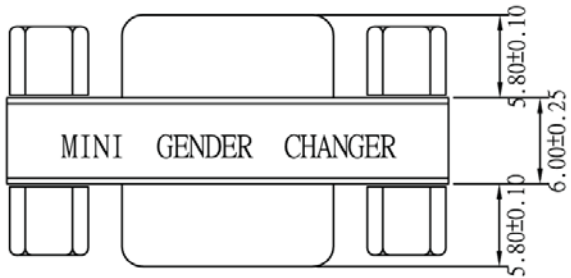


B

B

C

C



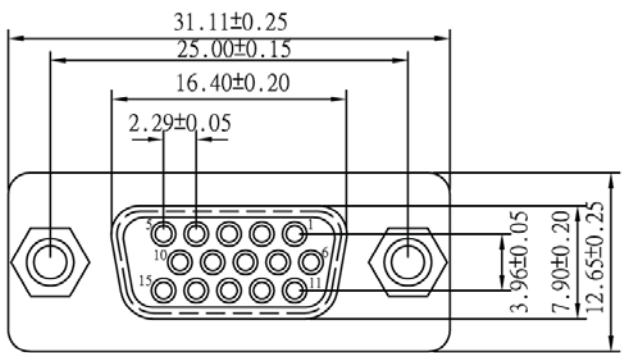
Pin Out	
15P-Female	15P-Female
1	1
2	2
8	8
10	10
14	14
15	15
G	G

D

D

E

E



Material:

- Insulator: PBT Glass fibre reinforced UL 94 V0
- Contact: Brass
- Contact plating: Gold plated over nickel
- Shell: Tin plated shell
- Yellow label with black characters

Unit: MM

G

G

Scale	1:1					Name	Item No.
TOLERANCE					Drawn	11.22.11	AB420
X.X	±0.40				Approved		
X.XX	±0.25						Title Mini Gender Changer - HD D-Sub 15 Pin Female <=> HD D-Sub 15 Pin Female
X.XXX	±0.15						Drawing No.
Angle	±3°						rev00
							Replace
							Sheet
		Modification	Date	Name			



H

H