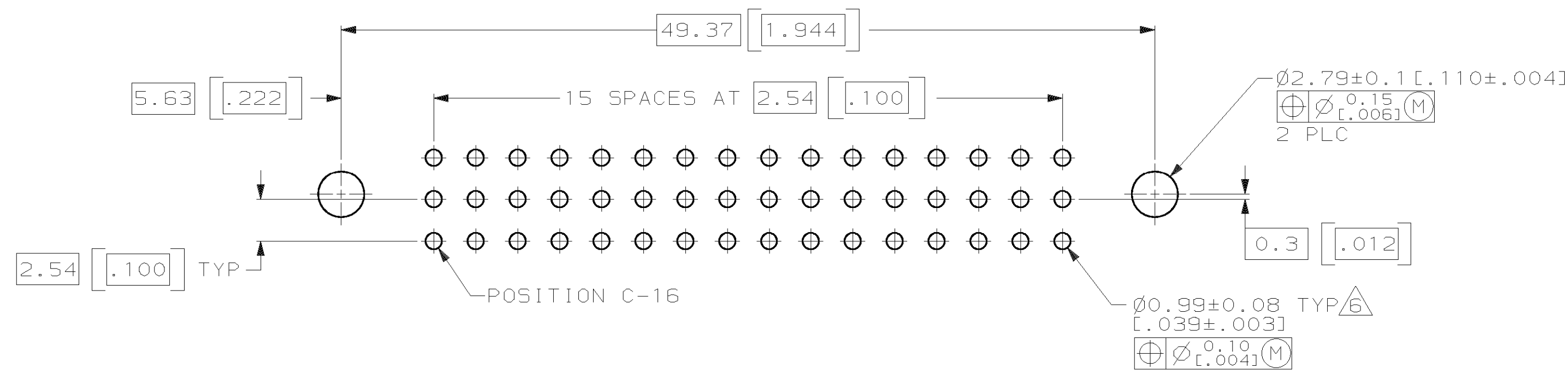
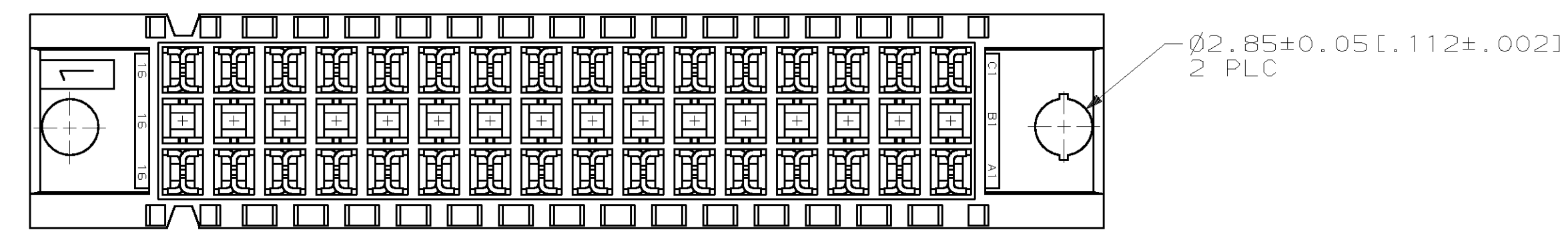
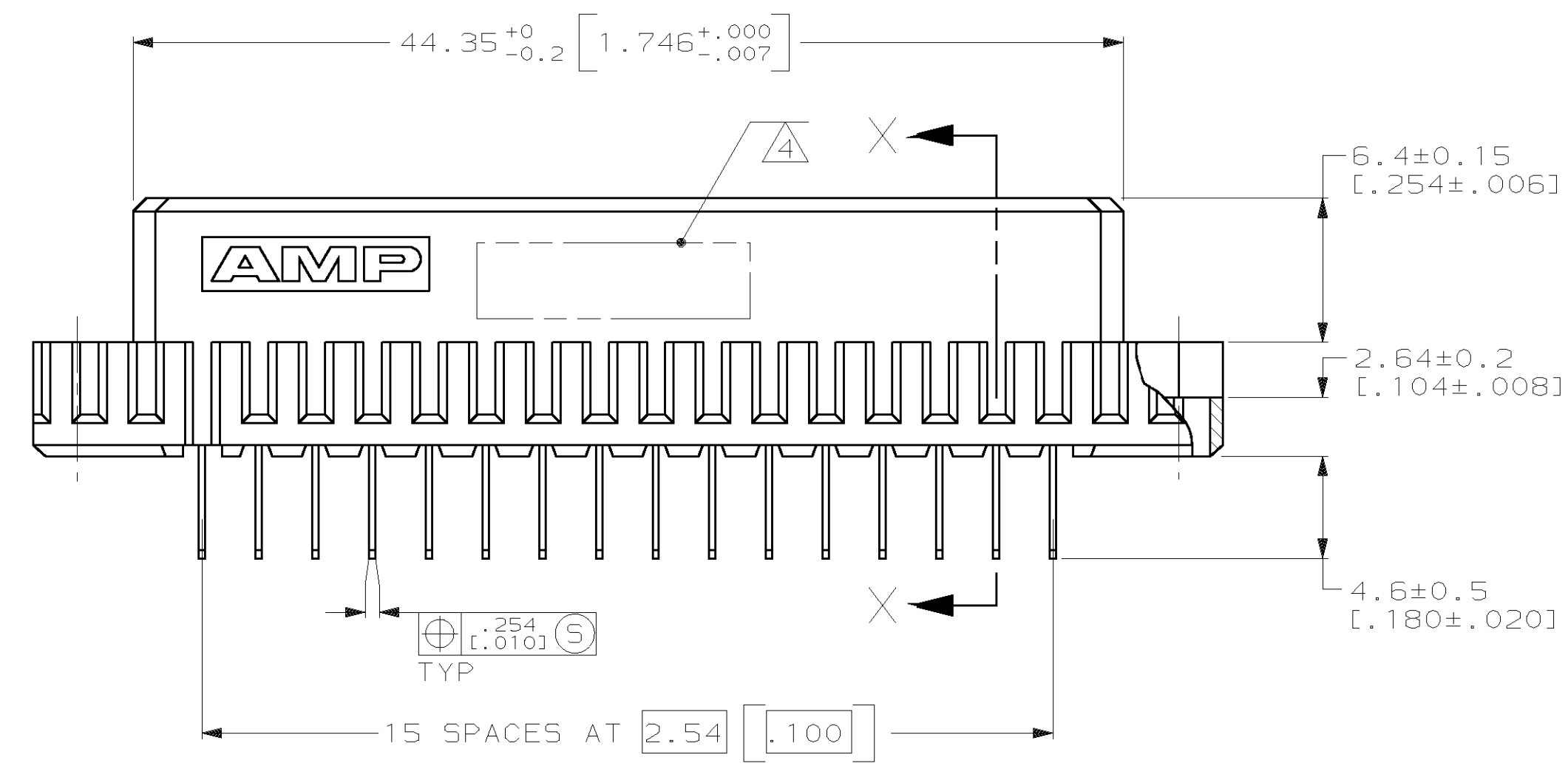
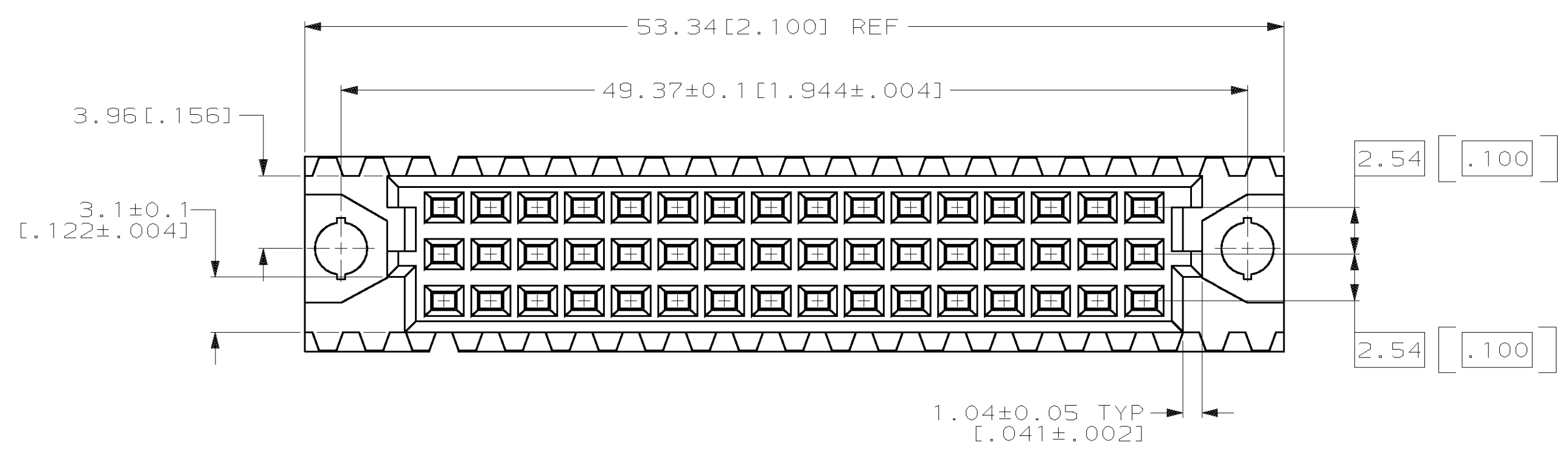
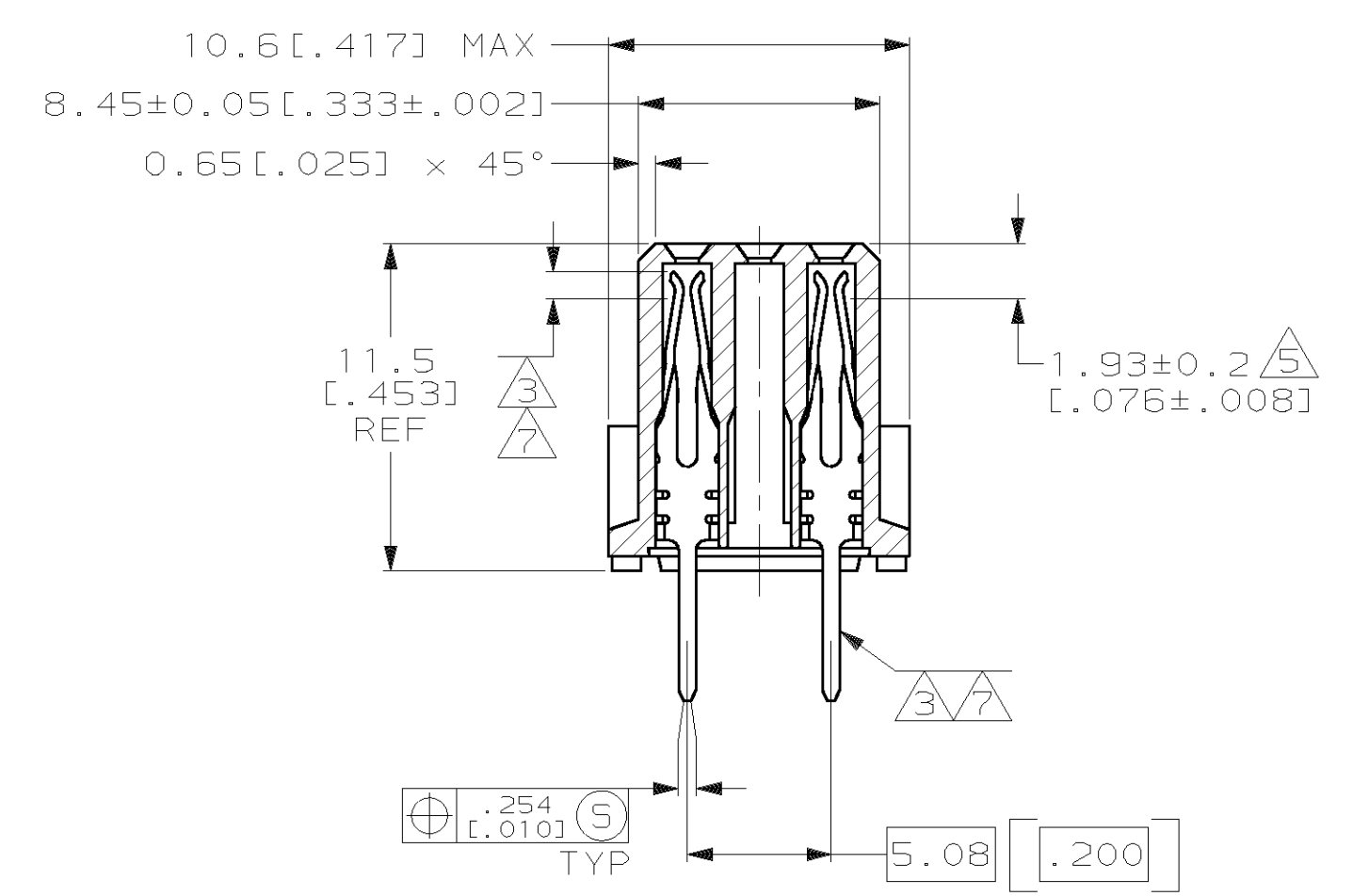


REVISONS		DATE	APPD
AD	25	12/13/96	CR
		09 JAN 01	CR



- 1 HOUSING MATERIAL: GLASS-FILLED POLYESTER. COLOR: GRAY.
- 2 CONTACT MATERIAL: PHOSPHOR BRONZE.
- 3 CONTACT FINISH: 0.00076[.000030] GOLD IN CONTACT AREA. 0.00127[.000050] NICKEL UNDERPLATE ALL OVER. TIN-LEAD ON POSTS.
- 4 PART NUMBER, DATE CODE IDENTIFICATION, CSA LOGO IN THIS APPROXIMATE AREA ON REVERSE SIDE.
- 5 POINT OF MEASUREMENT FOR GOLD.
- 6 RECOMMENDED HOLE SIZE FOR MANUAL APPLICATION OF CONNECTOR ONTO PC BOARD.
- 7 CONTACT FINISH: DIN 41612 CLASS 2 IN CONTACT AREA. TIN-LEAD ON POSTS.



SECTION X-X

POSITIONS LOADED	C	B	A	NO. OF LOADED POSITION	ASSY PART NUMBER
1 THRU 16	X	-	X	32	650466-5
1 THRU 16	X	-	X	32	650466-4

DO NOT SCALE PRINT. UNLESS SPECIFIED DIMENSIONS IN mm INCHES. TOLERANCES ON: 1 PLC DEC ±- 2 PLC DEC ±0.13[.005] ANGLES ±-	DR L. BRINER 3/12/90 CHK C. RICHARD 1/23/96 APPD C. RICHARD 1/23/96 MATERIAL HSG CONT	NAME C. RICHARD 1/23/96 C. RICHARD 1/23/96 PRODUCT SPEC -	AMP INCORPORATED Harrisburg, Pa. 17105	
FINISH CONT	APPLICATION SPEC -	SIZE D	FSCM NO 00779	DRAWING NO 650466
WEIGHT -	SCALE 4:1	SHEET 1 OF 1		