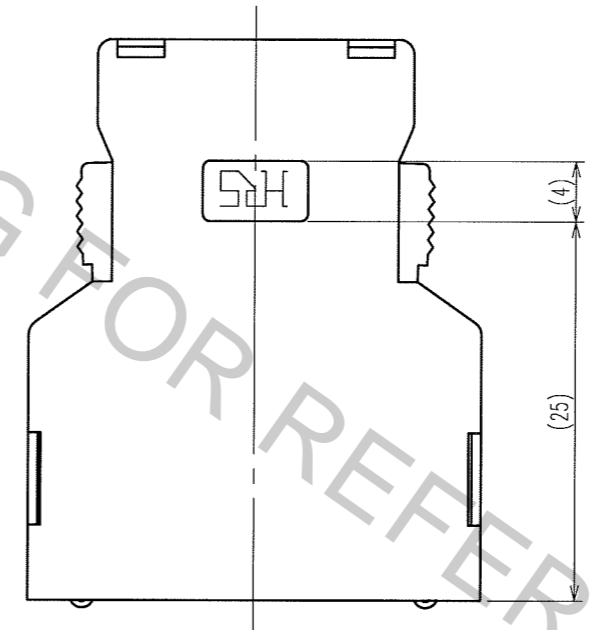
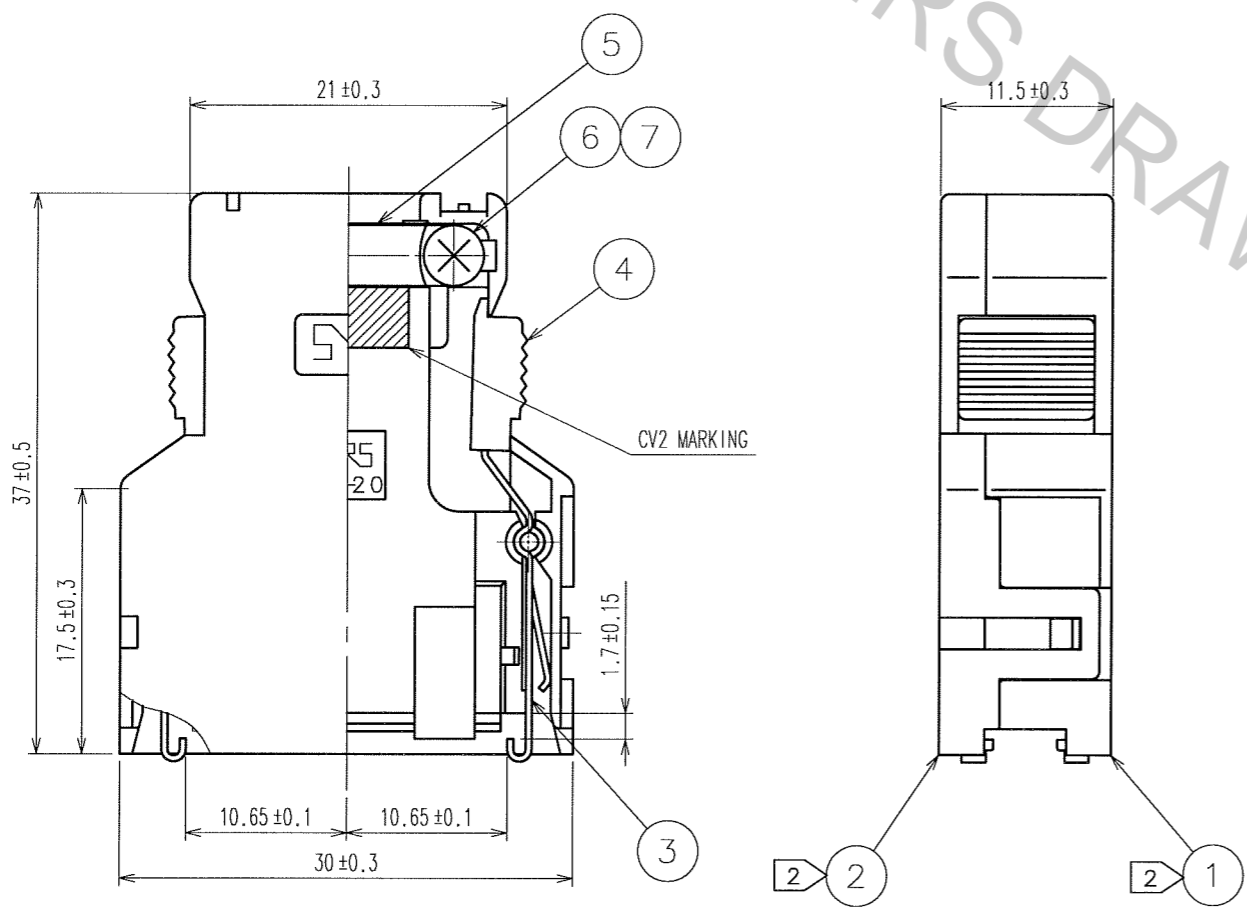
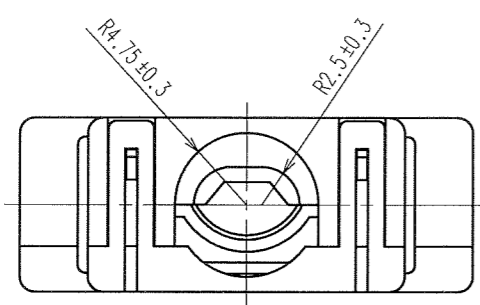


Apr.1.2017 Copyright 2017 HIROSE ELECTRIC CO., LTD. All Rights Reserved.

5					6					7					8				
COUNT	DESCRIPTION OF REVISIONS				BY	CHKD	DATE	COUNT	DESCRIPTION OF REVISIONS				BY	CHKD	DATE				
△							..	△							..				
△							..	△							..				
△							..	△							..				



HRS DRAWING FOR REFERENCE

NOTE 1 OUTER SURFACE OF COVER CASE PART No.①AND② EXCEPT FOR THE AREA OF HRS MARKING IS MATT FINISHED EQUIVALENT TO TH-117, TANAZAWA HAKKOSHA CO.,LTD.
 ② PART No.①AND② ARE NOT ASSEMBLED WHEN DELIVERED.
 3 DIMENSIONS IN PARENTHESES ARE SHOWN AS REFERENCES.
 4 OUTER DIAMETER OF APPLICABLE CABLE IS $\phi 6 \pm 0.5$.

4	POLYCARBONATE	(GRAY) UL94V-0	7	BRASS	NICKEL PLATING
3	STAINLESS STEEL		6	BRASS	NICKEL PLATING
2	POLYCARBONATE	(GRAY) UL94V-0	5	STAINLESS STEEL	
1	POLYCARBONATE	(GRAY) UL94V-0			
NO.	MATERIAL	FINISH, REMARKS	NO.	MATERIAL	FINISH, REMARKS

CODE NO. (OLD)	DRAWN	DESIGNED	CHECKED	APPROVED	RELEASED
	<i>G. Sato</i> 05.09.21	<i>T. Teraguchi</i> 05.10.03	<i>Y. Enami</i> 05.10.07	<i>H. Miwa</i> 05.10.13	..

SCALE 2 : 1 UNITS mm	DRAWING NO. EDC3-044566-01 HRS HIROSE ELECTRIC CO., LTD	PART NO. F1-20-CV2(50) CODE NO. CL230-0504-2-50	1/1
-------------------------------	---	--	-----

TO
Q