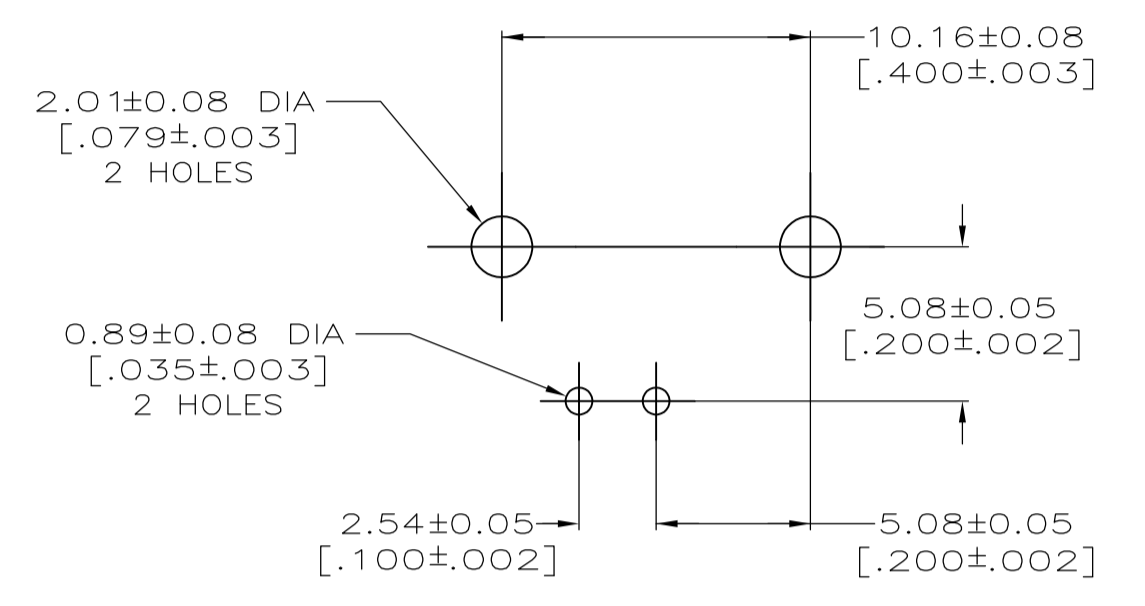
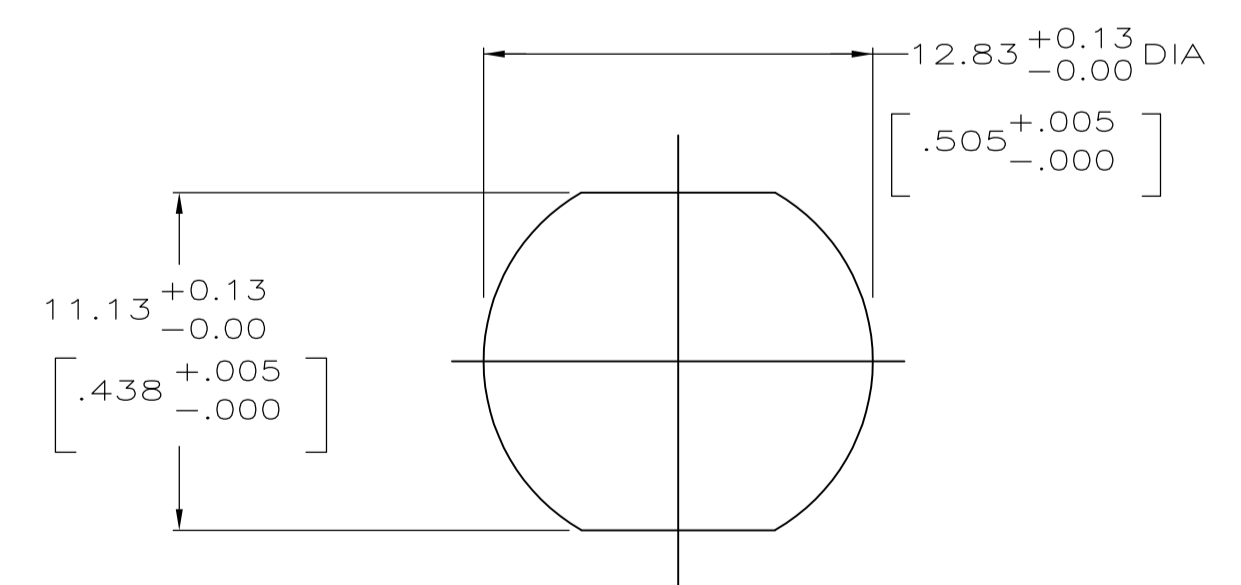
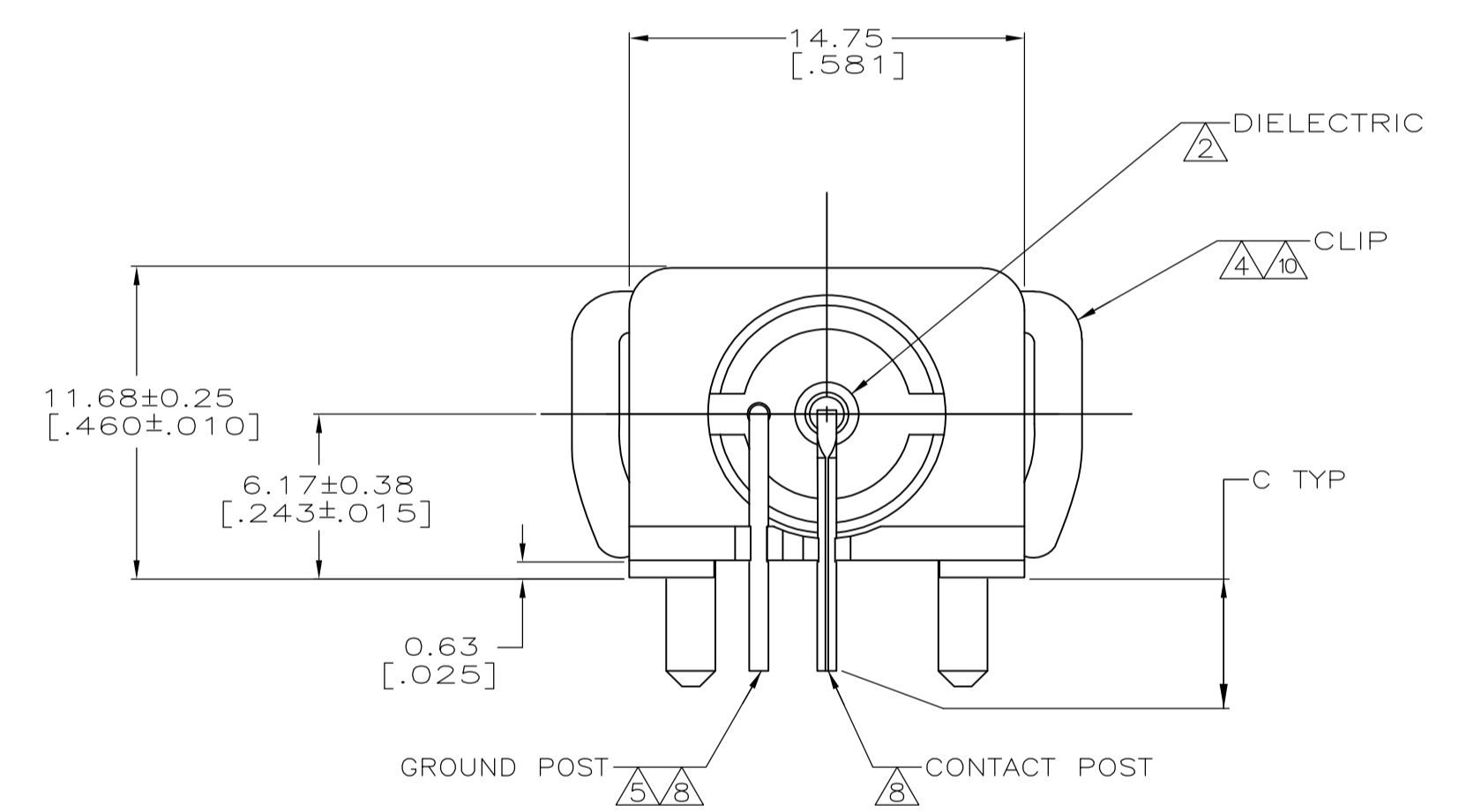


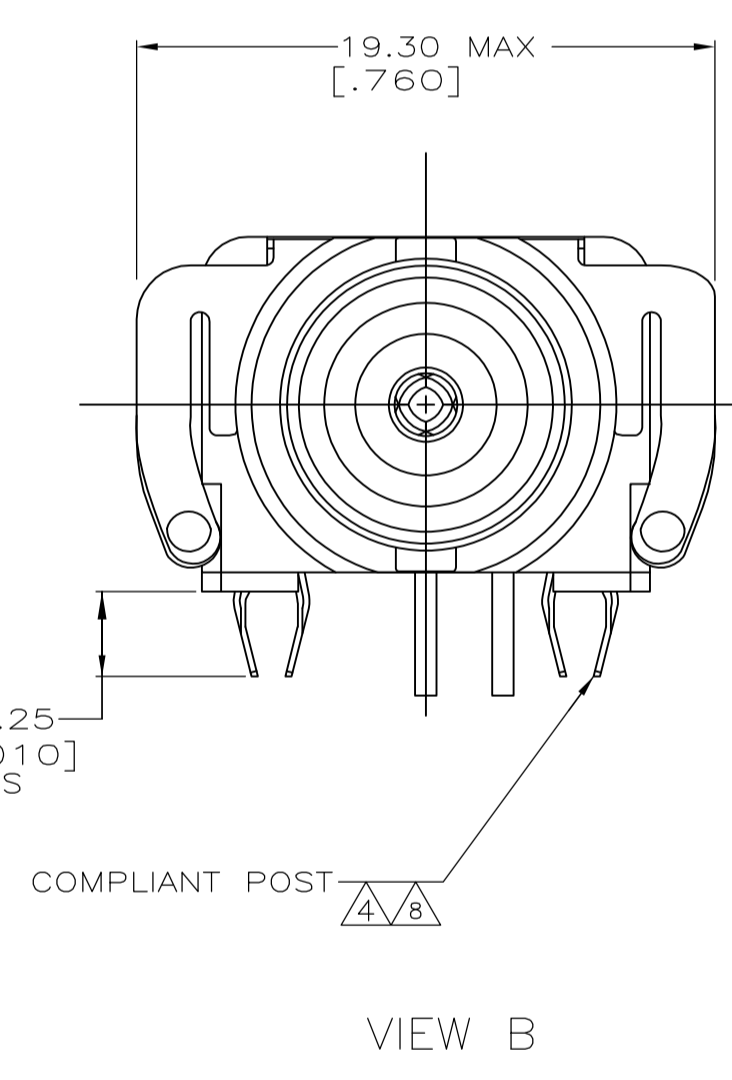
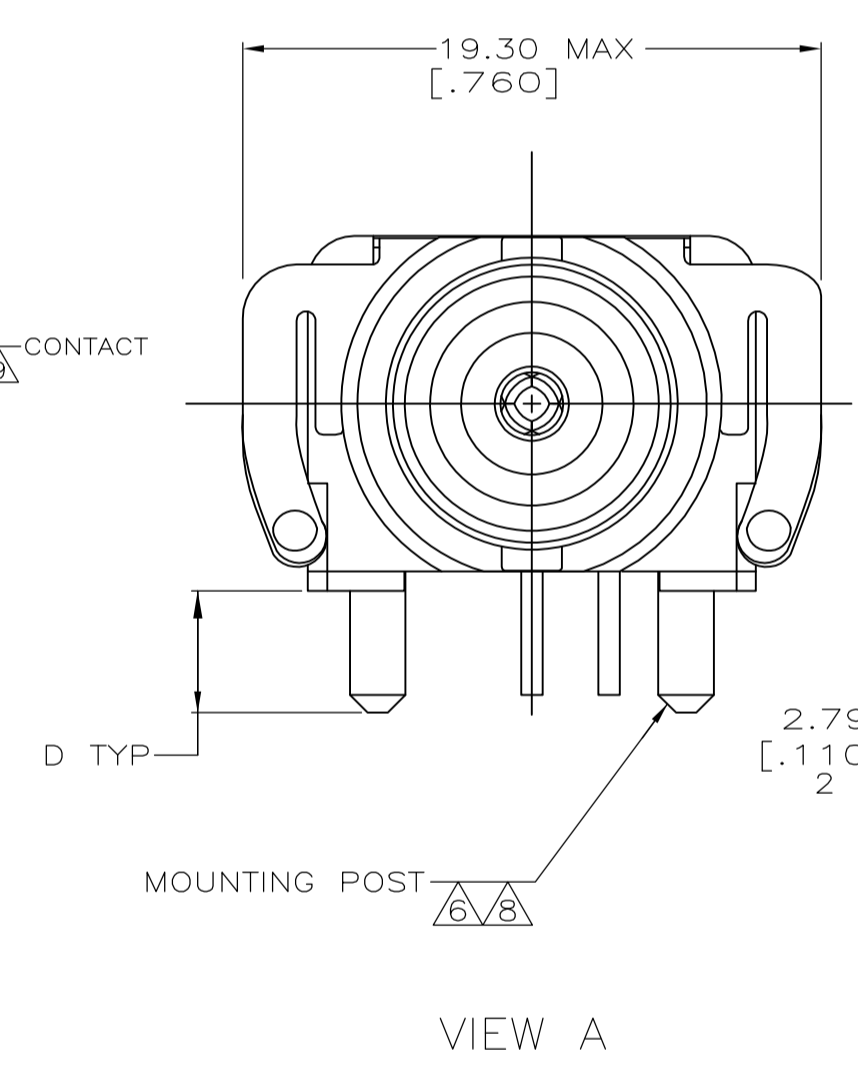
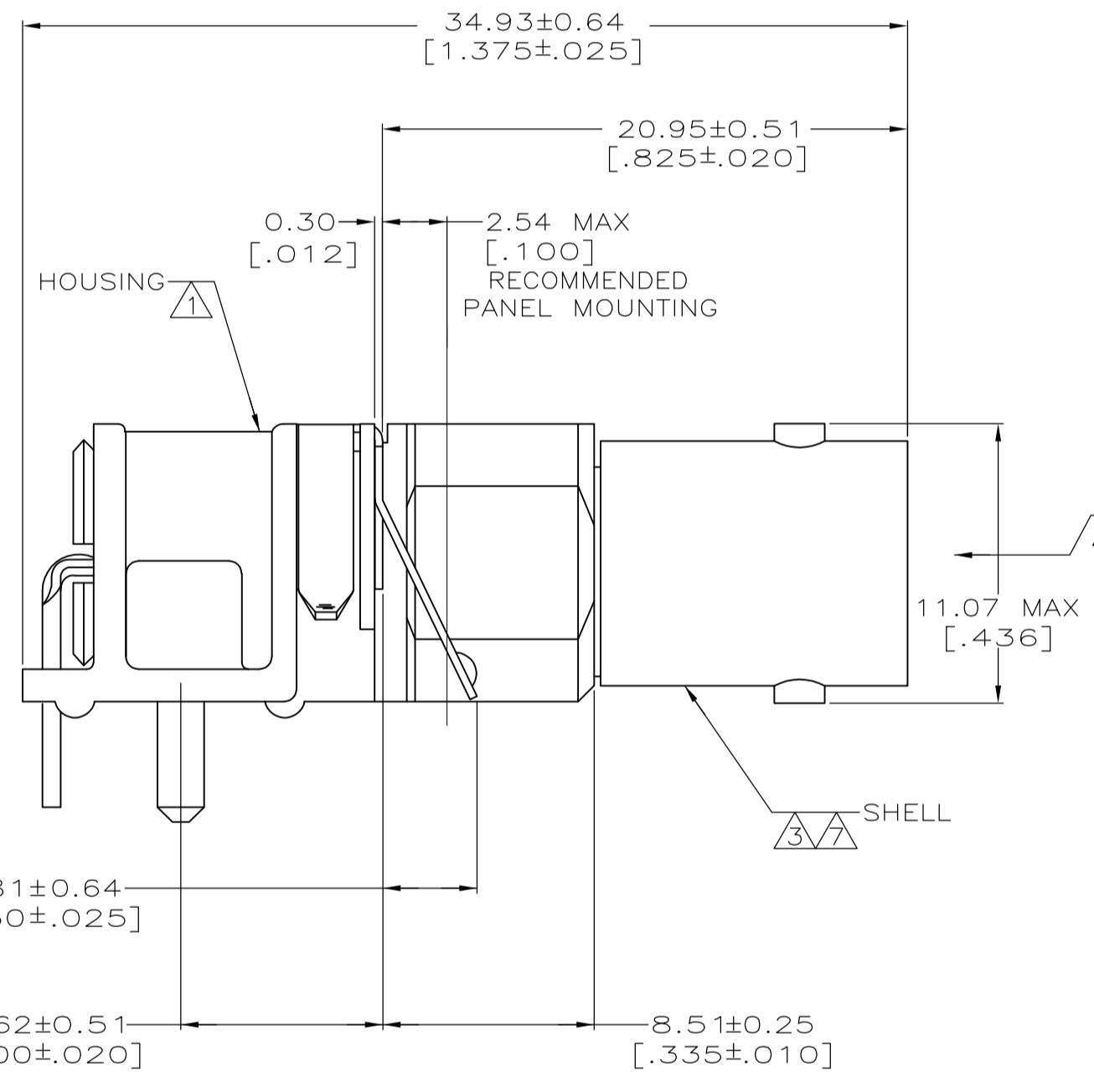
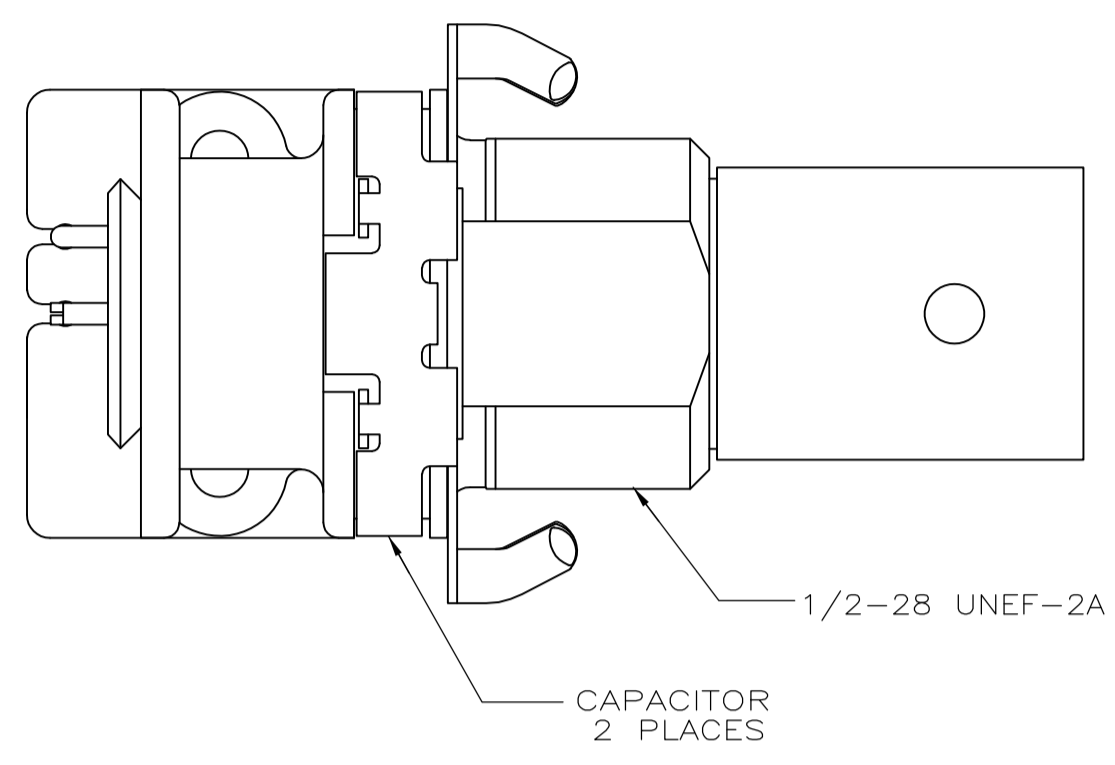
| REVISONS |                           | DATE      | BY | APPV |
|----------|---------------------------|-----------|----|------|
| REV      | PER ECO-08-009474         | 7/22/2008 | DW | JL   |
| C1       | REVISED PER ECO-10-000444 | 19JAN10   | KK | HMR  |



PCB CONFIGURATION



RECOMMENDED PANEL CUTOUT



- 1 POLYESTER PBT PER MIL-M-24519, TYPE GPT-15F, UL94V-0 RATED, COLOR:BLACK
- 2 POLYMETHYLPENTENE, GENERAL PURPOSE.
- 3 ZINC PER QQ-Z-363.
- 4 PHOSPHOR BRONZE PER QQ-B-750.
- 5 BRASS PER ASTM B 453.
- 6 BRASS PER ASTM B 16.
- 7 NICKEL PLATE PER QQ-N-290, 3.81 μm [.000150] MINIMUM THICK.
- 8 TIN PLATE PER ASTM B 545.
- 9 GOLD PLATE PER ASTM B 488, 0.08 μm [.000003] MINIMUM THICK.
- 10 NICKEL PLATE PER QQ-N-290.
- 11. SEE INSTRUCTION SHEET 408-2769.
- 12. CAPACITANCE: 9400 pf  
VOLTAGE: 1500 VDC.
- 13 TRAY PACKAGING.
- 14 OBSOLETE PARTS: OBSOLETE CIS STREAMLINING PER D.RENAUD/D.SINISI

|    |    |          |                       |                       |      |             |
|----|----|----------|-----------------------|-----------------------|------|-------------|
| 14 | 13 | OBSOLETE | 4.01±0.25 [.158±.010] | 3.43±0.38 [.135±.015] | A    | -5415103-4- |
| 14 | 14 | OBSOLETE | 2.03±0.13 [.080±.005] | 2.79±0.25 [.110±.010] | A    | -5415103-3- |
|    |    |          | -                     | 3.43±0.38 [.135±.015] | B    | 5415103-2   |
|    |    |          | 4.01±0.25 [.158±.010] | 3.43±0.38 [.135±.015] | A    | 5415103-1   |
|    |    |          | D                     | C                     | VIEW | PART NUMBER |

THIS DRAWING IS A CONTROLLED DOCUMENT.

|                             |  |           |           |                     |           |           |            |    |
|-----------------------------|--|-----------|-----------|---------------------|-----------|-----------|------------|----|
| DIMENSIONS:<br>mm [INCHES]  | TOLERANCES UNLESS OTHERWISE SPECIFIED: | 0 PLC ± - | 1 PLC ± - | 2 PLC ± 0.20 [.008] | 3 PLC ± - | 4 PLC ± - | ANGLES ± - |    |
| MATERIAL<br>SEE NOTES 1 - 6 | FINISH<br>SEE NOTES 7 - 10             | WEIGHT    | SCALE     | 4:1                 | SHEET     | 1 of 1    | REV        | C1 |

APPROVED: J. HAVENER, J. LIPPERT

NAME: JACK, DECOUPLER, PCB, 75 OHM, RIGHT ANGLE, BNC

SIZE: A1, CAGE CODE: 00779, DRAWING NO: 5415103

CUSTOMER DRAWING