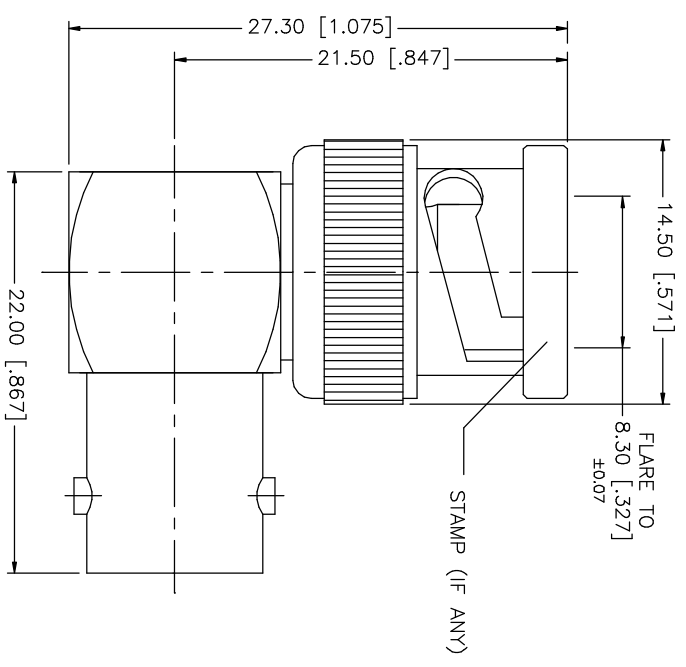


| REV. | DATE     | DESCRIPTION           |
|------|----------|-----------------------|
| A    | 06/05/03 | UPDATE DRAWING FORMAT |



| QTY | FINISH  | MATERIAL     | DESCRIPTION |
|-----|---------|--------------|-------------|
| 1   | NICKEL  | BRASS        | COVER       |
| 1   | GOLD    | BRASS        | CONTACT PIN |
| 1   | GOLD    | PHOS. BRONZE | CONTACT PIN |
| 1   | NATURAL | DLEPIN       | INSULATOR   |
| 1   | NICKEL  | BRASS        | BODY        |
|     |         |              | DESCRIPTION |

| UNLESS OTHERWISE SPECIFIED DIMENSIONS ARE IN INCHES AND FOR CUSTOMER REFERENCE ONLY.   | UNLESS OTHERWISE SPECIFIED DIMENSIONS ARE IN MILLIMETERS AND FOR CUSTOMER REFERENCE ONLY.  |
|--|--|
| UNLESS OTHERWISE SPECIFIED TOLERANCES FOR MILLIMETERS ARE:<br>0.5 - 8mm ± 0.20mm<br>8 - 30mm ± 0.40mm<br>30 - 120mm ± 0.50mm | UNLESS OTHERWISE SPECIFIED TOLERANCES FOR INCHES ARE:<br>.020 - .315 = ± 0.007"<br>.315 - 1.180 = ± 0.015"<br>1.180 - 4.724 = ± 0.020" |

| APPROVALS    | DATE     |
|--------------|----------|
| DRAWN G.R.S. | 06/05/03 |
| CHECKED      |          |
| ISSUED       |          |
| SHEET 1 OF 1 |          |

| PART DESCRIPTION   | DWG. NO.   | REV. | SIZE | SCALE |
|--|------------|------|------|-------|
| <b>Amphenol Connex</b><br>BNC MALE TO FEMALE R/A ADAPTER | 112453.DWG | A    | A    | NA    |