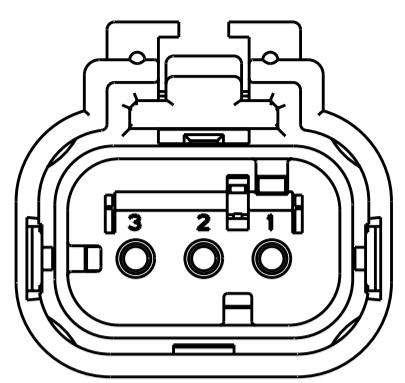
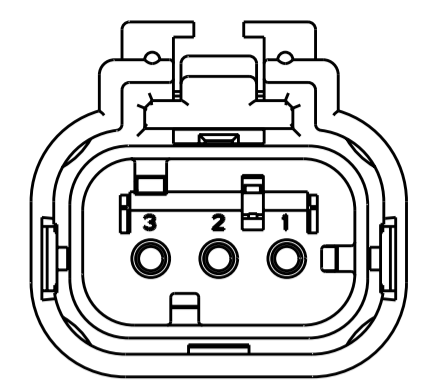


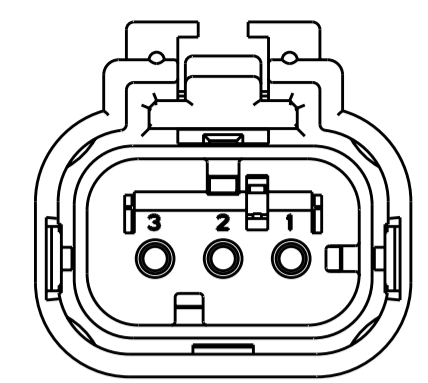
LOC	DIST	REVISIONS			
P	LTR	DESCRIPTION	DATE	DWN	APVD
GE	00				
	E2	REVISED PER ECO-11-005030	11MAR2011	RK	HMR



776429-2
SCALE 2:1
KEY B

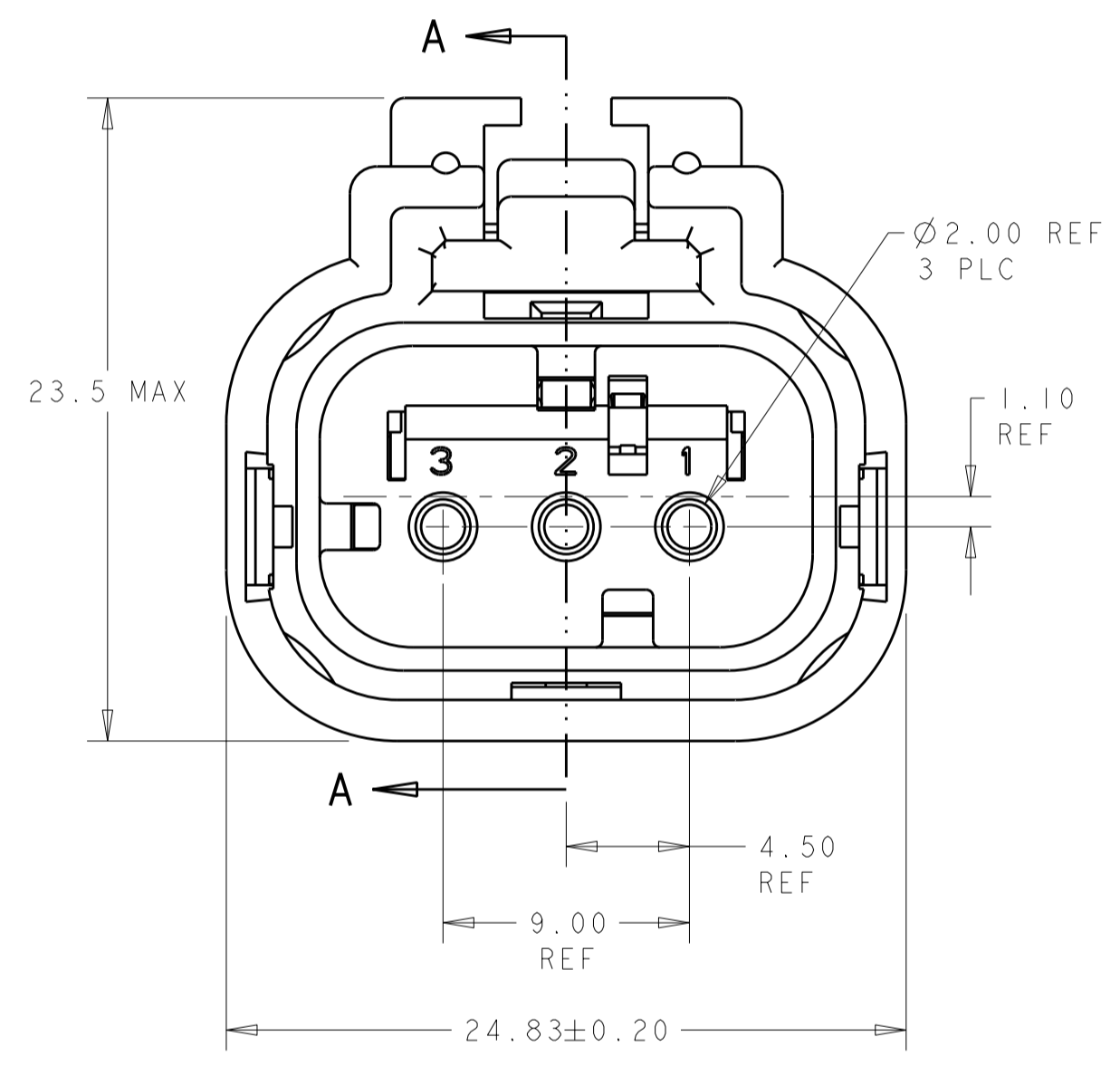


776429-3
SCALE 2:1
KEY C

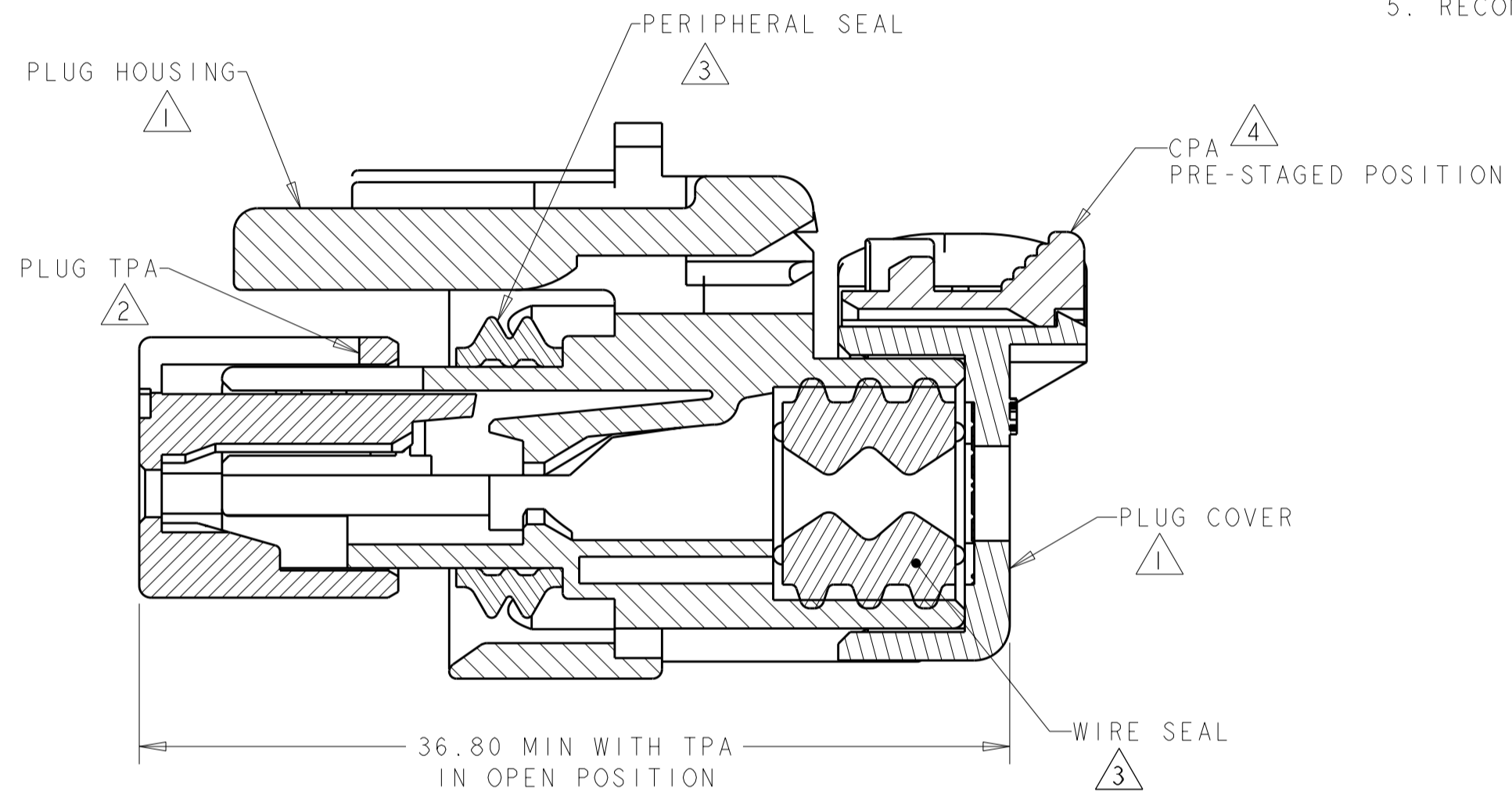


776429-4
SCALE 2:1
KEY D

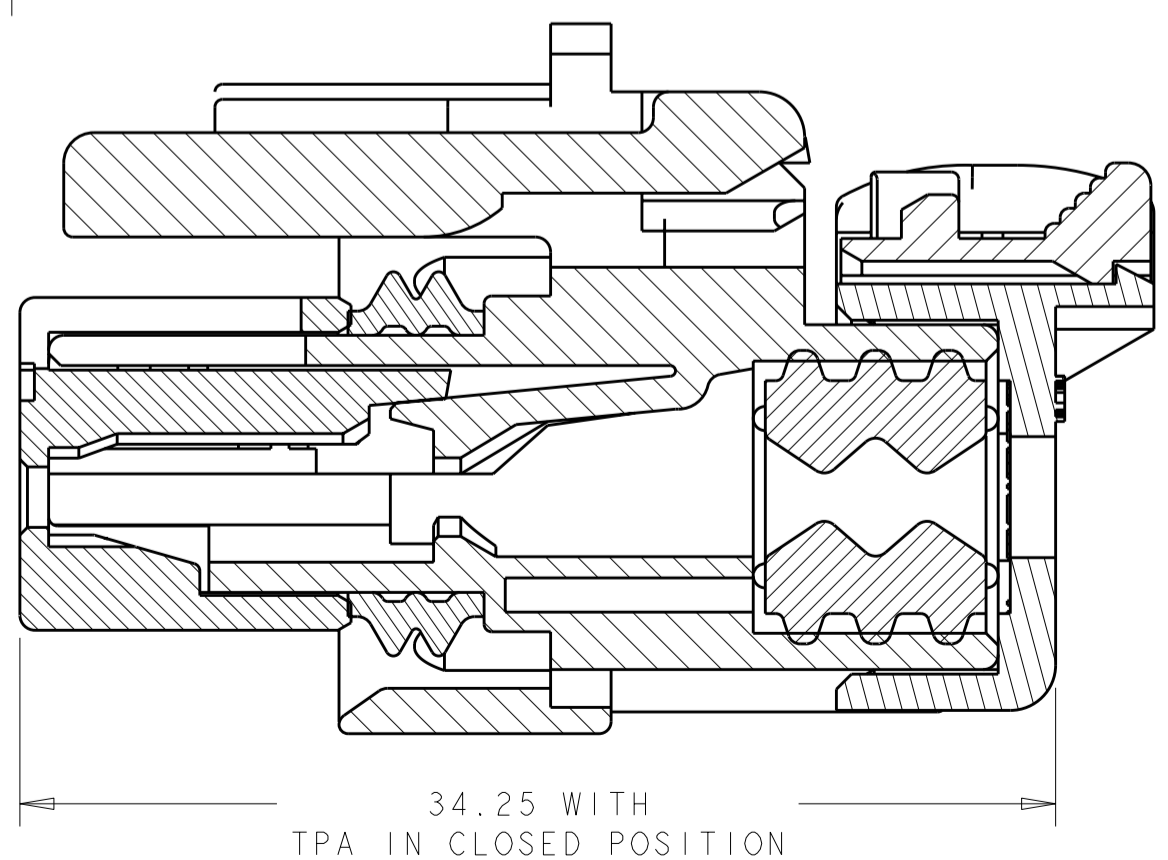
- 1 MATERIAL: 15% GLASS FILLED THERMOPLASTIC
COLOR: BLACK
 - 2 MATERIAL: 15% GLASS FILLED THERMOPLASTIC
COLOR: (SEE TABLE)
 - 3 MATERIAL: SILICONE
COLOR: YELLOW
 - 4 MATERIAL: 15% GLASS FILLED THERMOPLASTIC
COLOR: RED
5. RECOMMENDED WIRE DIAMETER RANGE IS 2.18 TO 3.67mm.



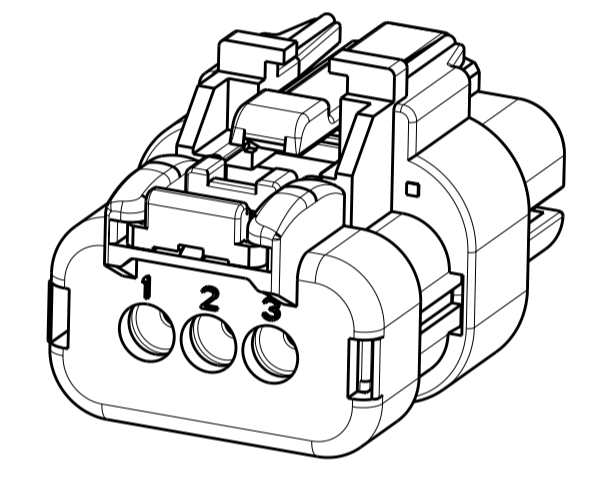
776429-1 SHOWN
KEY A



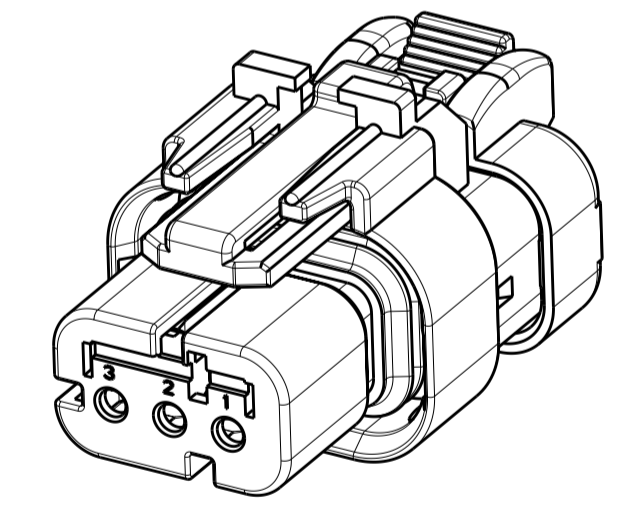
SECTION A-A



SECTION A-A



SCALE 2:1



SCALE 2:1

D	GREEN	776429-4
C	YELLOW	776429-3
B	GRAY	776429-2
A	RED	776429-1
KEY	TPA COLOR	PART NUMBER

THIS DRAWING IS A CONTROLLED DOCUMENT.		DWN AJ GRAFF 22FEB00	TE Connectivity			
DIMENSIONS: mm		CHK R. GREINER 11DEC01				
TOLERANCES UNLESS OTHERWISE SPECIFIED:		APVD M. TRULLI 11DEC01	NAME PLUG ASSEMBLY, 3 POSITION, SINGLE ROW AMPSEAL 16			
0 PLC ± 1 PLC ± 2 PLC ± 3 PLC ± 4 PLC ± ANGLES ± FINISH		PRODUCT SPEC 108-2184	SIZE A2	CAGE CODE b0779	DRAWING NO C-776429	RESTRICTED TO -
MATERIAL		APPLICATION SPEC 114-13065	SCALE 4:1		SHEET 1	OF 1
		WEIGHT 10±1g	REV E2			
		CUSTOMER DRAWING				