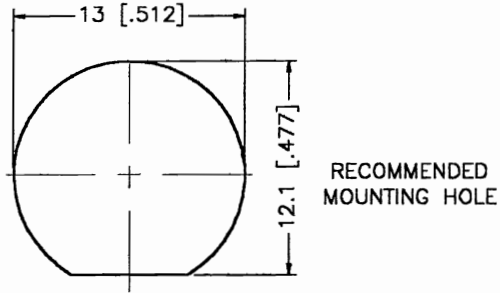
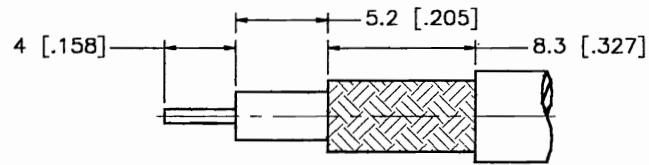
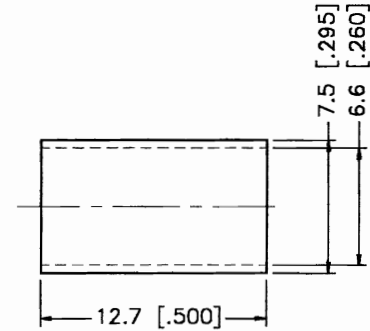
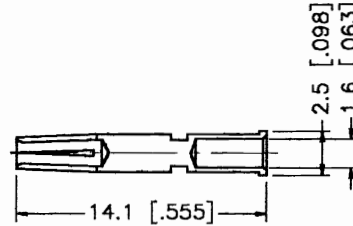
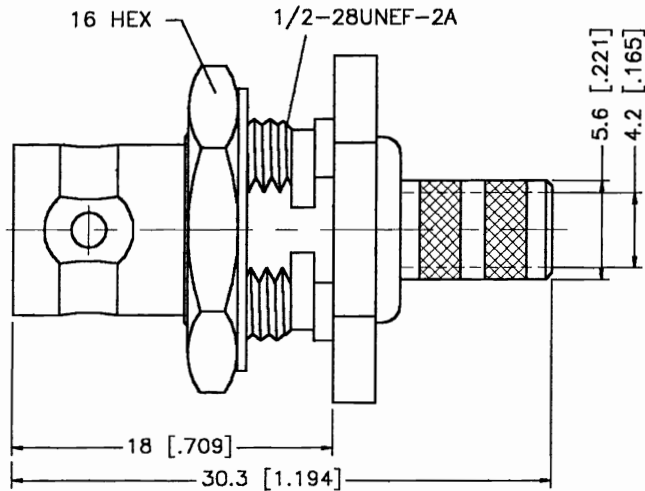



REV.	DATE	DESCRIPTION
NC	08/18/98	INITIAL RELEASE



RECOMMENDED MOUNTING HOLE



RECOMMENDED CABLE STRIPPING DIM'S

DESCRIPTION	MATERIAL	FINISH	UNLESS OTHERWISE SPECIFIED DIMENSIONS ARE IN MILLIMETERS	APPROVALS	DATE											
1	BODY	BRASS	NICKEL	DRAWN	G.R.S.					08/18/98	TITLE BNC BULKHEAD JACK - LMR 240					
2	INSULATOR	TEFLON	NATURAL	CHECKED			SIZE A									
3	CONTACT PIN	PHOS. BRONZE	GOLD	ISSUED							FSCM NO. 99001		DWG. NO. 112602.DWG		REV. NC	
4	FERRULE	COPPER	NICKEL				SCALE NA		PART NO. 112602		SHEET 1 OF 1					
5							DIMENSIONS IN [] ARE IN INCHES FOR CUSTOMER REFERENCE ONLY UNLESS OTHERWISE SPECIFIED TOLERANCES FOR MILLIMETERS ARE: 0.5-6 = ± 0.2 6-30 = ± 0.4 30-120 = ± 0.6 120-315 = ± 1 315-1000 = ± 1.6 1000-2000 = ± 2.4									
6												DO NOT SCALE DRAWING				
7																
8																