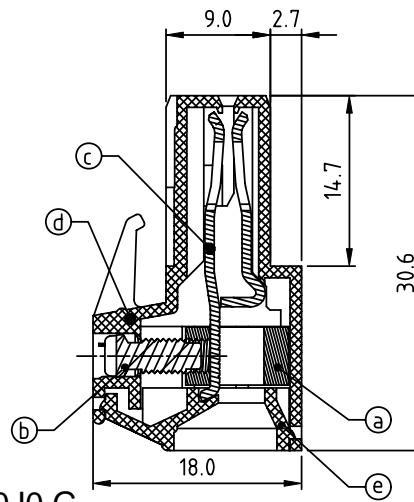
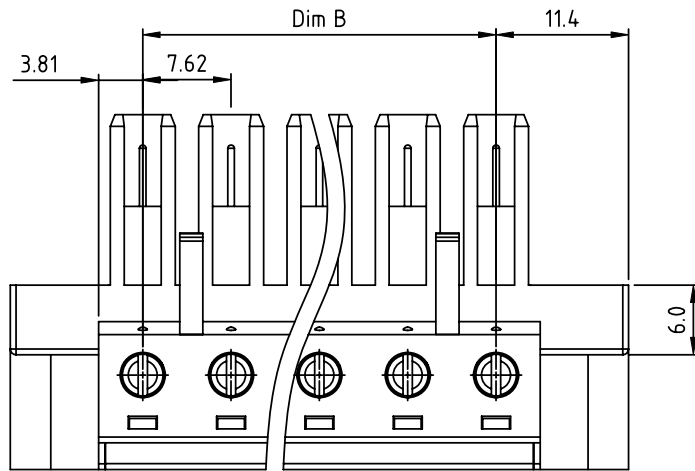
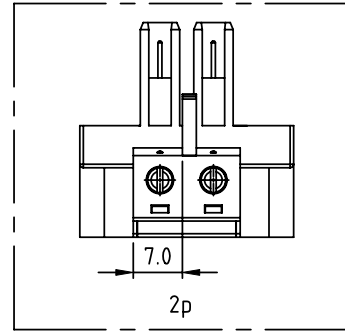
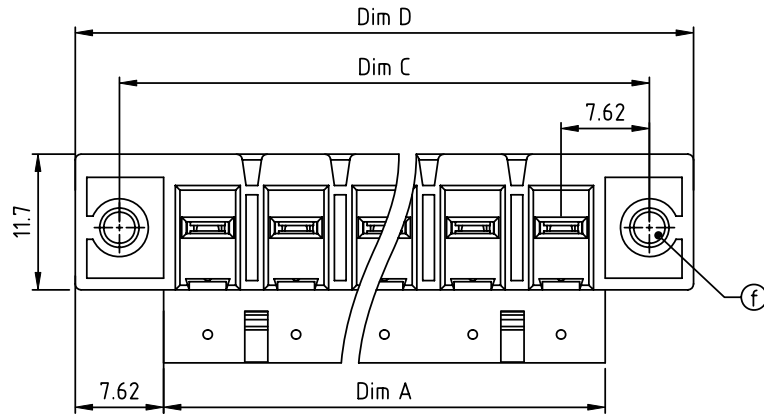


PRODUCT NUMBER	PITCH
VBxx01x200J0G	7.62 mm



Material

- Item (a) Clamp : Brass(CuZn) Ni plated
- Item (b) Terminal screw: Steel Zinc plating"-slot type
- Item (c) Female contact : Copper Tin plated
- Item (d) Terminal (body): Thermoplastic (UL94V-0)
- Item (e) Terminal (cover): Thermoplastic (UL94V-0)
- Item (f) With flange screw: Steel Zinc plating M3 "\*"slot type

Electrical cULus

- Voltage rating: 300V
- Current rating: 20A
- Wire range:
- Solid wire(AWG):10-30
- Stranded wire(AWG):10-30
- Torque: 4.5(Lb-In)
- Screw:M3
- Wire strip length:7-8mm
- Withstanding Voltage:1.6KV
- Operating temperature:-40°C to +115°C
- Safety Approval:

PART NO.: VB xx 01 x 2 00J0 G

N = Number of poles  
 Dim A=Nx7.62  
 Dim B=(N-1)x7.62  
 Dim C=(N-1)x7.62+15.24  
 Dim D=Nx7.62+15.24

poles	Tolerance
2-6p	±0.20
7-12p	±0.30
13-16p	±0.40

Solid block	No. of poles	Color	RoHS compliant (lead<4%) In copper Alloy
0	2	Black (RAL9005)	
1	3	Red (RAL3001/D)	
2	4	Orange(RAL2011/P)	
3	5	Yellow(RAL1018/A)	
4	6	Green(RAL6018/T)	
5	7	Blue (RAL5015/A)	
6	8	Grey(RAL7035/D)	
7	9	White(RAL1102)	
8	16	Green(RAL6018/U)	

mat'l. code		surface ASME Y14.5	tolerance ASME Y14.5	projection 	product family TERMINAL BLOCK
ltr	ecn no	dr	date	tolerances unless otherwise specified	title TERMINAL BLOCK PLUGGABLE PLUG, WITH FLANGE
				angles 	scale MM
				X.±0.5	FCI
				X.X±0.3	dwg no VBxx01x200J0G
				X.X±1"	sheet 1 of 1
				dr EVIN ZHONG 041814	size A4
				engr EVIN ZHONG 041814	type CUSTOMER Drawing
				chr HANKE FENG 041814	
				appd SHI JUN 041814	
sheet index	revision sheet	A	1		