

10112684 - X XX-YY Z LF

INDICATES THAT PRODUCT IS RoHS COMPATIBLE, SEE NOTE 3

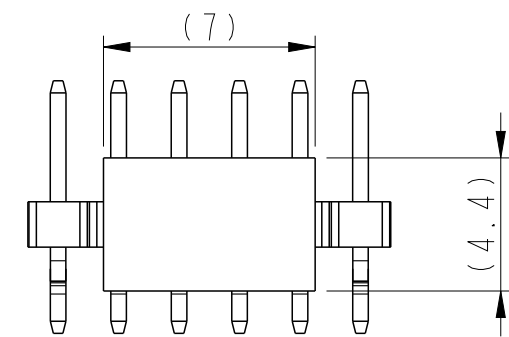
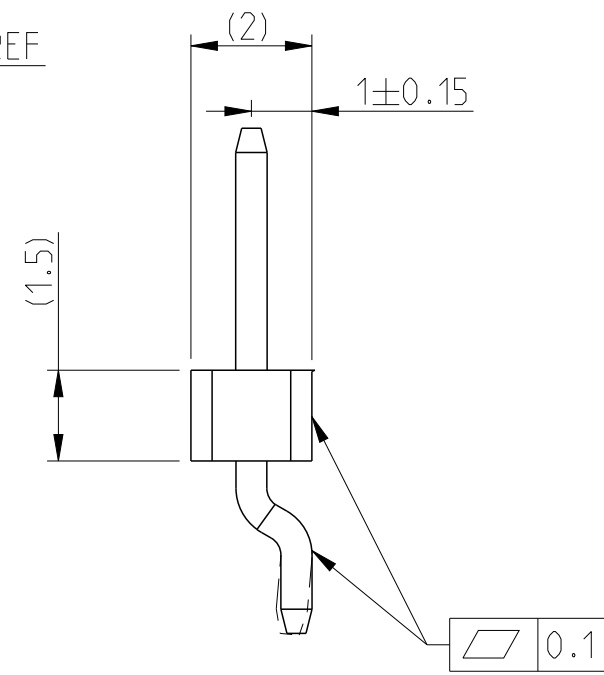
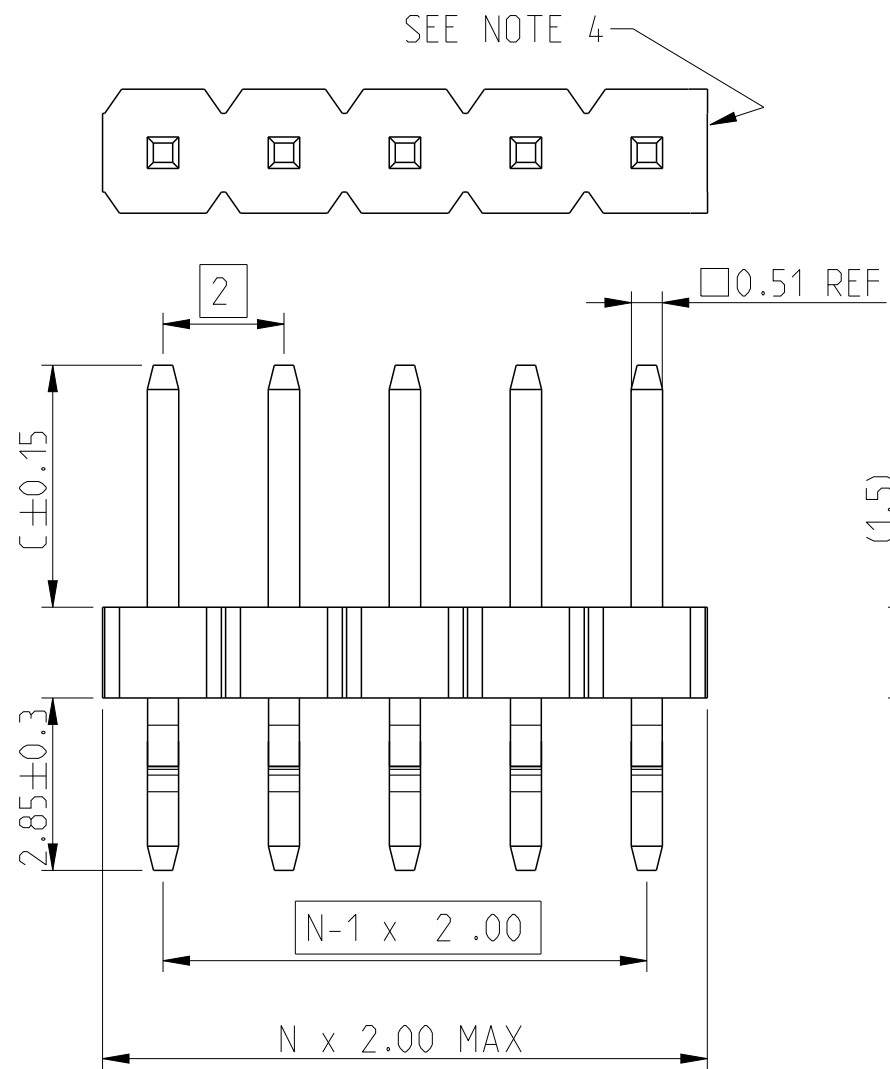
PACKAGING :

A = Tape and reel with Pick-up cap.  
See GS-14-1516 As available  
U = Tube without Pick-up cap.  
Only for contacts qty from 4 to 25.  
See GS-14-1551  
Blank = Bli box for contacts qty 2 and 3  
See note 5

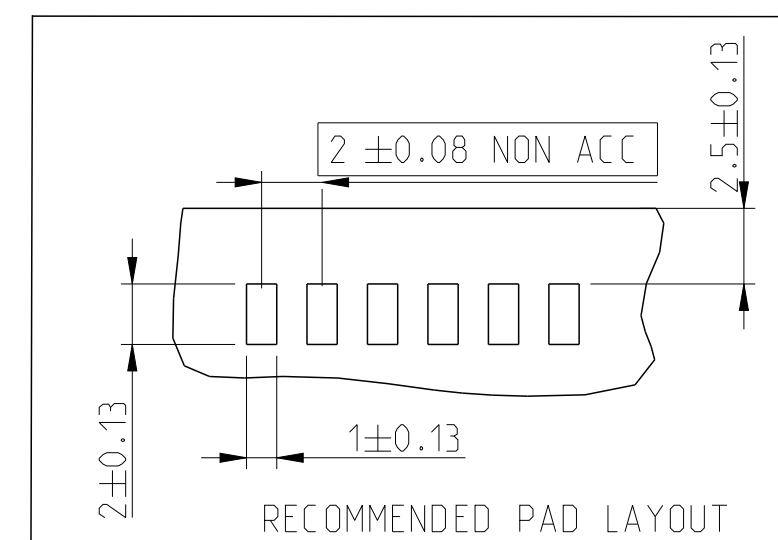
CONTACTS QTY : 02 to 25 = N

STYLE	01	02	03	04
DIM C POST LENGTH	3.2	2.0	4.0	7.0

PLATING : G= 0.76 μ Gold/GXT on mating area  
2-6 μ Pure Tin on solder area  
F= Gold flash on mating area  
2-6 μ pure Tin on solder area  
T= 2-6 μ pure Tin on mating area  
2-6 μ pure Tin on solder area  
All with 1.27 Ni underplating



VIEW WITH PICK-UP CAP  
SCALE 4:1



- NOTES :
- 1- MATERIALS :  
BODY : High Temp thermoplastic 30% GF, COLOR BLACK UL94 V-0  
PIN : COPPER ALLOY
  - 2- 7N MIN PIN RETENTION IN EITHER DIRECTION
  - 3- RoHS COMPATIBLE PRODUCT SPECIFICATION :  
a- PLATING : LF means the product is Lead Free,  
2 μ MIN matte Tin over 1.27 μ Nickel underplating.  
b- MANUFACTURING PRODUCT SPECIFICATION :  
Housing will withstand exposure to 260 °C peak temperature for 30 secondes in a convection infra-red or vapor phase oven.  
c- LABELLING :  
Meets packaging specs as per GS-14-920  
d- LEGAL STATMENT : See GS-47-0004
  - 4- ONE TIP OF BODY MIGHT BE WITHOUT INDENTS AS PER EXTREMITY OF MOLDED BODY.
  - 5- MINIMUM QUANTITY IN BLI BOX : 500

spec ref	GS-12-652	dr	A Parrenin	2014/02/28	projection	mm	size	A3	scale	8:1
tolerance std	ISO 406 ISO 1101	eng	J Dalibard	2015/09/07			ecn no	ELX-F-21864-1		
TOLERANCES UNLESS OTHERWISE SPECIFIED		chr	Laurent Mulin	2015/09/07				rel level	Released	
surface	✓	appr	J M Maire	2015/09/07	product family		rel level	Released		
linear	0.X ±0.30 0.XX ±0.13 0.XXX ±0.05			title	UNSHROUDED HEADER SMT		dwg no	10112684		
angular	0° ±/°	www.fci.com		cat. no.	-		Product - Customer Drw	sheet 1 of 1		

Copyright FCI.