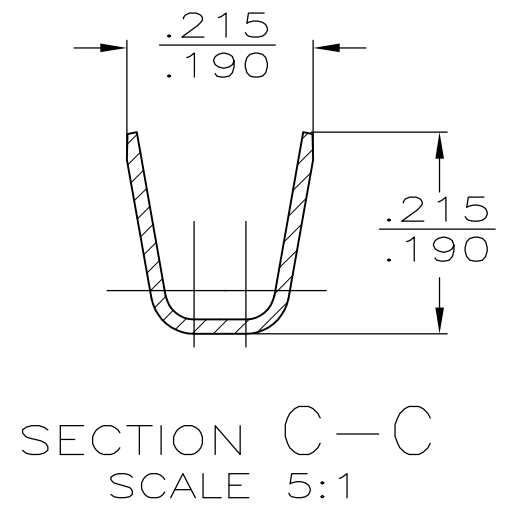
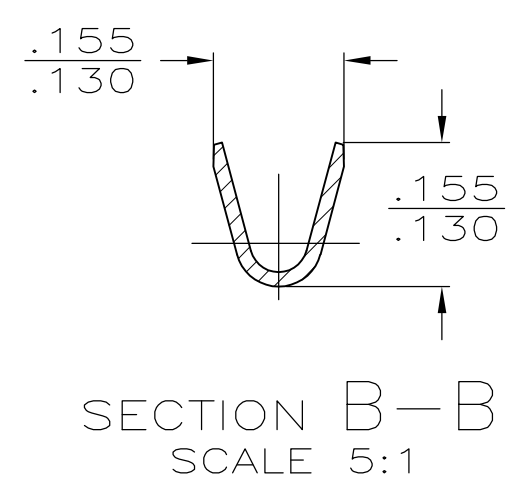
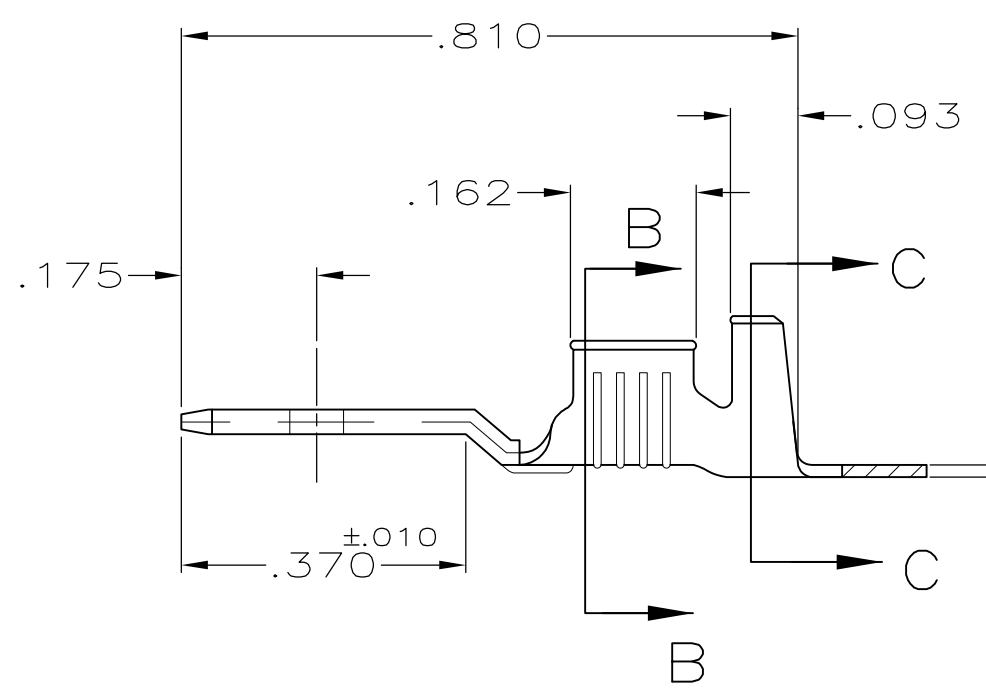
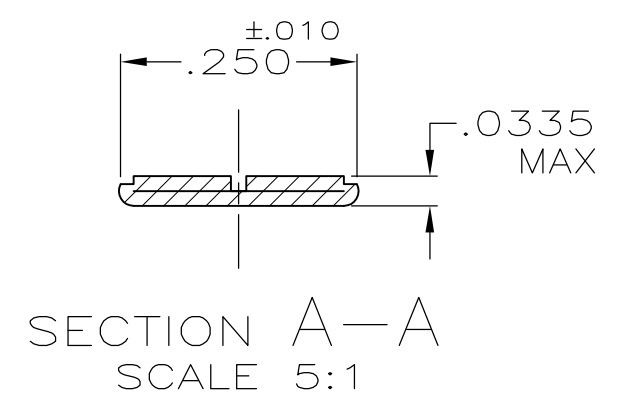
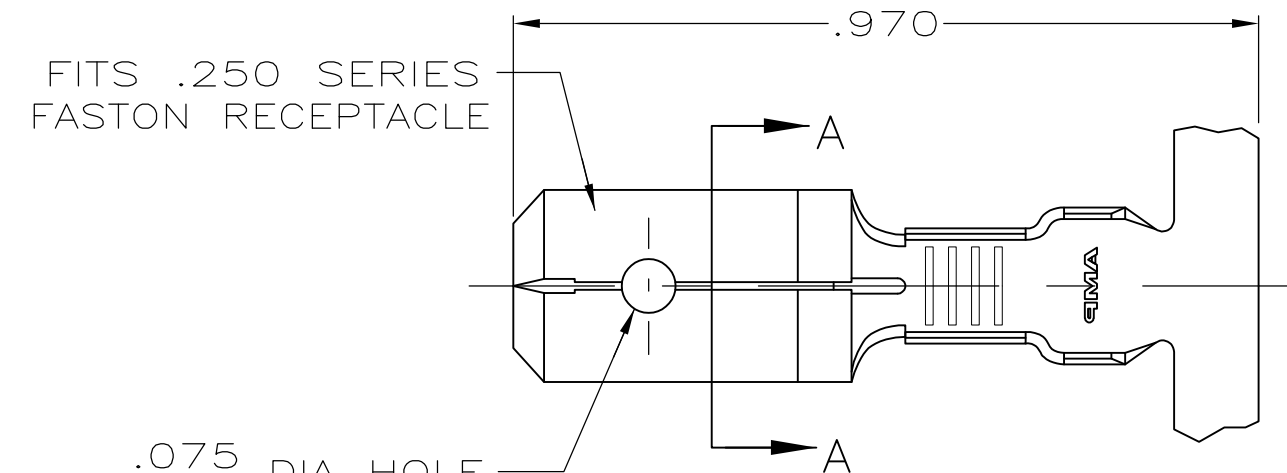


THIS DRAWING IS UNPUBLISHED. RELEASED FOR PUBLICATION
 © COPYRIGHT - By - ALL RIGHTS RESERVED.

LOC	DIST	REVISIONS					
AF	50	P	LTR	DESCRIPTION	DATE	DWN	APVD
		U1		REVISED PER ECO-11-004820	11MAR11	RK	HMR



6	4	TIN	.110-.150 DIA	18-14 AWG	42474-7
5	5	-			42474-6
5	5	SILVER .000120 MIN			42474-5
4	4	TIN			42474-4
3	3	-			42474-3
5	5	TIN			42474-2
		FINISH	INSULATION RANGE	WIRE SIZE	PART NO
					42474-1

1. CONTINUOUS STRIP ON REELS.
2. FEED TO BE .540#.005.
- 3 REVERSED REEL OF 42474-1.
- 4 REVERSED REEL OF 42474-2.
- 5 FOREIGN PRODUCTION ONLY.
- 6 LUBRICANT APPLIED AFTER TIN PLATING.

THIS DRAWING IS A CONTROLLED DOCUMENT.		DWN	JR RUTH	1/31/91	STE TE Connectivity											
DIMENSIONS: INCHES		CHK	MS FEHER	1/31/91												
TOLERANCES UNLESS OTHERWISE SPECIFIED:		APVD	C MEYERS	1/31/91												
<table border="0"> <tr><td>0 PLC</td><td>± -</td></tr> <tr><td>1 PLC</td><td>± -</td></tr> <tr><td>2 PLC</td><td>± -</td></tr> <tr><td>3 PLC</td><td>± .015</td></tr> <tr><td>4 PLC</td><td>± -</td></tr> <tr><td>ANGLES</td><td>± -</td></tr> </table>		0 PLC	± -	1 PLC		± -	2 PLC	± -	3 PLC	± .015	4 PLC	± -	ANGLES	± -	NAME	
0 PLC	± -															
1 PLC	± -															
2 PLC	± -															
3 PLC	± .015															
4 PLC	± -															
ANGLES	± -															
MATERIAL	NO 2H BRASS	FINISH	SEE TABLE	WEIGHT	-											
CUSTOMER DRAWING		SIZE	A3	CAGE CODE	00779											
SCALE		4:1	DRAWING NO	C-42474	RESTRICTED TO											
SHEET		1 OF 1	REV	U1												