

# RJ45, Single Port, Tap Up, SMD, 100 Base-T



16.10 x 13.87 x 25.68mm

**ARJE-0034**

**RoHS/RoHS II Compliant**

**Moisture Sensitivity Level = 1**

**FEATURES:**

- Compliant with IEEE802.3 standard
- 350uH minimum OCL with 8mA bias current
- High performance for maximum EMI suppression
- High reliability – 750 mating/unmating cycles

**APPLICATIONS:**

- Supports 100 Base-T applications such as Set Top Box and Network Interface Card.
- Provides signal conditioning, EMI suppression and signal isolation

**STANDARD SPECIFICATIONS**

**Operating temperature range: 0°C to +70°C Storage temperature range: -40°C to +85°C**

Parameters	Minimum	Typical	Maximum	Units	Notes
Turn Ratio (±3%)	1CT:1CT				
Inductance	350			uH	100kHz, 0.1Vrms, 8mADC
Insertion Loss			-1.0	dB	0.1-100MHz
Return Loss	-16.0			dB	1-30MHz
	-13.5				30-60MHz
	-12.0				60-80MHz
Crosstalk	-30.0			dB	0.1-100MHz
CMRR	-30.0			dB	0.1-100MHz
Hipot	1500Vrms				Pri to Sec

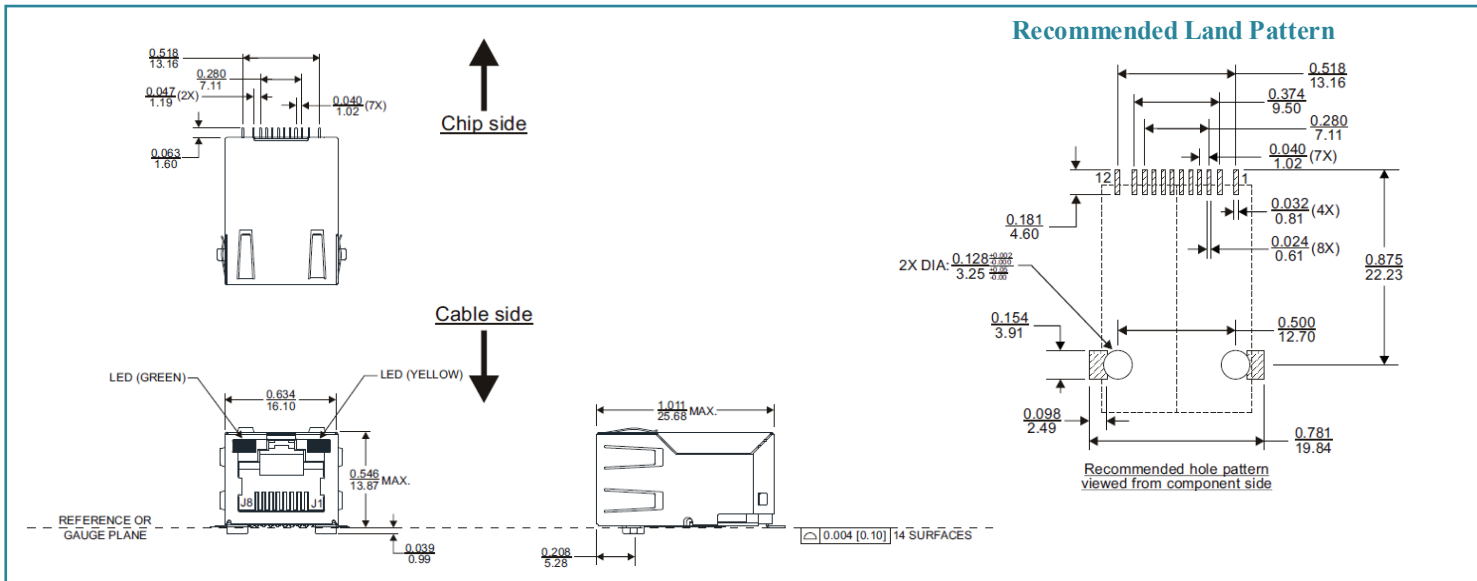
**PART IDENTIFICATION:**

ARJE-0034-



<b>Tin Plating Finish Option</b>
Blank – Standard (Bright Tin)
MT – Optional (Matt Tin), MOQ: 2750 pcs

**MECHANICAL DIMENSIONS**



**Dimensions: inch/mm (Unless otherwise specified, all tolerances are ±0.01/0.25)**



2 Faraday, Suite# B | Irvine | CA 92618 **Revised: 11.19.15**  
 Ph. 949.546.8000 | Fax. 949.546.8001  
 Visit [www.abracon.com](http://www.abracon.com) for Terms and Conditions of Sale

# RJ45, Single Port, Tap Up, SMD, 100 Base-T

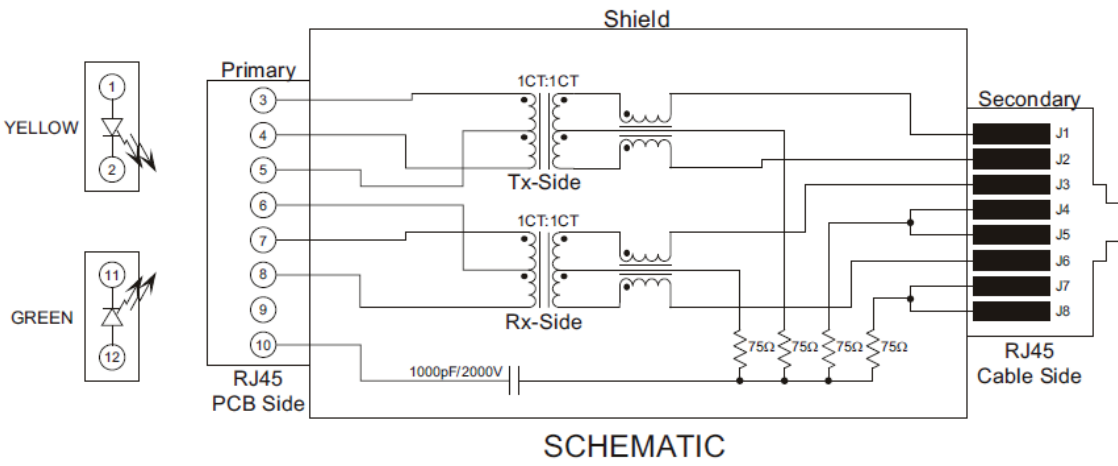
ARJE-0034

RoHS/RoHS II Compliant



16.10 x 13.87 x 25.68mm

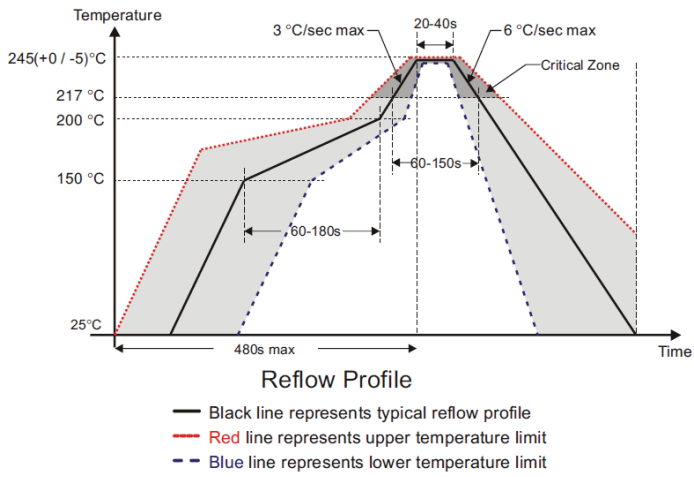
## SCHEMATICS



### LED SPECIFICATION @20mA FORWARD CURRENT

Color	GREEN	YELLOW
Wavelength	570nm Typ	590nm Typ
Forward Voltage	2.2V Typ	2.1V Typ

## REFLOW PROFILE



ABRACON IS  
ISO 9001:2008  
CERTIFIED



2 Faraday, Suite# B | Irvine | CA 92618 Revised: 11.19.15  
Ph. 949.546.8000 | Fax. 949.546.8001  
Visit [www.abracon.com](http://www.abracon.com) for Terms and Conditions of Sale

# RJ45, Single Port, Tap Up, SMD, 100 Base-T

ARJE-0034

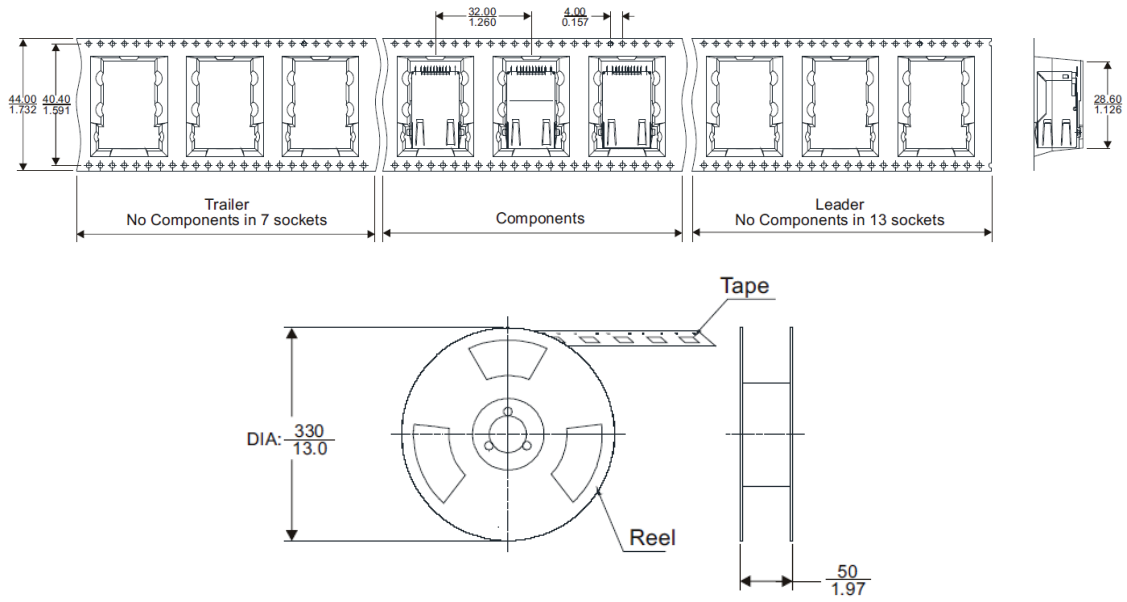
RoHS/RoHS II Compliant



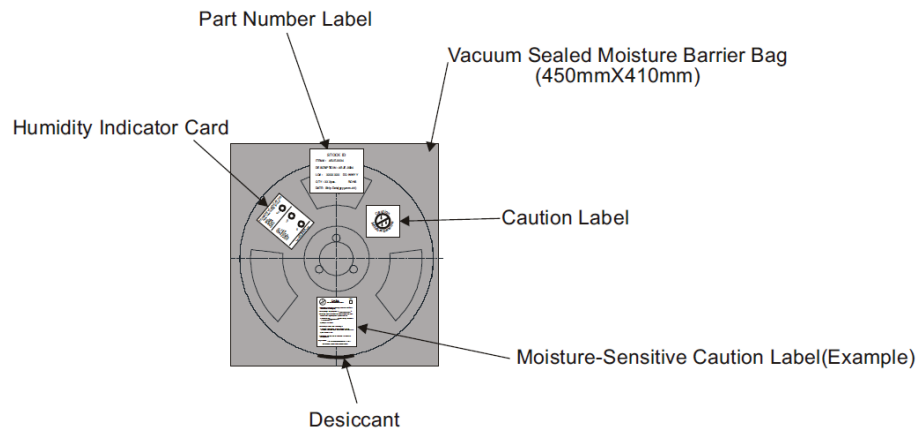
16.10 x 13.87 x 25.68mm

## TAPE & REEL:

- Packing: (110pcs/Tape & Reel, 550pcs/Box) MOQ: 2,750pcs
- Packing Material: PET
- Moisture Sensitivity Level (MSL): 1 (MSL=1)



- Packing the goods with carrier, 110pcs/reel, paste part number label on bag as below.
- Place one reel (110pcs goods) into a vacuum sealed bag with desiccant, then heat seal.
- Place the goods packed into box, 550pcs/Box.



Dimension: mm/inch

**ATTENTION:** Abracon Corporation's products are COTS – Commercial-Off-The-Shelf products; suitable for Commercial, Industrial and, where designated, Automotive Applications. Abracon's products are not specifically designed for Military, Aviation, Aerospace, Life-dependant Medical applications or any application requiring high reliability where component failure could result in loss of life and/or property. For applications requiring high reliability and/or presenting an extreme operating environment, written consent and authorization from Abracon Corporation is required. Please contact Abracon Corporation for more information.

ABRACON IS  
ISO 9001:2008  
CERTIFIED



2 Faraday, Suite# B | Irvine | CA 92618 Revised: 11.19.15  
Ph. 949.546.8000 | Fax. 949.546.8001  
Visit [www.abracon.com](http://www.abracon.com) for Terms and Conditions of Sale