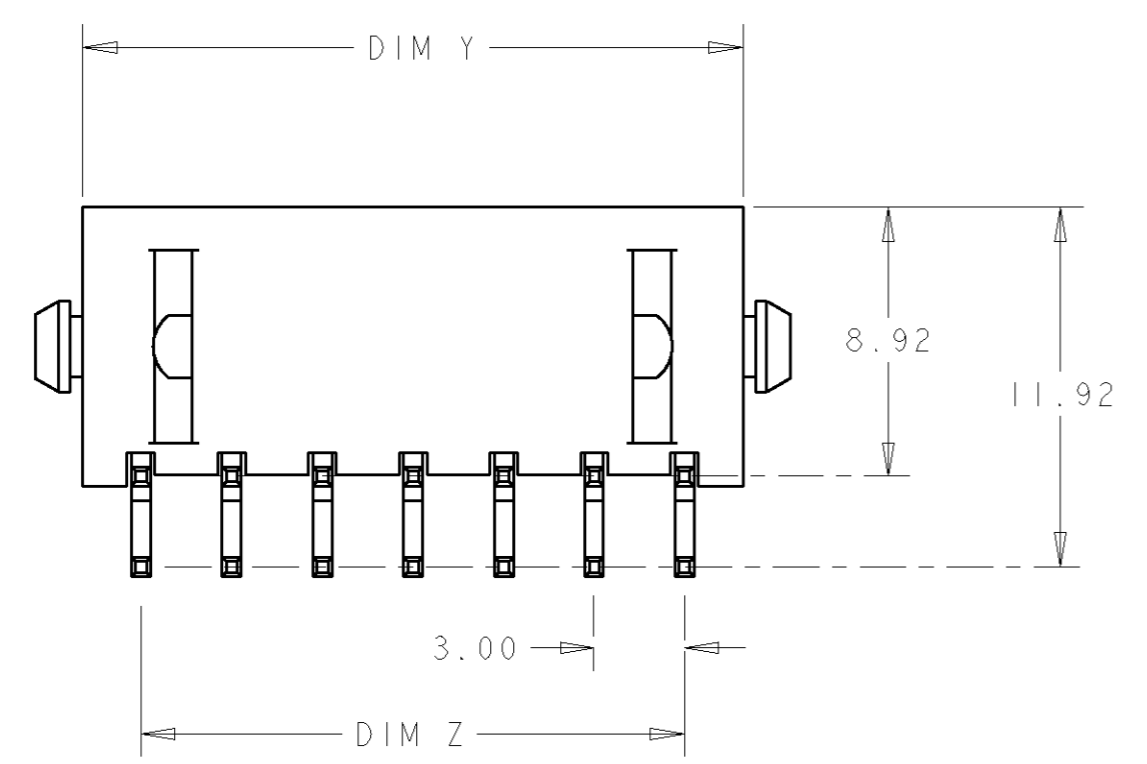
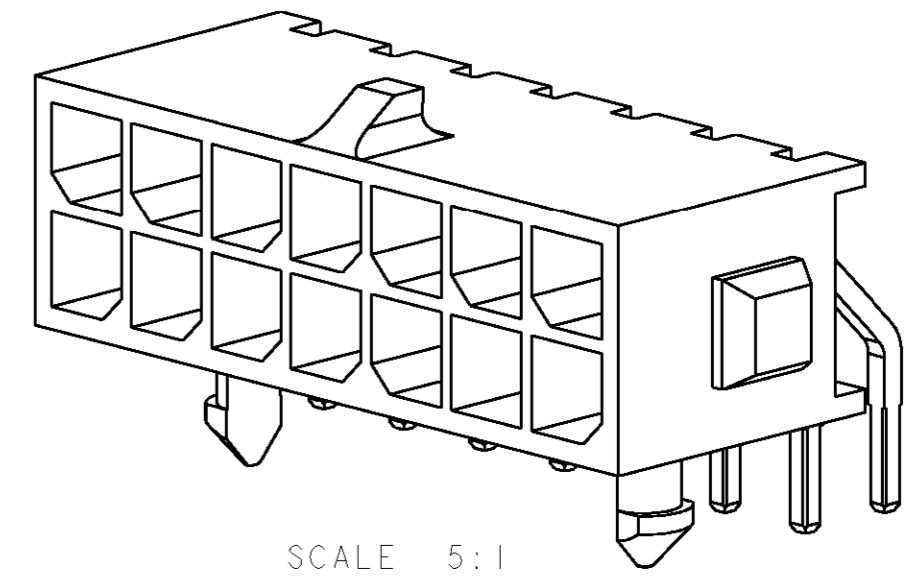
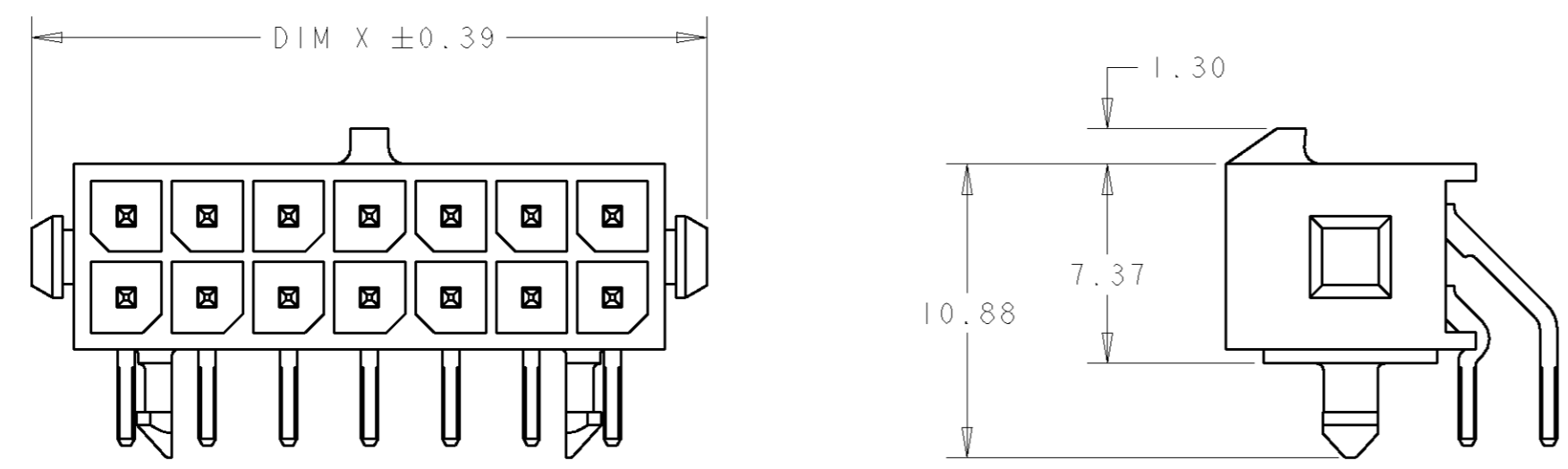
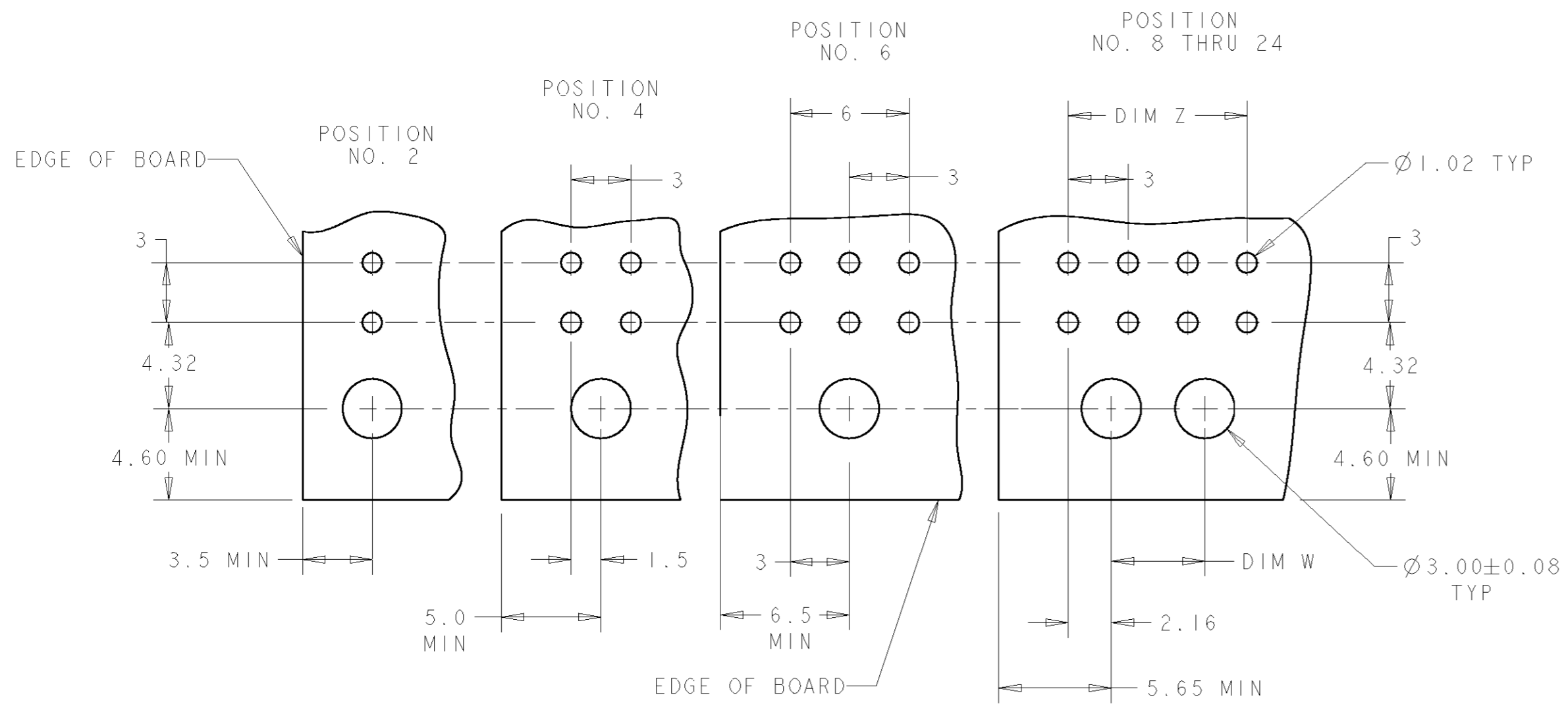


THIS DRAWING IS UNPUBLISHED. RELEASED FOR PUBLICATION .19
 © COPYRIGHT 19 BY AMP INCORPORATED. ALL RIGHTS RESERVED.

LOC	DIST	REVISIONS					
CM	00	P	LTR	DESCRIPTION	DATE	DWN	APVD
		D		REVISED PER EC 063B-0543-01	23-JAN-02	KW	CJ

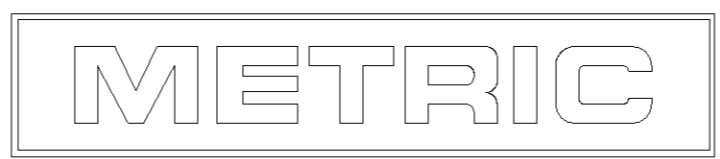


- 1 MATERIAL;
CONTACTS - BRASS.
HOUSING - UL 94V-0 RATED HIGH TEMP NYLON, COLOR; BLACK.
- 2 PLATING;
CONTACTS - 2.54µm MINIMUM TIN-LEAD OVER 1.27µm MINIMUM NICKEL ALL OVER.
- 4 RECOMMENDED PC BOARD THICKNESS OF 1.57.



36.86	28.70	33.00	40.00	24	2-794618-4
33.86	25.70	30.00	37.00	22	2-794618-2
30.86	22.70	27.00	34.00	20	2-794618-0
27.86	19.70	24.00	31.00	18	1-794618-8
24.86	16.70	21.00	28.00	16	1-794618-6
21.86	13.70	18.00	25.00	14	1-794618-4
18.86	10.70	15.00	22.00	12	1-794618-2
15.86	7.70	12.00	19.00	10	1-794618-0
12.86	4.70	9.00	16.00	8	794618-8
9.86	-	6.00	13.00	6	794618-6
6.86	-	3.00	10.00	4	794618-4
3.86	-	-	7.00	2	794618-2
DIM Y	DIM W	DIM Z	DIM X	NO. OF POSN.	PART NUMBER

THIS DRAWING IS A CONTROLLED DOCUMENT FOR AMP INCORPORATED. IT IS SUBJECT TO CHANGE AND THE CONTROLLING ENGINEERING ORGANIZATION SHOULD BE CONTACTED FOR THE LATEST REVISION.		DWN B. HAYMAKER 12AUG99 CHK K. COBLE 12AUG99 APVD K. COBLE 12AUG99	AMP AMP Incorporated Harrisburg, PA 17105-3608
DIMENSIONS: mm	TOLERANCES UNLESS OTHERWISE SPECIFIED: 0 PLC ±- 1 PLC ± 2 PLC ±0.13 3 PLC ±- 4 PLC ±- ANGLES ± FINISH	PRODUCT SPEC - APPLICATION SPEC - WEIGHT -	NAME THRU-HOLE, R/A, TIN HEADER, PLASTIC BOARDLOCK, DUAL ROW, MICRO MATE-N-LOK™ SIZE A2 CAGE CODE 00779 DRAWING NO. 794618
MATERIAL 1		CUSTOMER DRAWING	SCALE 4:1 SHEET 1 OF 1 REV D



794618