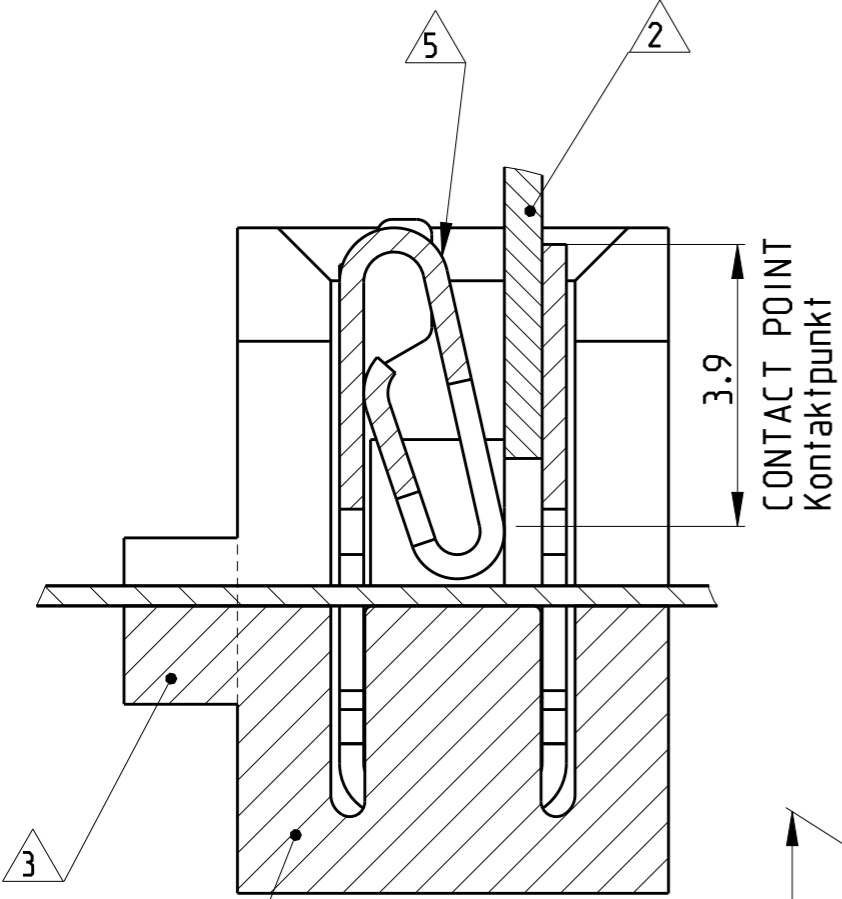
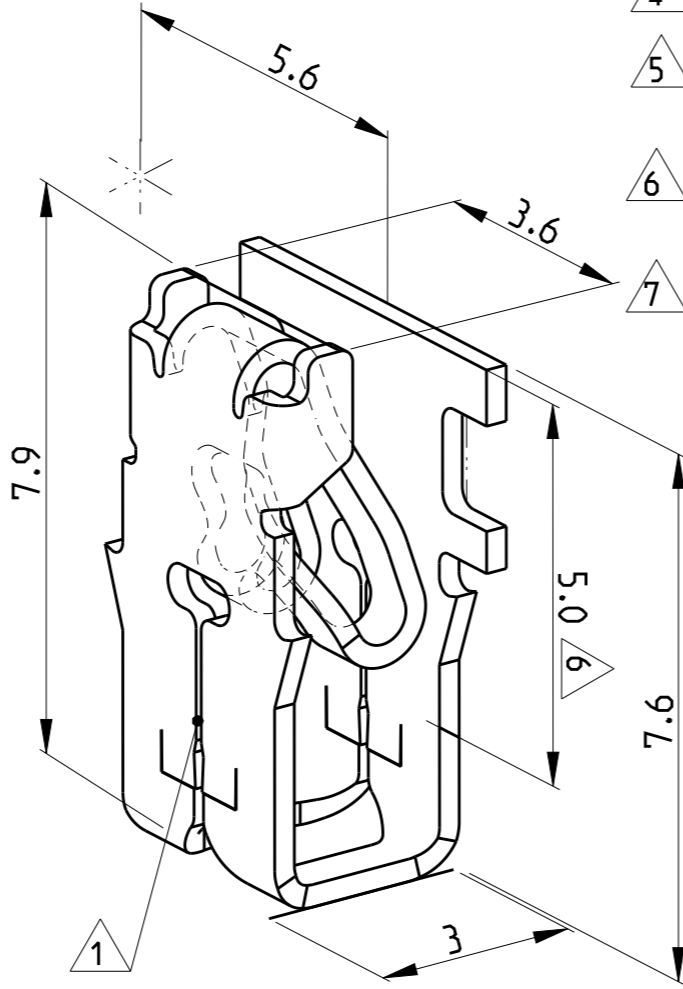


THIS DRAWING IS UNPUBLISHED
 RELEASED FOR PUBLICATION 2008
 © COPYRIGHT 2008 TE CONNECTIVITY ALL RIGHTS RESERVED.

LOC	DIST	REVISIONS					
IR	-	P	LTR	DESCRIPTION	DATE	DWN	APVD
			E8	PN 3-964337-7 ADDED	19APR2013	PKS	RRP
			E9	PN 3-964337-2 ADDED	30OCT2013	PKS	RRP
			E10	OVERALL HEIGHT DIMENSIONS ADDED	14FEB2014	PKS	RRP
			E11	INTERLAYER PAPER DETAILS ARE UPDATED	03OCT2016	SV	PKS

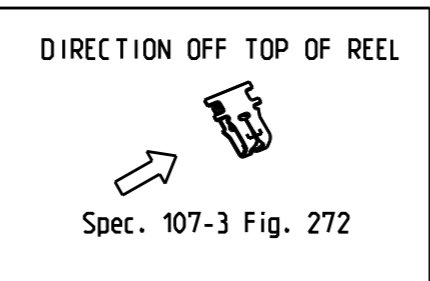


A-A



- 1 SLOT ACCEPTS SINGLE OR DOUBLE MAGNET WIRE SAME DIAMETERS $\varnothing 0.18 \dots 0.265 \text{mm}$
Kontakt geeignet fuer Lackdraht $\varnothing 0.18 \dots 0.265 \text{mm}$ (Einzeldraht oder zwei Draehnte gleichen Durchmessers)
- 2 POKE IN TAB TERMINAL $3.4 \times 0.5 \text{mm}$
Poke in Flachstecker $3.4 \times 0.5 \text{mm}$
- 3 AREA WILL BE CUT BY TERMINATION
Bereich wird beim Kontaktieren abgetrennt
- 4 CAVITY ACCORDING TO TE SPEC. 411-18512
Kontakt Kammer nach TE Spec. 411-18512
- 5 IDENTIFICATION NO. FOR MAGNET WIRE RANGE (4)
Kennziffer fuer Lackdrahtbereich (4)
- 6 OVER THE MARKED LENGTH:
SELECTIVE Min. $0.4 \mu\text{m}$ GOLD OVER NI
Ueber die gekennzeichnete Laenge:
Selektiv Min. $0.4 \mu\text{m}$ Gold ueber Ni
- 7 REELED WITH PAPER INTERLAYER 0-737976-1 ON PLASTICREEL 1-725652-0
Reeling mit Papierzwischenlage 0-737976-1 auf Kunststoffspulen 1-725652-0
- 8 REELED WITH PAPER INTERLAYER 0-782504-1 ON PLASTICREEL 0-725652-4
Reeling mit Papierzwischenlage 0-782504-1 auf Kunststoffspulen 0-725652-4
- 9 QUANTITY 15000 PCS./REEL
Mengeinheit 15000 stk./ spule
- 10 QUANTITY 10000 PCS./REEL
Mengeinheit 10000 stk./ spule
- 11 REELED WITH PAPER INTERLAYER 782504-9 ON CARDBOARD REEL 1-973053-3
Reeling mit Papierzwischenlage 782504-9 auf Pappbandspule 1-973053-3
- 12 REELED WITH CREPE PAPER INTERLAYER 2-725600-3 ON PLASTIC REEL 1-725652-0
Reeling mit Sprung Papierzwischenlage 2-725600-3 auf Kunststoffspulen 1-725652-0

NOTE	PART NO	REV.	PCS.	MATERIAL	SURFACE COLOUR
	3-964337-7	7	A	CuNiSi	FLASH GOLD OVER NICKEL
	3-964337-2	12	A	CuNiSi	PRE TINNED
	2-964337-7	8	B	CuNiSi	FLASH GOLD OVER NICKEL
	2-964337-2	7	A	CuNiSi	TIN PLATED
SUPERSEDED BY PN 2-964337-7	1-964337-7	8	A	CuNiSi	FLASH GOLD OVER NI
	1-964337-2	10	C	CuNiSi	PRE TINNED
SUPERSEDED BY PN 2-964337-7	964337-7	7	B	CuNiSi	FLASH GOLD OVER NI
	964337-3	7	C	CuZn	PRE TINNED
	964337-2	7	C	CuNiSi	PRE TINNED
	964337-1	7	B	CuNiSi	BLANK



THIS DRAWING IS A CONTROLLED DOCUMENT.

DIMENSIONS: mm

TOLERANCES UNLESS OTHERWISE SPECIFIED:
 n. ISO 8015, n. ISO 2768- mH-E, n. DIN 16901 - 140

MATERIAL SEE TABLE FINISH SEE TABLE

APVD: Rudolph 15-03-95
 CHK: H. Plösser 20-03-95

PRODUCT SPEC: 108-2012
 APPLICATION SPEC: 114-2046

WEIGHT: -

CUSTOMER DRAWING

TE Connectivity

MAG MATE LEAF TERMINAL MARK II

SIZE: A3 CAGE CODE: 00779 DRAWING NO: C-964337 RESTRICTED TO: -

SCALE: 10:1 SHEET: 1 OF 1 REV: E11