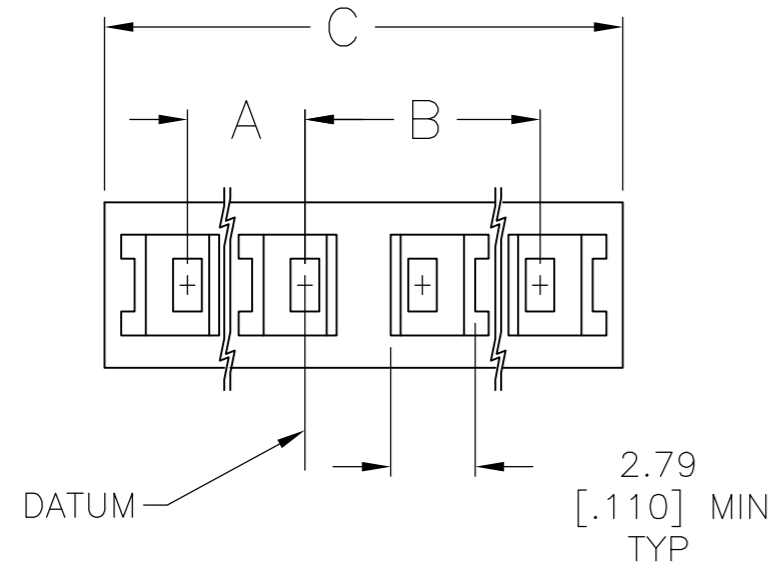
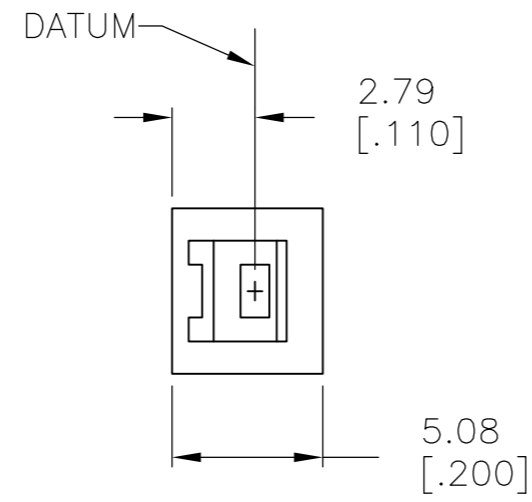


THIS DRAWING IS UNPUBLISHED. RELEASED FOR PUBLICATION
 © COPYRIGHT - By - ALL RIGHTS RESERVED.

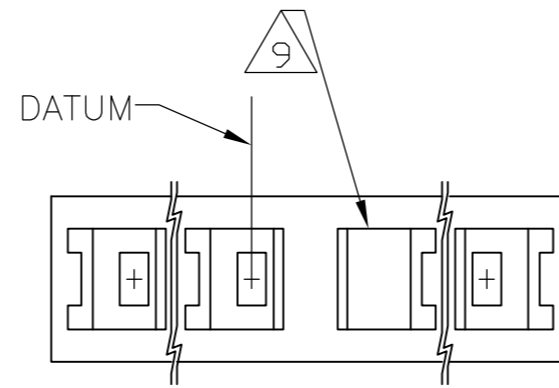
LOC		DIST		REVISIONS			
P	LTR	DESCRIPTION		DATE	DWN	APVD	
AD	00	J2	REVISED PER ECO-11-004820	11MAR11	RK	HMR	



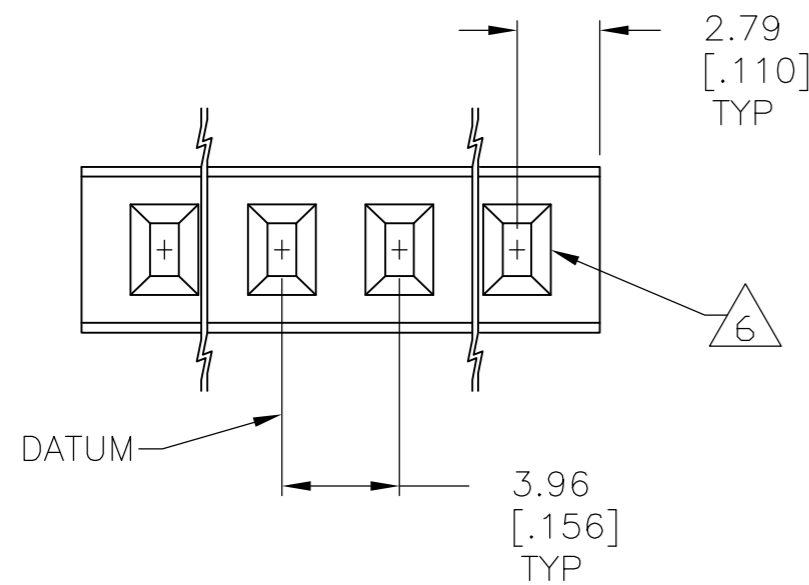
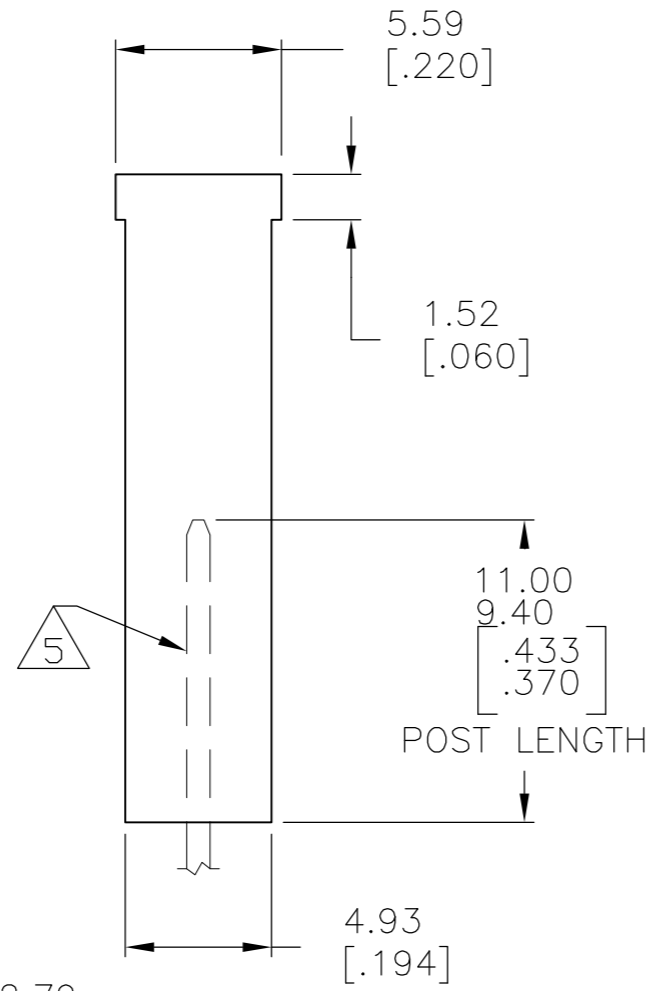
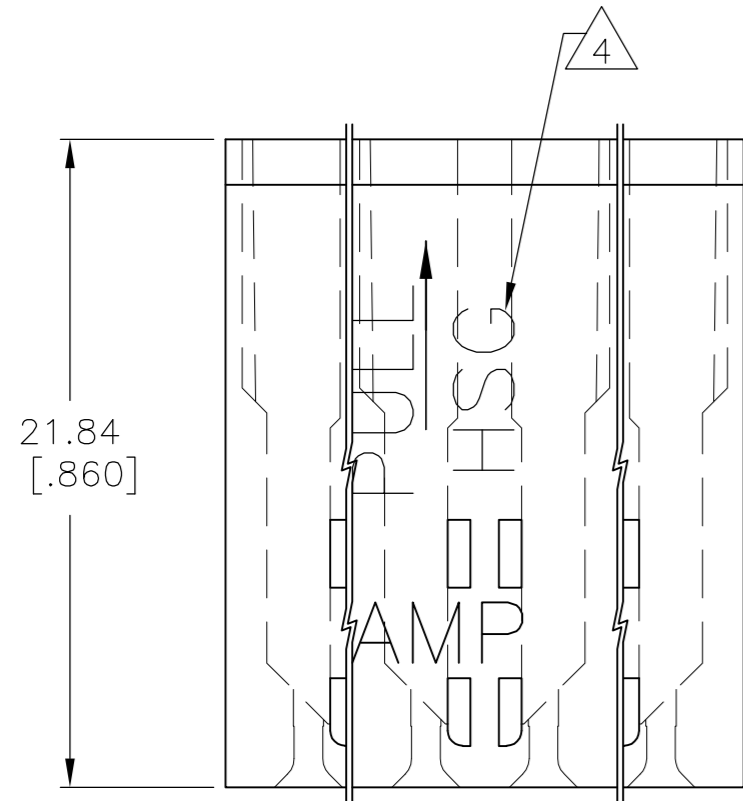
TOP VIEW ⁸



DETAIL X



DETAIL Y



- PULL ON HOUSING TO REMOVE FROM POSTS. DO NOT CONFINE THE CONDUCTORS OR PULL ON THE CONDUCTORS DURING REMOVAL ACTION.
 - IN ORDER FOR THIS HOUSING TO FUNCTION PROPERLY AS A CONNECTOR, THE CONTACTS (P/N 87278 SERIES) MUST BE CRIMPED ACCORDING TO AMP SPEC 114-25008.
- ⁴ MOLDED CHARACTERS THIS END.
 - ⁵ .79[.031] X 1.57[.062] POST SHOWN FOR REFERENCE ONLY.
 - ⁶ CAVITY ACCEPTS 0.79[.031] X 1.57[.062] POST (TYPICAL).
 - ⁷ BOLD CAVITY INDICATES TYPICAL DATUM.
 - ⁸ THIS VIEW TO BE REFERENCED WITH CAVITY ORIENTATION CHART.
 - ⁹ NO POST ENTREE HOLE IN THIS LOCATION.
 - ¹⁰ SEE DETAIL X.
 - ¹¹ SEE DETAIL Y.
 - ¹² OBSOLETE PART NUMBER.
 - ¹³ OBSOLETE PARTS: OBSOLETE CIS STREAMLINING PER D.RENAUD/D.SINISI

CAVITY ORIENTATION CHART	C	B	PART NUMBER
¹³ OBSOLETE	□□□□□□□□□□	53.14 [2.092]	23.77 [.936]
¹³ OBSOLETE	□□□□□□□□□□	45.21 [1.780]	19.81 [.780]
	□□□□□□□□	37.29 [1.468]	15.85 [.624]
	□□□□□□	29.36 [1.156]	11.89 [.468]
	□□□□	21.44 [.844]	7.92 [.312]
	□□□	13.51 [.532]	3.96 [.156]
	□□□□□□ ¹¹	25.40 [1.000]	11.89 [.468]
¹³ OBSOLETE	□□□□□□ ¹¹	29.36 [1.156]	11.89 [.468]
	□□□□□□ ¹¹	21.44 [.844]	7.92 [.312]
¹²	□□□□□□□□□□	57.10 [2.248]	27.74 [1.092]
	□□□□□□□□□□	49.17 [1.936]	23.77 [.936]
	□□□□□□□□□□	41.25 [1.624]	19.81 [.780]
	□□□□□□□□	33.32 [1.312]	15.85 [.624]
	□□□□□□	25.40 [1.000]	11.89 [.468]
	□□□□	17.48 [.688]	7.92 [.312]
	□□□□ ¹¹	17.48 [.688]	7.92 [.312]
	□□	9.55 [.376]	-
⁷	□	5.08 [.200]	-

THIS DRAWING IS A CONTROLLED DOCUMENT.

DIMENSIONS: mm [INCHES]

TOLERANCES UNLESS OTHERWISE SPECIFIED:

0 PLC	± -
1 PLC	± -
2 PLC	± -
3 PLC	± 0.13 [.005]
4 PLC	± -
ANGLES	± -

MATERIAL: GLASS FILLED POLYESTER
COLOR: BLACK

FINISH: -

WEIGHT: -

CUSTOMER DRAWING

APPROVALS:

DWN	E.BRANDBERG	25FEB93
CHK	SCOTT A. SHUEY	25FEB93
APVD	SCOTT A. SHUEY	25FEB93

NAME: SCOTT A. SHUEY

PRODUCT SPEC: -

APPLICATION SPEC: -

TE Connectivity

HOUSING, LOCKING CLIP,
SINGLE ROW, .156 CENTERS
FOR .031 X .062 POST

SIZE: A2 CAGE CODE: 00779 DRAWING NO: 87270 RESTRICTED TO: -

SCALE: 4:1 SHEET: 1 OF 1 REV: J2