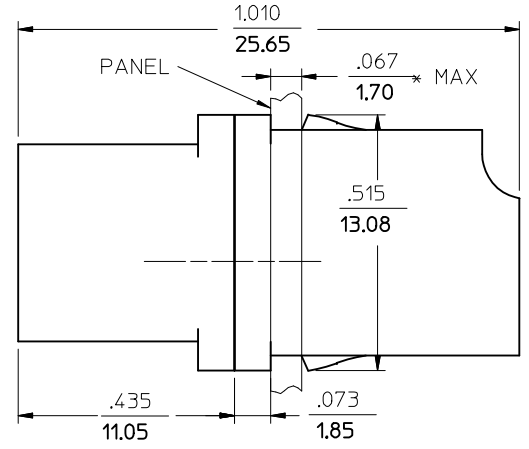
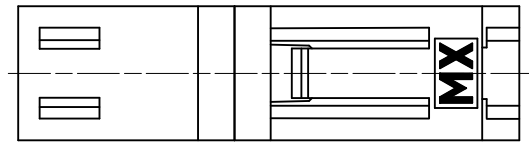
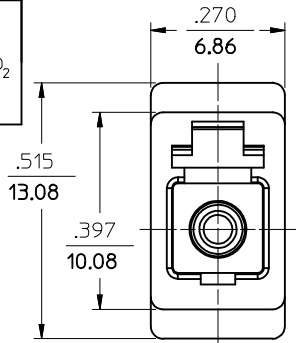
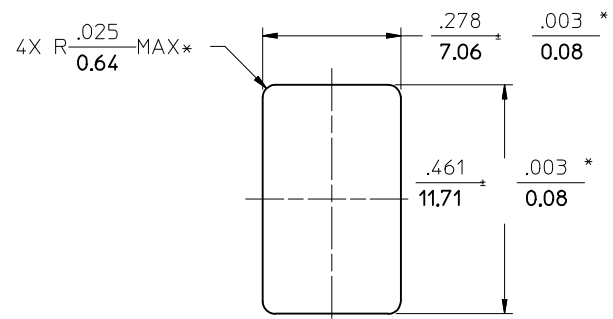
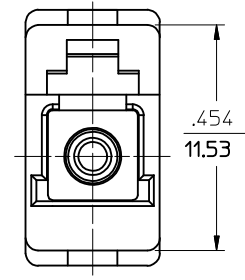


| ADAPTER P/N | COLOR | SPLIT SLEEVE MATERIAL |
|-------------|-------|-----------------------------|
| 106124-1000 | BLUE | ZIRCONIA - ZrO ₂ |
| 106124-0010 | BEIGE | Ph. Bronze |
| 106124-1050 | GREEN | ZIRCONIA - ZrO ₂ |
| 106124-0000 | BLUE | Ph. Bronze |
| 106124-1010 | BEIGE | ZIRCONIA - ZrO ₂ |
| 106124-1200 | AQUA | |



(DUST CAPS ARE NOT SHOWN)



RECOMMENDED PANEL CUTOUT
 PANEL THICKNESS $\frac{.067}{1.70}$ MAX.

NOTES:
 1. ALL DIMENSIONS ARE FOR REFERENCE ONLY, EXCEPT WHEN MARKED WITH (*).

| | | | | | |
|---|---|--|---|--|----------------------------------|
| ENTER DESCRIPTION EC NO: MF2013-0244 DRW: MKPEVZNER 2012/10/29 CHKD: APPR: LGUMIN 2012/10/31 REV B | QUALITY SYMBOLS ▽=0 ▽=0 | GENERAL TOLERANCES (UNLESS SPECIFIED) mm INCH 4 PLACES ± --- ± --- 3 PLACES ± --- ± --- 2 PLACES ± --- ± --- 1 PLACE ± --- ± --- 0 PLACE ± ± | DIMENSION STYLE IN/MM DRAWN BY PGIBLIN DATE 2005/10/03 CHECKED BY DATE APPROVED BY DATE | SCALE 4:1 DESIGN UNITS INCH THIRD ANGLE PROJECTION | TITLE LC ADAPTER, LOW PROFILE |
| | ANGULAR ±1/2° DRAFT WHERE APPLICABLE MUST REMAIN WITHIN DIMENSIONS | MATERIAL NO. SEE TABLE SIZE B | DOCUMENT NO. SD-106124-0000 | SHEET NO. 1 OF 1 | |
| | THIS DRAWING CONTAINS INFORMATION THAT IS PROPRIETARY TO MOLEX INCORPORATED AND SHOULD NOT BE USED WITHOUT WRITTEN PERMISSION | | | | |
| | molex | | | | |