

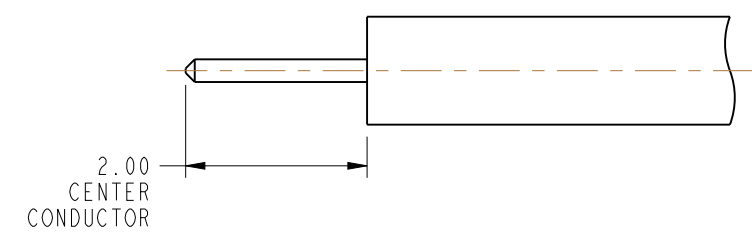
NOTES:

1. MATERIALS AND FINISHES:
 BODIES - BRASS, GOLD PLATING
 CONTACT - BeCu, GOLD PLATING
 INSULATORS - PTFE, NATURAL
2. ELECTRICAL:
 A. IMPEDANCE: 50 OHM
 B. FREQUENCY RANGE: 2 MHz - 40 GHz
 C. VSWR : 1.15:1 MAX @ DC - 40 GHz
 1.25:1 MAX @ 10 GHz - 26.5 GHz
 1.35:1 MAX @ 26.5 GHz - 40 GHz
3. MECHANICAL:
 A. DURABILITY: 100 MATING CYCLES MIN.
 B. TEMPERATURE RANGE: -65° C TO +165° C
4. PACKAGING:
 A. QUANTITY: SINGLE PACK
 B. MARKING: BAG TO BE MARKED
 "AMPHENOL RF, 925-134J-51S, AND DATE CODE"
5. CABLE ASSEMBLY INSTRUCTIONS.
 A. TRIM CABLE AS SHOWN.
 B. SLIDE INSULATOR DISC OVER THE CABLE CENTER CONDUCTOR.
 C. SOLDER CENTER CONTACT TO CABLE CENTER CONDUCTOR.
 D. INSERT CONTACT TO INSULATOR UNTIL CONTACT BOTTOMS.
 E. SOLDER OUTER CONDUCTOR OF CABLE TO REAR BODY.

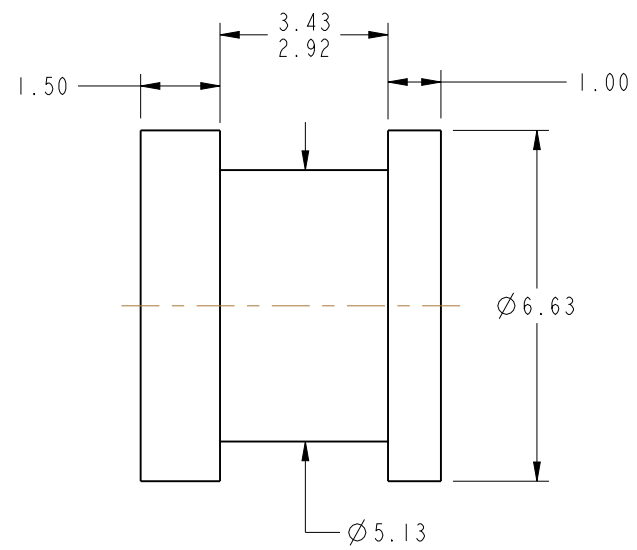
6 SHOWS CABLE ENTRY DIMENSIONS.

THIRD ANGLE PROJ.

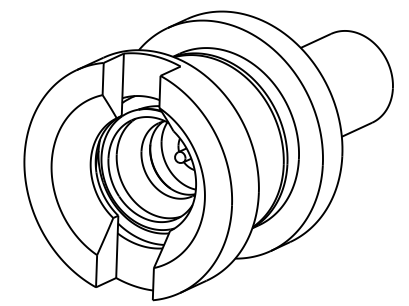
REV		DESCRIPTION	DATE	ECO	APPR
A		RELEASE TO MFG.	09-Sep-16	01850	CL



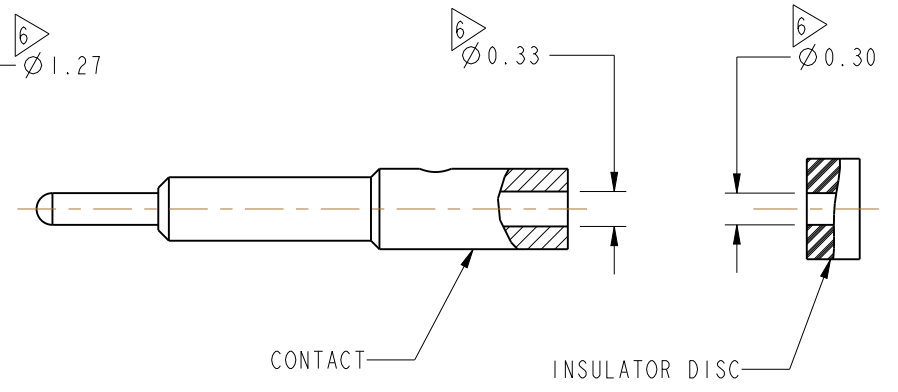
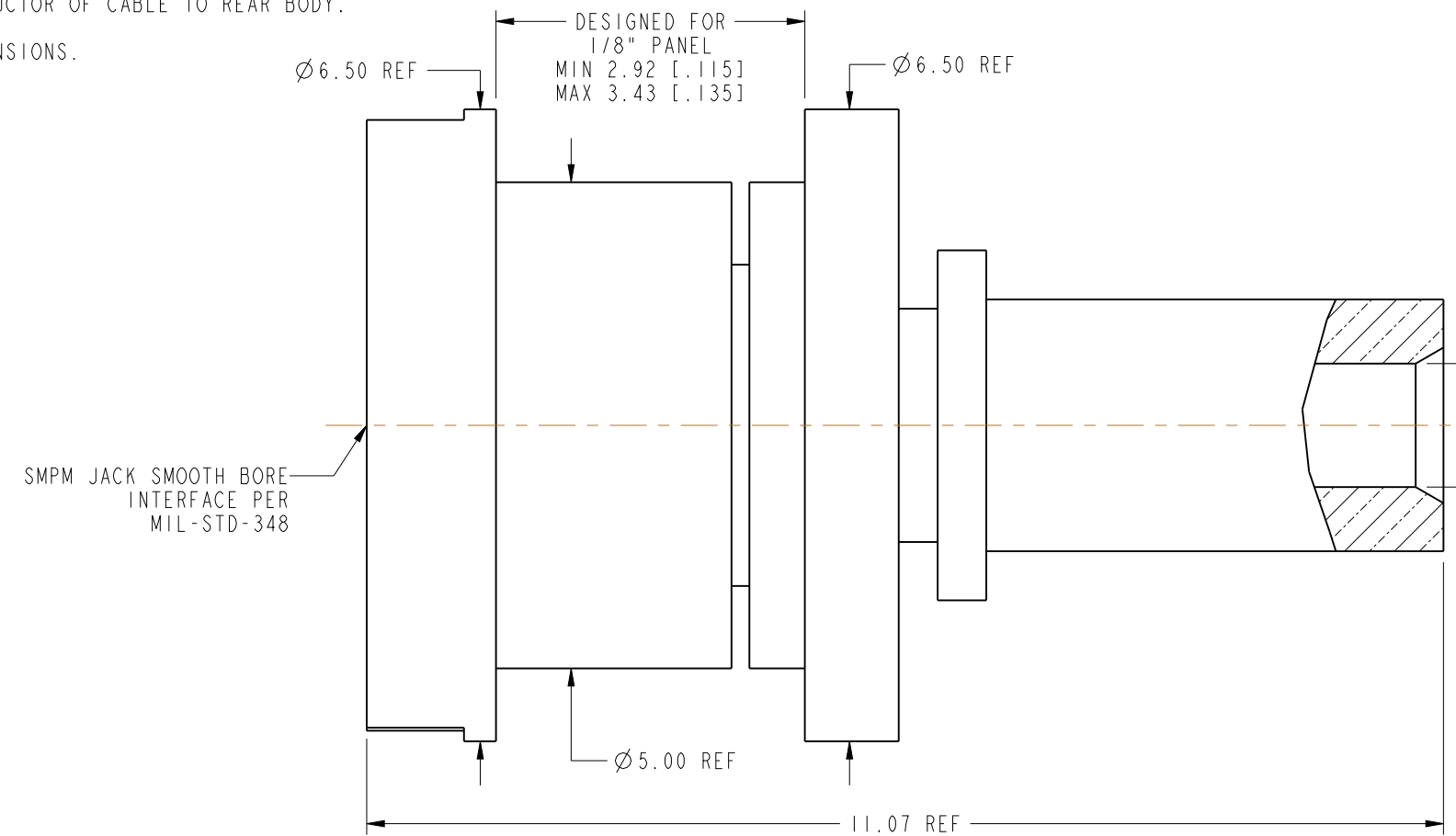
RECOMMENDED CABLE STRIPPING DIMENSIONS



RECOMMENDED MOUNTING HOLE DIMENSIONS



SCALE 5.000



CUSTOMER OUTLINE DRAWING

ALL OTHER SHEETS ARE FOR INTERNAL USE ONLY

UNLESS OTHERWISE SPECIFIED, DIMENSIONS ARE IN METRIC AND TOLERANCES ARE: <0.5mm ± 0.05mm 0.5 - 6mm ± 0.1mm 6 - 30mm ± 0.2mm 30 - 120mm ± 0.3mm ANGLES ± 1°	MATERIAL	DRAWN	DATE	TITLE SMPM STR BHD JACK FULL DETENT FOR 0.047 CABLE		Amphenol RF www.amphenolrf.com	
	SEE NOTES	E WANKOFF	14-Mar-13				
NOTICE - These drawings, specifications, or other data (1) are, and remain the property of Amphenol corp. (2) must be returned upon request; and (3) are confidential and not to be disclosed to any person other than those to whom they are given by Amphenol Corp. the furnishing of these drawings, specifications, or other data by Amphenol Corp., or to any other person to anyone for any purpose is not to be regarded by implication or otherwise in any manner licensing, granting rights to permitting such holder or any other person to manufacture, use or sell any product, process or design, patented or otherwise, that may in any way be related to or disclosed by said drawings, specifications, or other data.	REFERENCE	ENGINEER	DATE	SCALE: 14.0:1.0 SHEET 2 OF 2		DRAWING NO. 925-134J-51S ITEM NO. 925-134J-51S	
	EAR # 5420	E WANKOFF	14-Mar-13				
	CONFIGURATION LEVEL: In Work	APPROVED	DATE		DWG SIZE	REV	PART NO. 925-134J-51S
FINISH	K. CAPOZZI	09-Sep-16		B	A		