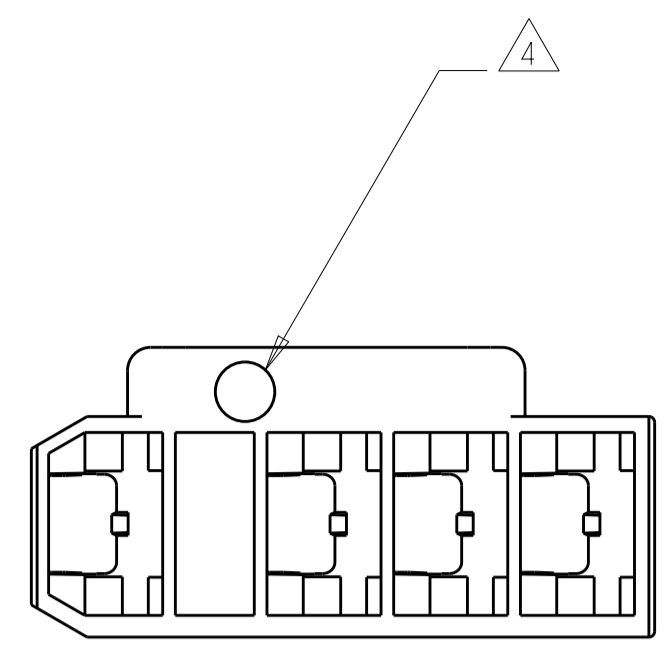
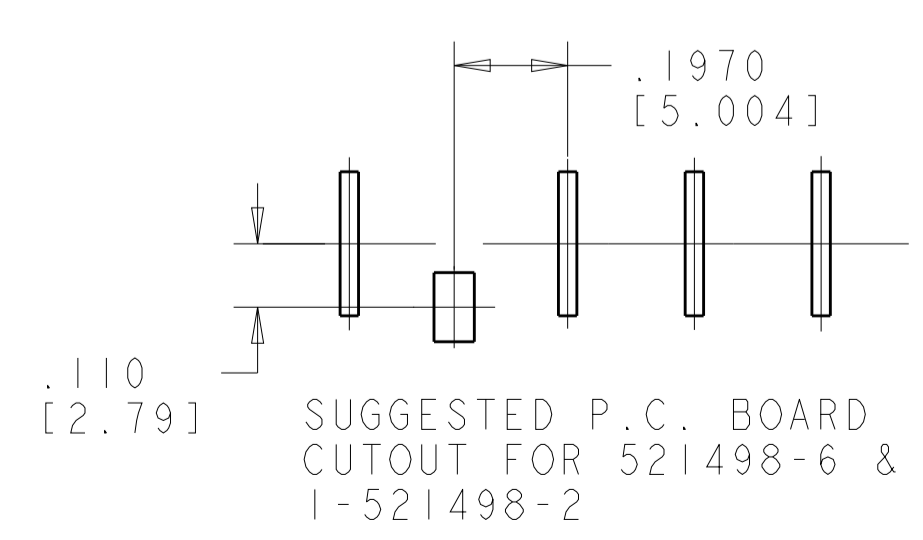
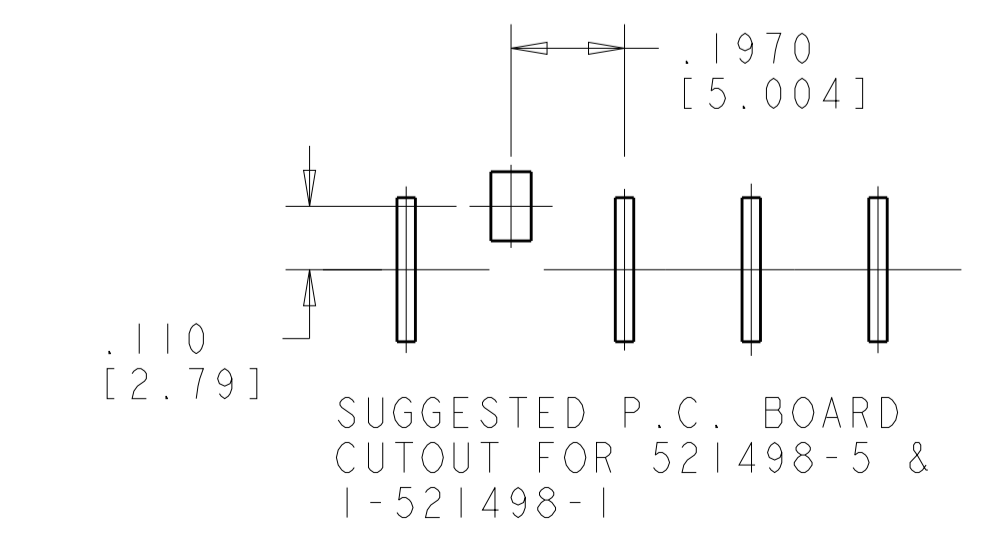
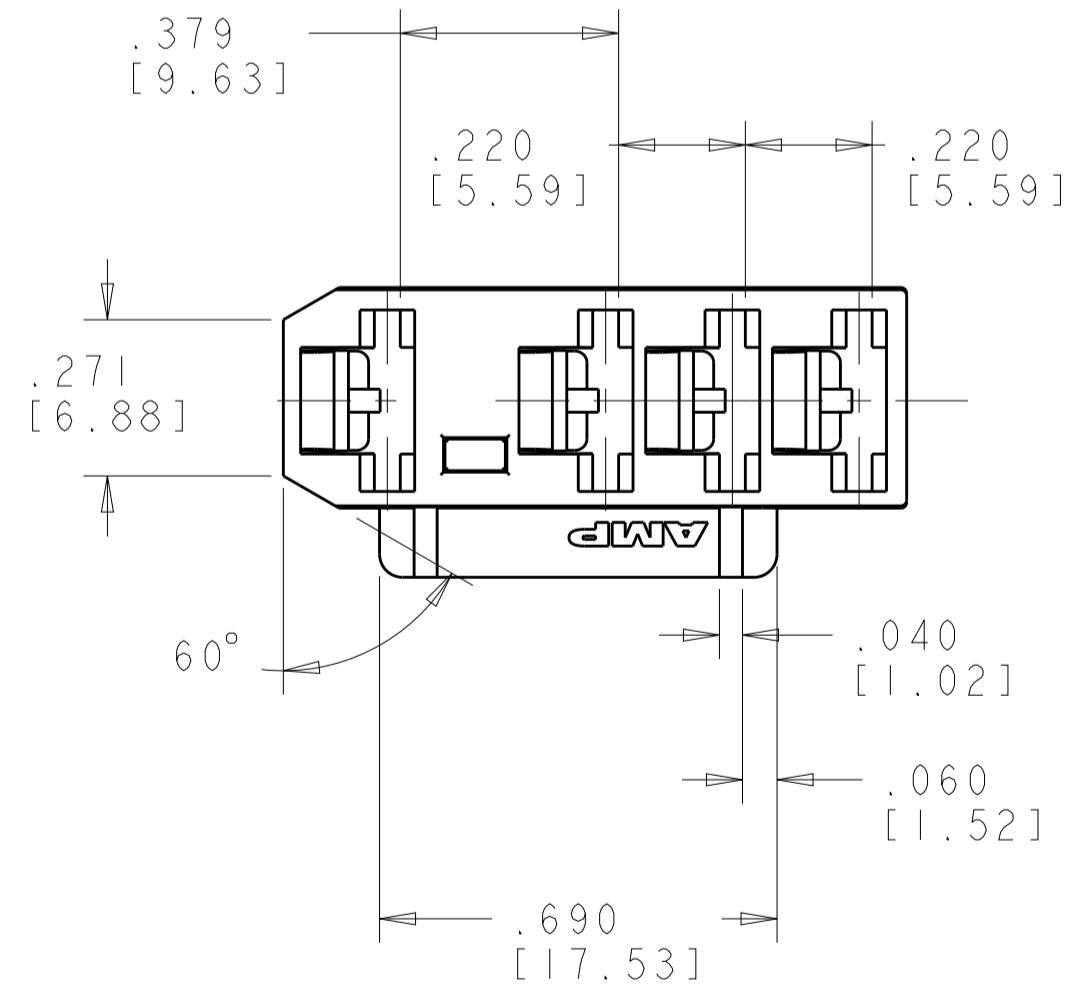
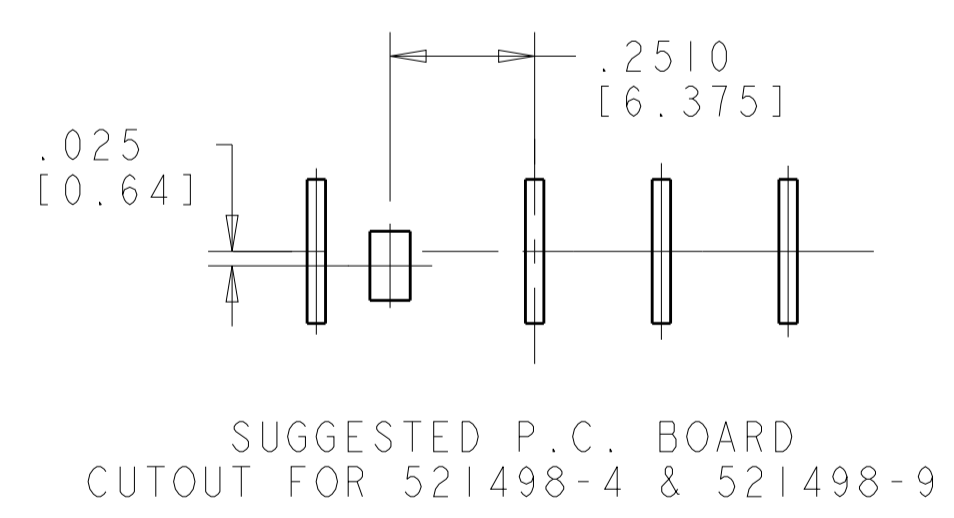
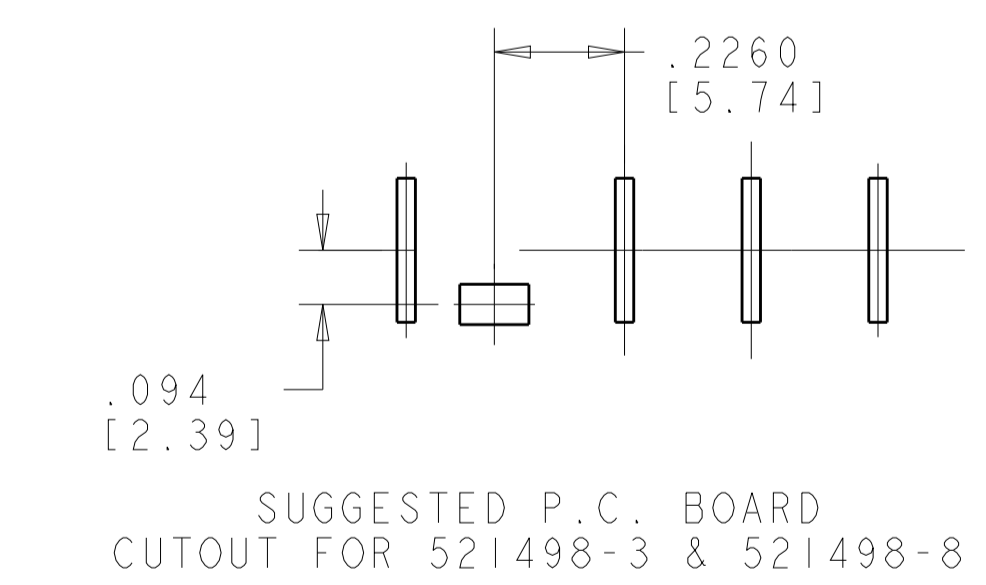
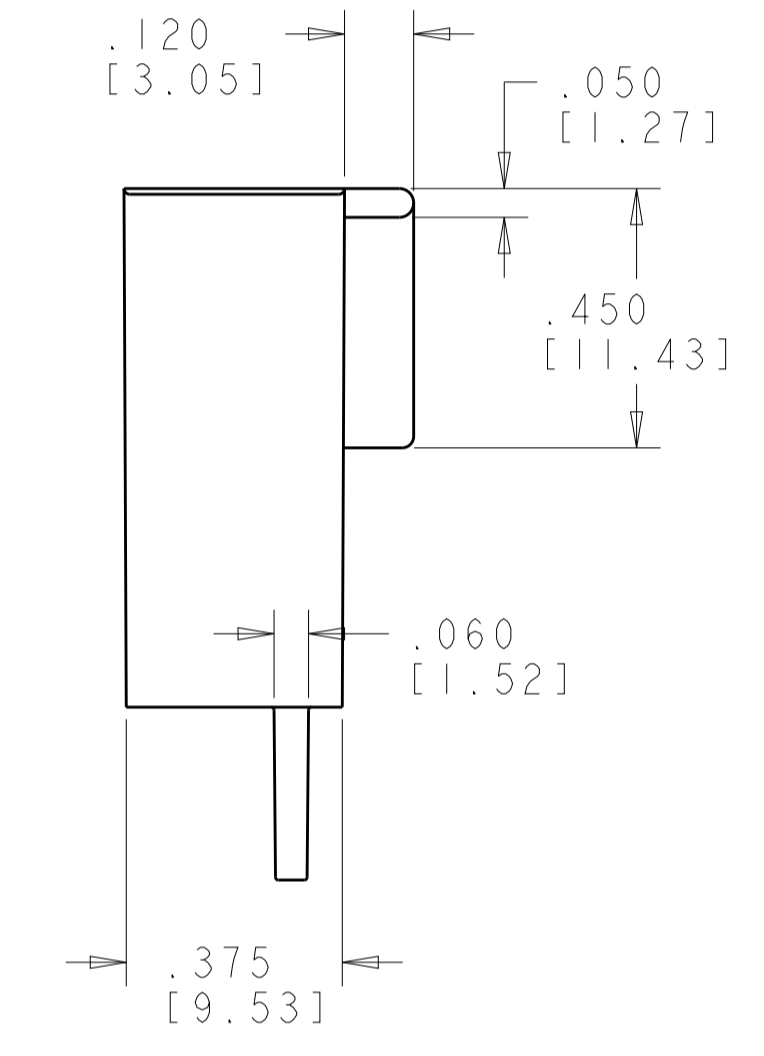
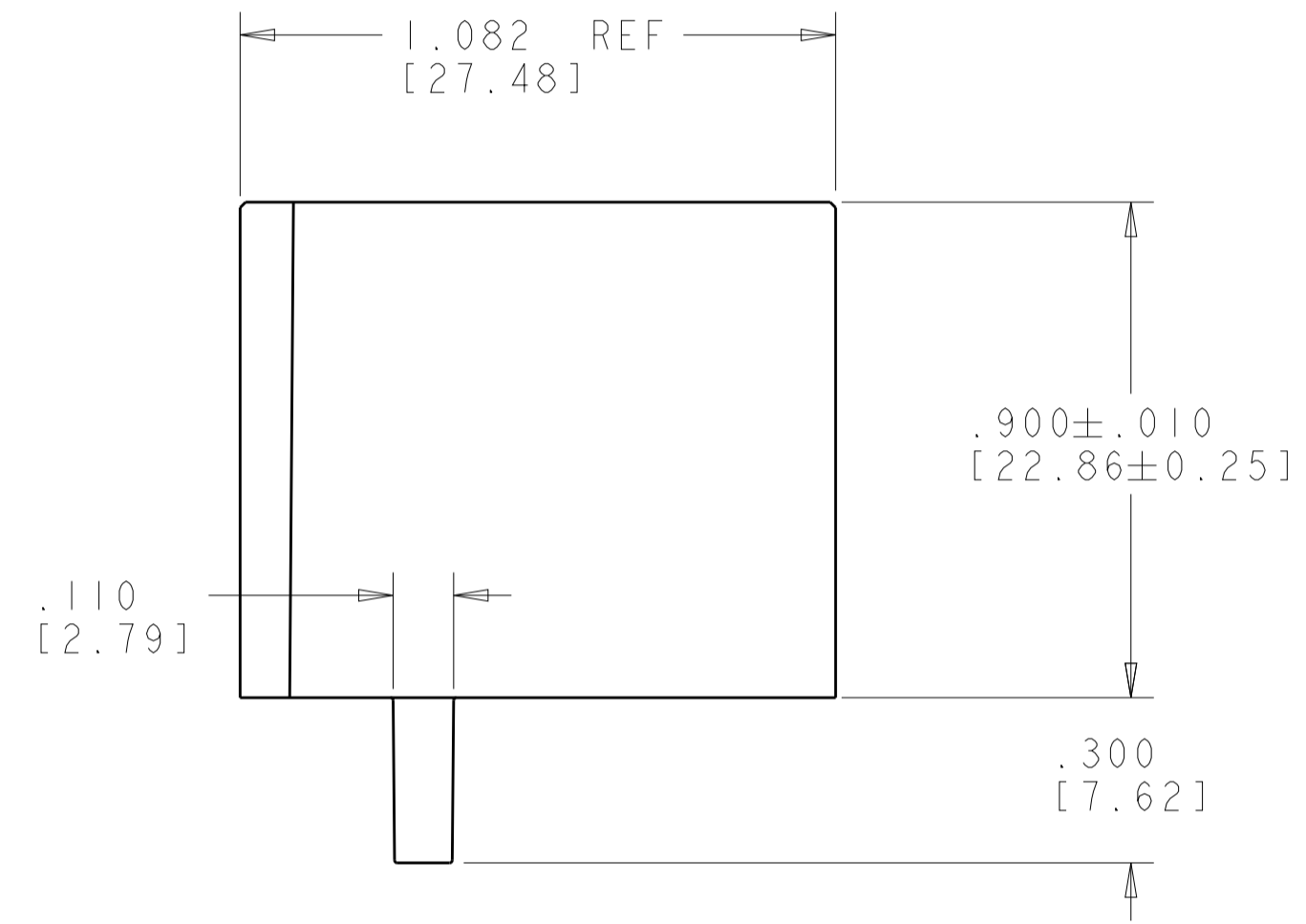
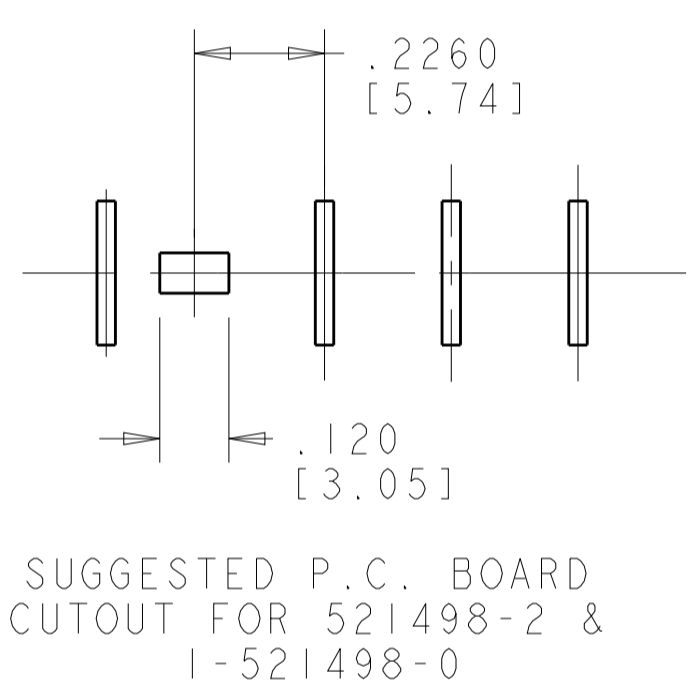
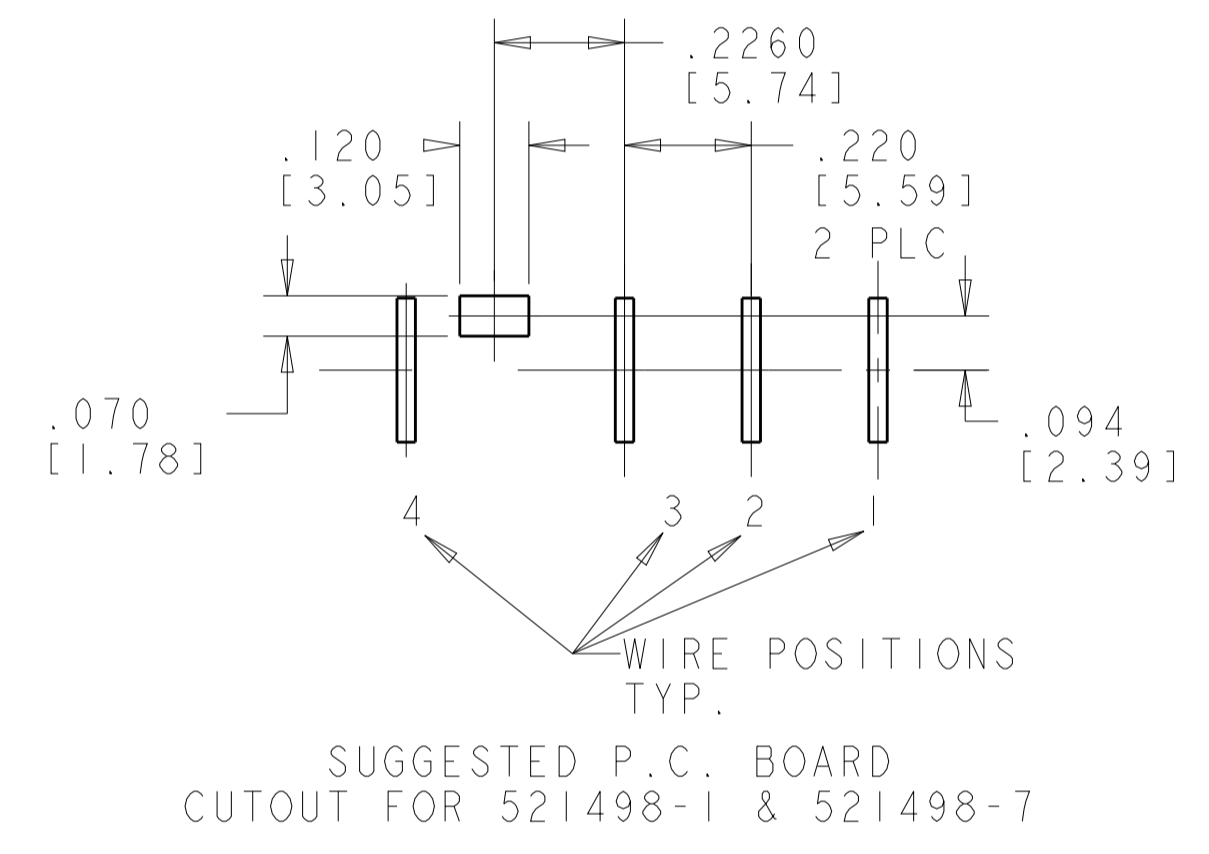


REVISIONS				
P.	LTN.	DESCRIPTION	DATE	APVD.
M10		REVISED PER ECR-09-027342	18DEC2009	HMR PD
M11		REVISED PER ECO-14-015023	08OCT2014	MD DL
M12		REVISED PER ECR-18-002453	07MAR2018	BDA DS



- FOR USE WITH TYCO ELECTRONICS 250 SERIES LOW INSERTION RECEPTACLES
- ALL SUGGESTED P.C. BOARD CUTOUTS ARE SHOWN FROM THE COMPONENT SIDE.
- V-0 LETTERS THIS LOCATION FOR -7 THRU -12 PARTS ONLY.
- BLUE COLOR MAY APPEAR GRAY
- 521498-7: BLUE PARTS MAY APPEAR MEDIUM BLUE TO LIGHT BLUE TO LIGHT GRAY IN COLOR AND MAY ALSO EXHIBIT A MARBLING EFFECT.
- 521498-8: YELLOW PARTS MAY APPEAR LIGHT YELLOW TO LIGHT BEIGE IN COLOR AND MAY ALSO EXHIBIT A MARBLING EFFECT.
- 1-521498-0: GREEN PARTS MAY APPEAR MEDIUM GREEN TO VERY LIGHT GREEN (MINT) IN COLOR AND MAY ALSO EXHIBIT A MARBLING EFFECT.
- 1-521498-2: RED PARTS MAY APPEAR DARK PINK, MEDIUM PINK, OR LIGHT PINK IN COLOR AND MAY ALSO EXHIBIT A MARBLING EFFECT.
- OBsolete PARTS



COLOR	MATERIAL	PART NUMBER
RED	NYLON, V-0	1-521498-2
WHITE	NYLON, V-0	1-521498-1
GREEN	NYLON, V-0	1-521498-0
BLACK	NYLON, V-0	521498-9
YELLOW	NYLON, V-0	521498-8
BLUE	NYLON, V-0	521498-7
RED	NYLON, V-2	521498-6
WHITE	NYLON, V-2	521498-5
BLACK	NYLON, V-2	521498-4
YELLOW	NYLON, V-2	521498-3
GREEN	NYLON, V-2	521498-2
BLUE	NYLON, V-2	521498-1

THIS DRAWING IS A CONTROLLED DOCUMENT.

TE Connectivity

HOUSING, RECEPTACLE FASTON, .250 [6.35] SERIES

SCALE 3:1 SHEET 1 OF 1