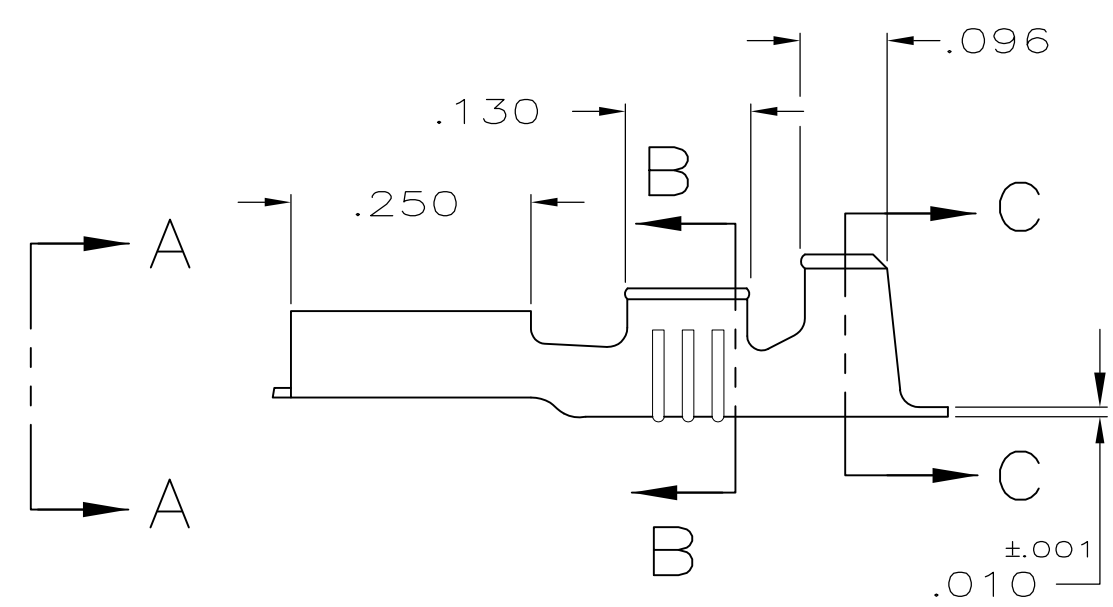
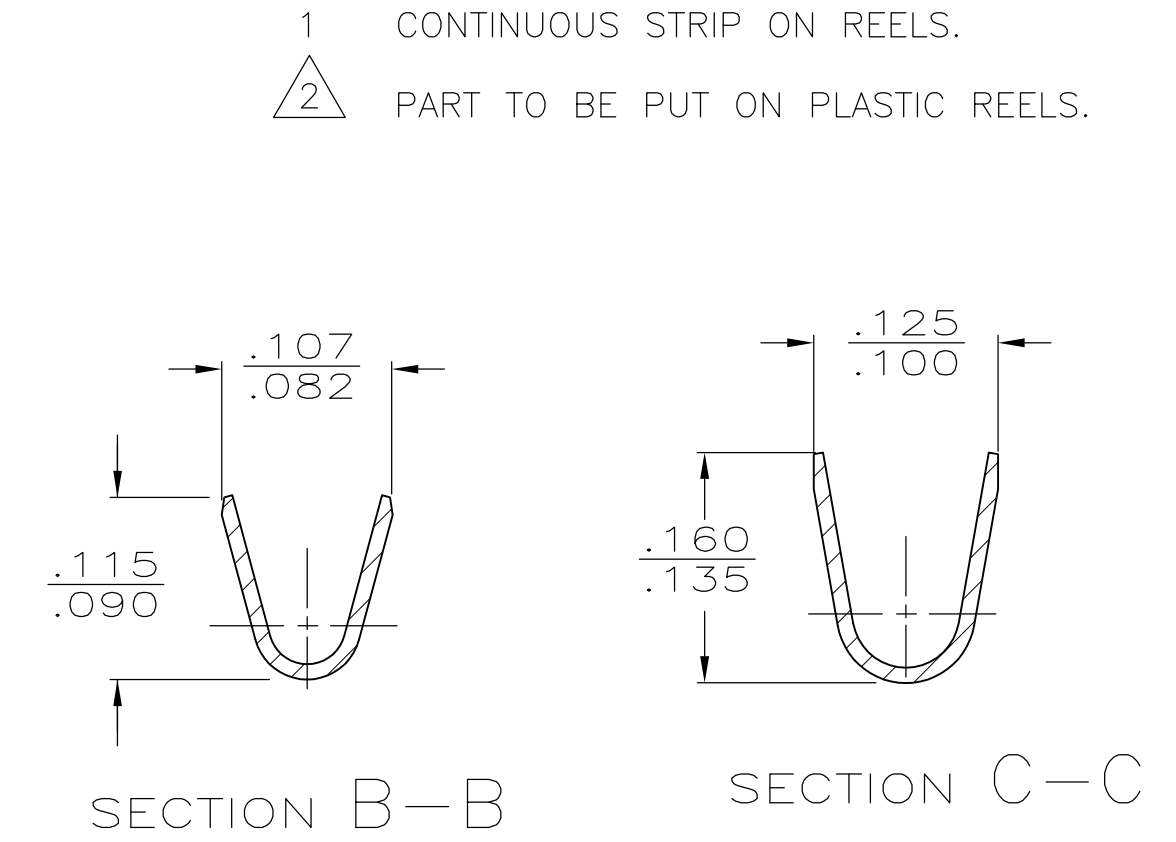
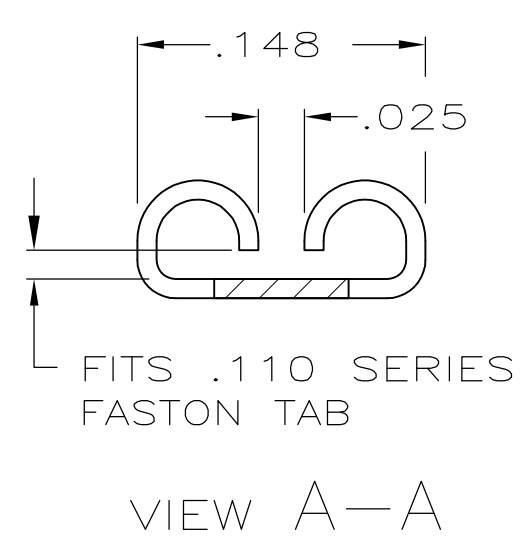
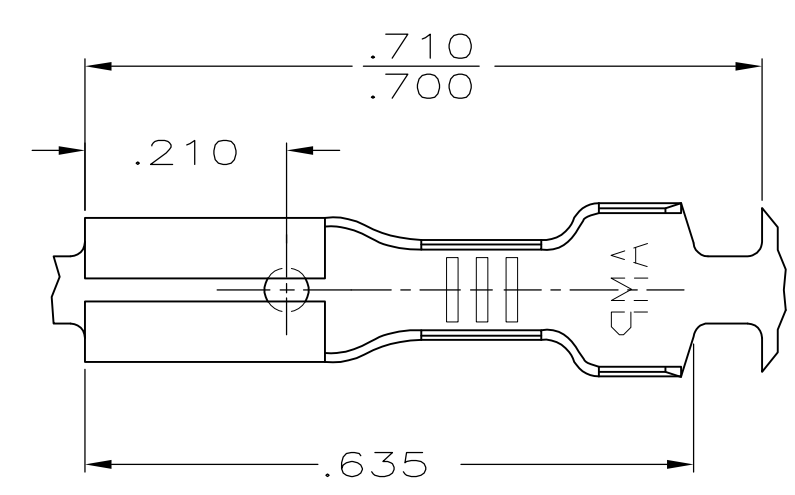


THIS DRAWING IS UNPUBLISHED. RELEASED FOR PUBLICATION
 © COPYRIGHT - By - ALL RIGHTS RESERVED.

LOC	DIST	REVISIONS					
AF	50	P	LTR	DESCRIPTION	DATE	DWN	APVD
			AS	REVISED PER ECR-12-013445	18OCT12	KH	PD



OBSOLETE	PRE-TIN	BRASS	.060-.100	22-18	.016	60118-4 ²
	SILVER	#4H PHOS BRZ	.060-.100	22-18	.016	60118-2
	PRE-TIN	BRASS	.060-.100	22-18	.016	60118-1
	FINISH	MATERIAL	INSUL RANGE	WIRE SIZE	MATING ±.001 TAB THK	PART NUMBER

THIS DRAWING IS A CONTROLLED DOCUMENT.		DWN JR RUTH 6/23/87	TE Connectivity RECEPTACLE, FASTON,™ .110 SERIES			
DIMENSIONS: INCHES		CHK G YETTER 6/23/87				
TOLERANCES UNLESS OTHERWISE SPECIFIED:		APVD C MEYERS 6/23/87	NAME			
0 PLC ± - 1 PLC ± - 2 PLC ± - 3 PLC ± .015 4 PLC ± - ANGLES ± -		PRODUCT SPEC	RESTRICTED TO			
MATERIAL SEE TABLE		FINISH SEE TABLE	APPLICATION SPEC	SIZE	CAGE CODE	DRAWING NO
			WEIGHT	A3	00779	C-60118
CUSTOMER DRAWING			SCALE	NTS	SHEET	1 OF 1
			REV AS			