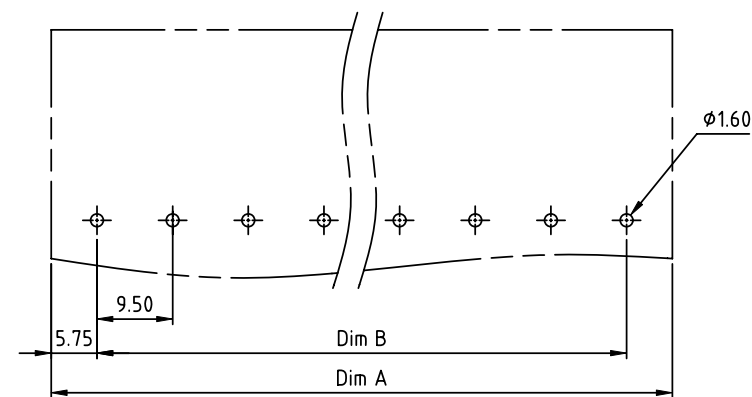
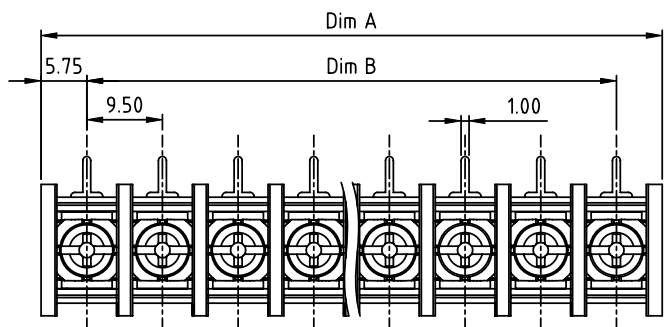
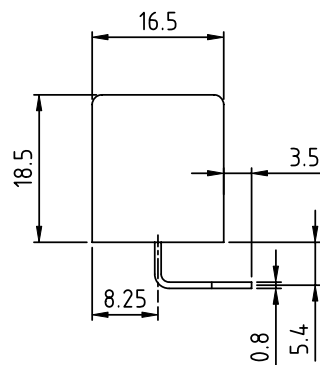
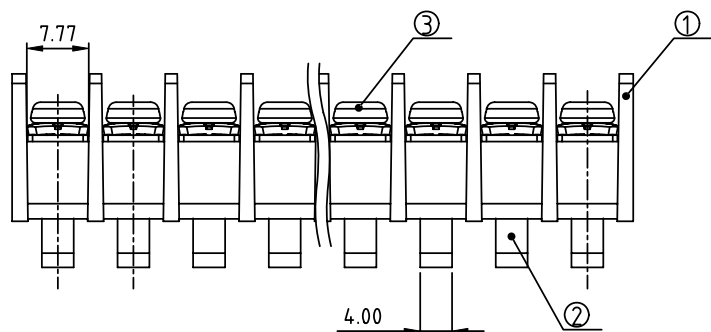


PRODUCT NUMBER	PITCH
YK513xx0x0J0G	9.50 mm



RECOMMENDED P.C.B LAYOUT  
TOP VIEW



**MATERIALS & ELECTRICAL**  
 RATED VOLTAGE & CURRENT: 300 V, 30A  
 WITHSTAND VOLTAGE: AC 2000 V/Min  
 INSULATION RESISTANCE: 1000 MΩ OR MORE AT DC 500 V  
 OPERATING TEMPERATURE RANG: -40 °C ~ +115 °C  
 SCREW TORQUE VALUE: 8.8 Lb-In.  
 WIRE RANGE: 10-22 AWG  
 1) HOUSING: Thermoplastic, UL 94 V-0 BLACK  
 2) TERMINAL: BRASS, 0.8t  
 3) TERMINAL SCREWS: STEEL, M3.5  
 APPROVAL: us

DIMENSION

Dim A	N×9.5+2.0
Dim B	(N-1)×9.5

N=Number of poles

Poles	Tolerance
2p-3p	±0.30
4p-12p	±0.40
13p-30p	±0.60

PART NO.: YK 513xx 0 x 0 J0G

No. of poles  
 02 2 poles  
 03 3 poles  
 ...  
 30 30 poles

Plated		
Code	Terminal	Screw
0	G/F	G/F
1	G/F	Zinc
2	Tin	G/F
3	Tin	Zinc

RoHS compliant  
 (lead<4%)  
 In copper Alloy

mat'l. code		surface ASME Y14.5 ✓	tolerance ASME Y14.5	projection 	product family TERMINAL BLOCK
ltr	ecn no	dr	date	tolerances unless otherwise specified	title TERMINAL BLOCK
				angles X°±1°	BARRIER TYPE
				scale MM	sheet 1 of 1 size A4
		dr	EVAN LU	061314	FCI type CUSTOMER Drawing
		enr	EVAN LU	061314	
		chr	HANKE FENG	061314	
		appd	SHI JUN	061314	
sheet index	revision sheet	A	1		