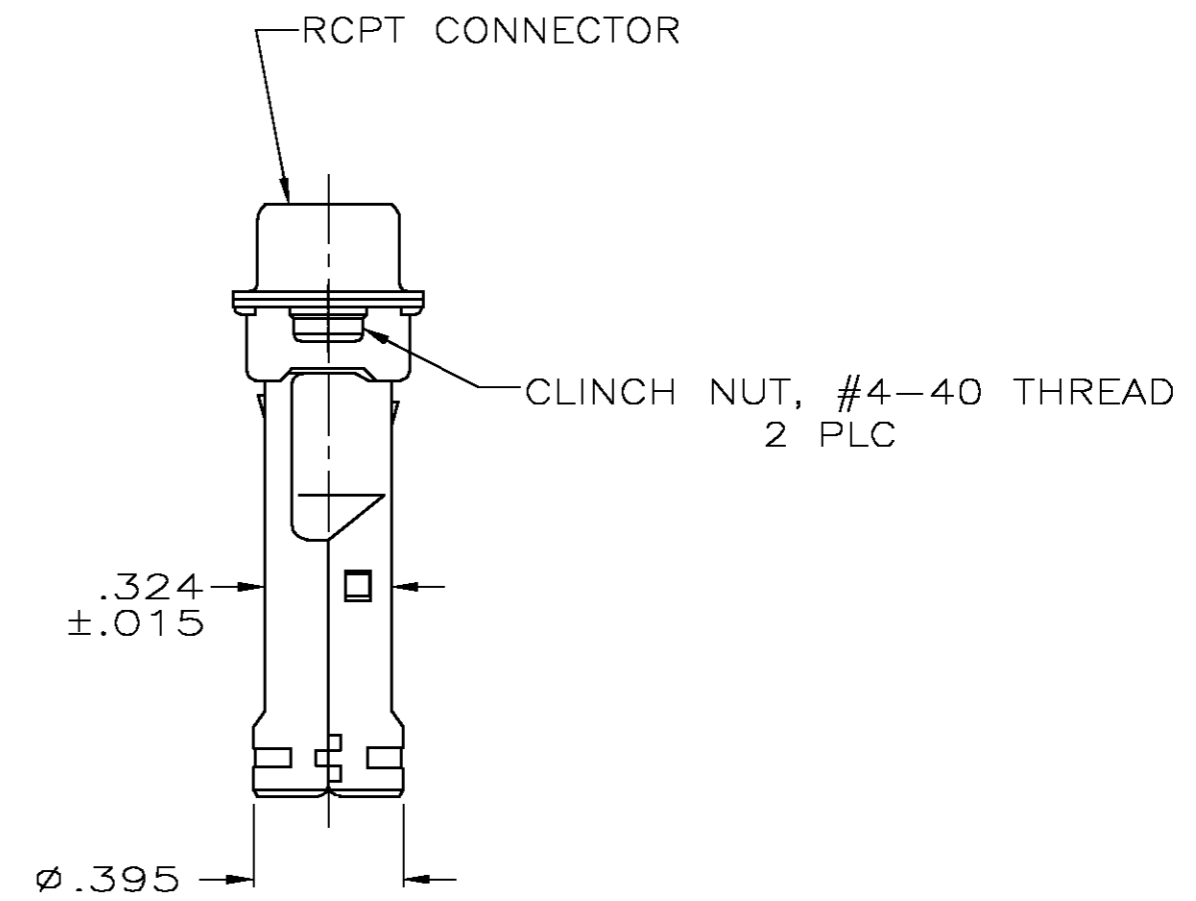
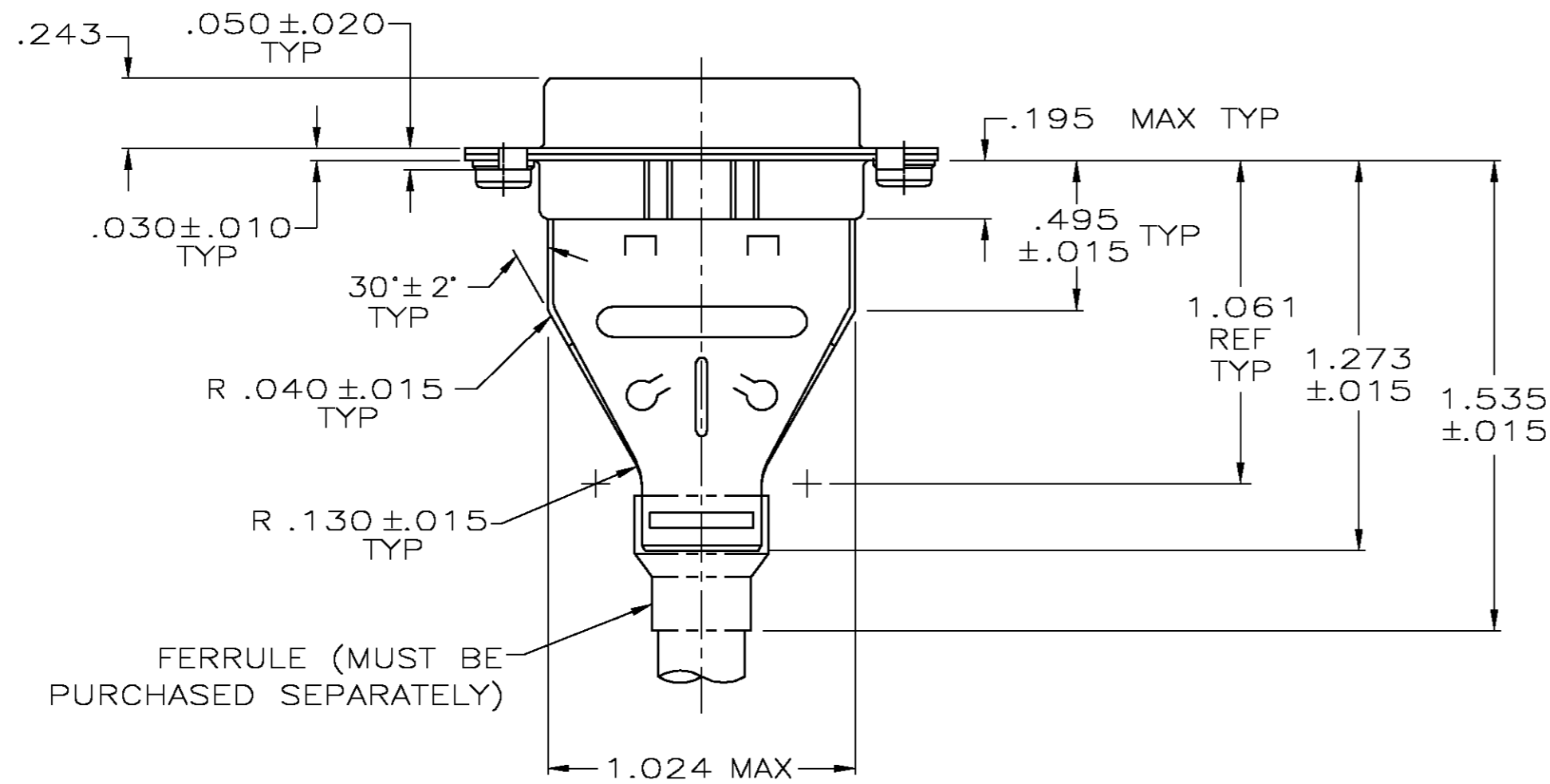
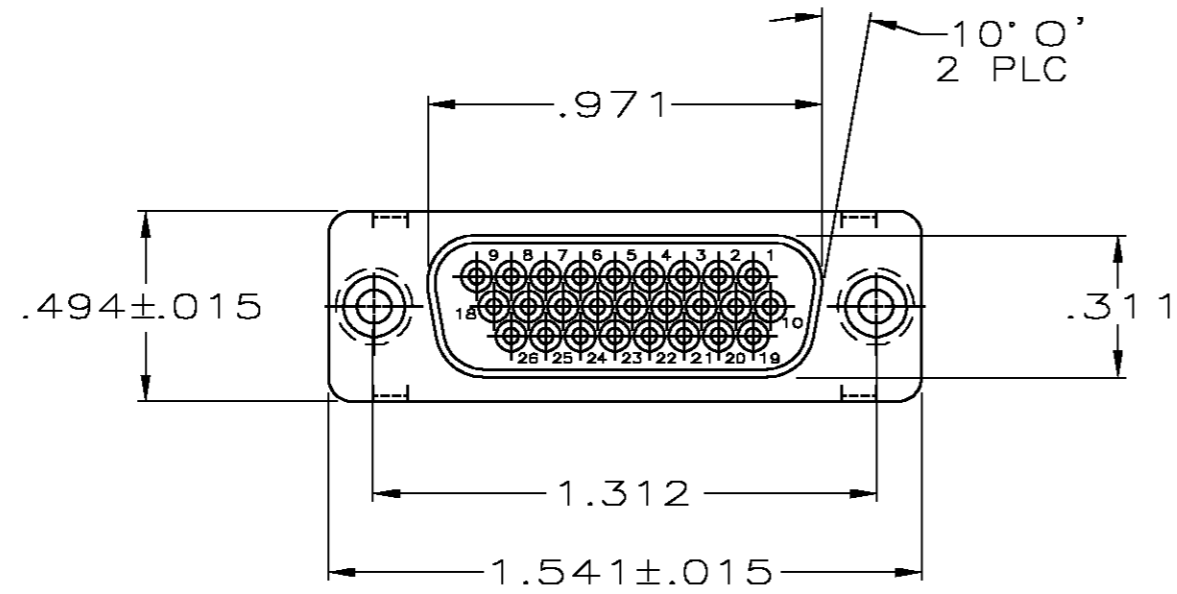


THIS DRAWING IS UNPUBLISHED. RELEASED FOR PUBLICATION  
 © COPYRIGHT BY TYCO ELECTRONICS CORPORATION. ALL RIGHTS RESERVED.

LOC		DIST		REVISIONS			
P	LTR	DESCRIPTION		DATE	DWN	APVD	
GP	00	0		RELEASED PER EC 0S13-0257-04	11-12-04	GA	JG



1. RCPT ACCEPTS SIZE 22 DF SOCKET CONTACTS (CONTACTS MUST BE ORDERED SEPARATELY).

2. ALL PARTS SHIPPED UNASSEMBLED, EACH PART INDIVIDUALLY BULK PACKED.

③ HOUSING: FLAME RETARDANT 94V-0 RATED, GLASS FILLED NYLON, BLACK.

④ CLINCH NUTS: STEEL.

⑤ CLINCH NUTS: ZINC PLATED PER ASTM 8633, TYPE II, CLASS SC1, YELLOW CHROMATE.

⑥ SHELLS & SHIELDS: STEEL PER ASTM A109.

⑦ SHELLS & SHIELDS: TIN PLATED.

5788819-1  
 PART NUMBER

THIS DRAWING IS A CONTROLLED DOCUMENT.		DWN 11-12-04 G. ATTADIA - DOCK5	Tyco Electronics Corporation Harrisburg, PA 17105-3608	
DIMENSIONS: INCHES		CHK 11-12-04 S. BOLASH	NAME	
TOLERANCES UNLESS OTHERWISE SPECIFIED:		APVD 11-12-04 M. WALMSLEY	KIT RCPT, SIZE 2	
0 PLC ± -		PRODUCT SPEC	26 POSITION, W/CLINCH NUTS, AMPLIMITE HDP-22	
1 PLC ± -		APPLICATION SPEC	SIZE	CAGE CODE
2 PLC ± -		114-10001	A2	00779
3 PLC ± .005		WEIGHT	C=5788819	
4 PLC ± -		RESTRICTED TO	-	
ANGLES ± 0° 30'		SCALE 2:1 SHEET 1 OF 1 REV 0		
FINISH		CUSTOMER DRAWING		