

MATERIALS AND FINISHES

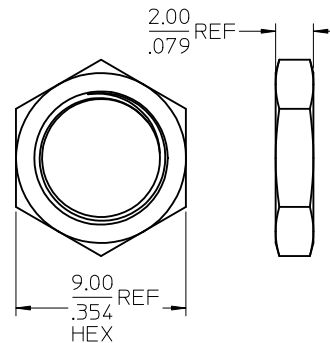
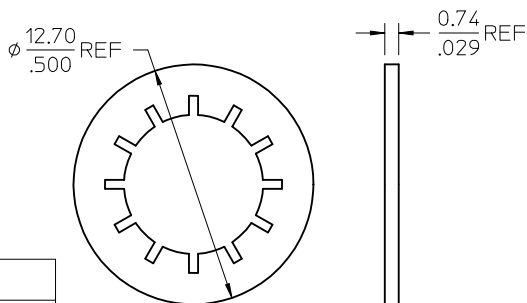
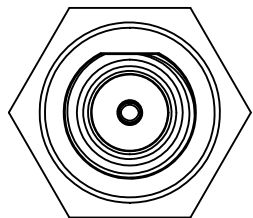
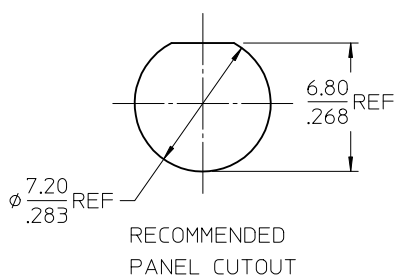
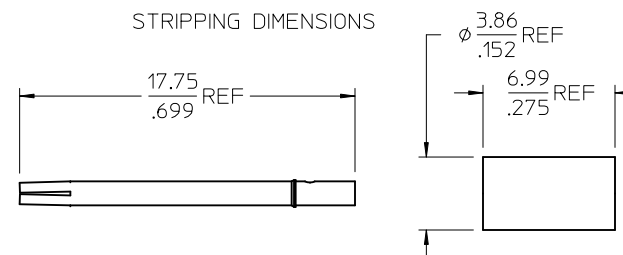
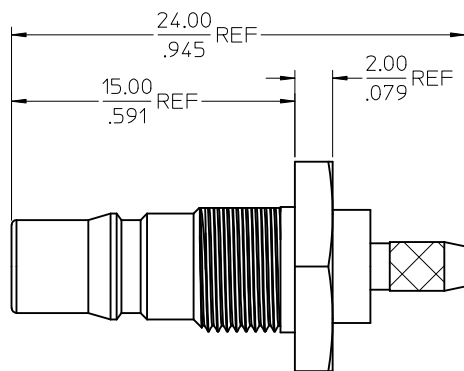
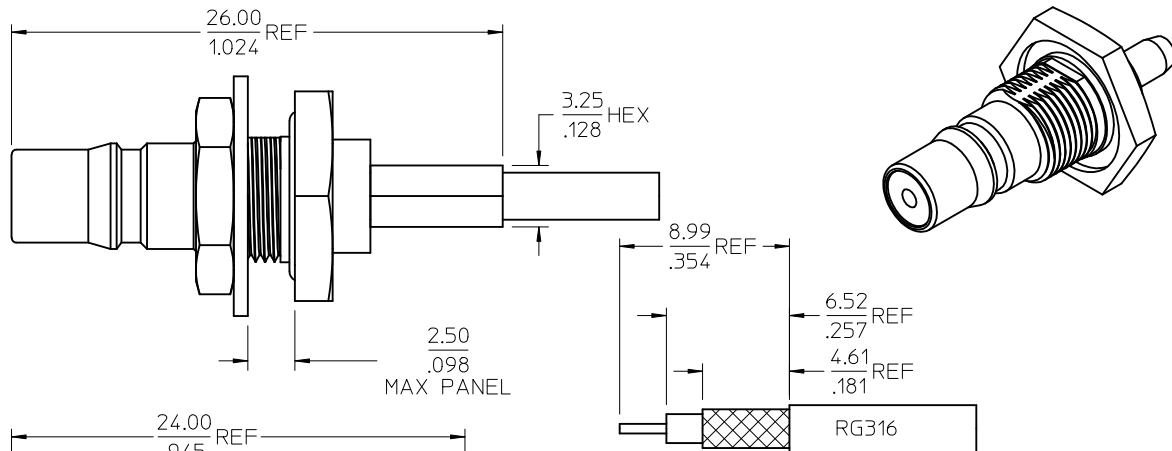
BODY: BRASS
PLATED TRI-METAL

CENTER CONTACT BERYLLIUM COPPER
PLATED GOLD

INSULATOR TEFLON

CRIMP TUBE, JAM NUT: BRASS
PLATED NICKEL

LOCKWASHER: PHOSPHOR BRONZE
PLATED TRI-METAL



73254-0101	ONE PIECE 73254-0100 PER BAG
73254-0100	BULK
PART NO.	PACKAGING

<p>CHG: CLARIFIED BAGGING.</p> <p>EC NO: URF2010-0369</p> <p>DRWN:ROBERTSON 2009/12/18</p> <p>CHKD:SSS 2009/12/18</p> <p>APPR:WIENER 2009/12/18</p>	
---	--

QUALITY SYMBOLS	<p>▽=0</p> <p>▽=0</p>
REV	B3

GENERAL TOLERANCES (UNLESS SPECIFIED)	<table border="1"> <tr> <th></th> <th>mm</th> <th>INCH</th> </tr> <tr> <td>4 PLACES</td> <td>± .---</td> <td>± .---</td> </tr> <tr> <td>3 PLACES</td> <td>± .---</td> <td>± .---</td> </tr> <tr> <td>2 PLACES</td> <td>± .---</td> <td>± .---</td> </tr> <tr> <td>1 PLACE</td> <td>± .---</td> <td>± .---</td> </tr> </table> <p>ANGULAR ± 2 °</p> <p>DRAFT WHERE APPLICABLE MUST REMAIN WITHIN DIMENSIONS</p>		mm	INCH	4 PLACES	± .---	± .---	3 PLACES	± .---	± .---	2 PLACES	± .---	± .---	1 PLACE	± .---	± .---
	mm	INCH														
4 PLACES	± .---	± .---														
3 PLACES	± .---	± .---														
2 PLACES	± .---	± .---														
1 PLACE	± .---	± .---														

DIMENSION STYLE	MM/IN
DRAWN BY	TEF
DATE	2003/10/07
CHECKED BY	SSS
DATE	2003/10/07
APPROVED BY	GMH
DATE	2003/10/07
MATERIAL NO.	SEE TABLE
SIZE	C

SCALE	DESIGN UNITS	THIRD ANGLE PROJECTION
	METRIC	
<p>TITLE</p> <p>QMA JACK, RG316 50 OHMS, EWR-2192 QMA-JC</p>		
<p>MOLEX INCORPORATED</p>		<p>SHEET NO.</p> <p>1 OF 1</p>
<p>DOCUMENT NO.</p> <p>SD-73254-010</p>		
<p>THIS DRAWING CONTAINS INFORMATION THAT IS PROPRIETARY TO MOLEX INCORPORATED AND SHOULD NOT BE USED WITHOUT WRITTEN PERMISSION</p>		