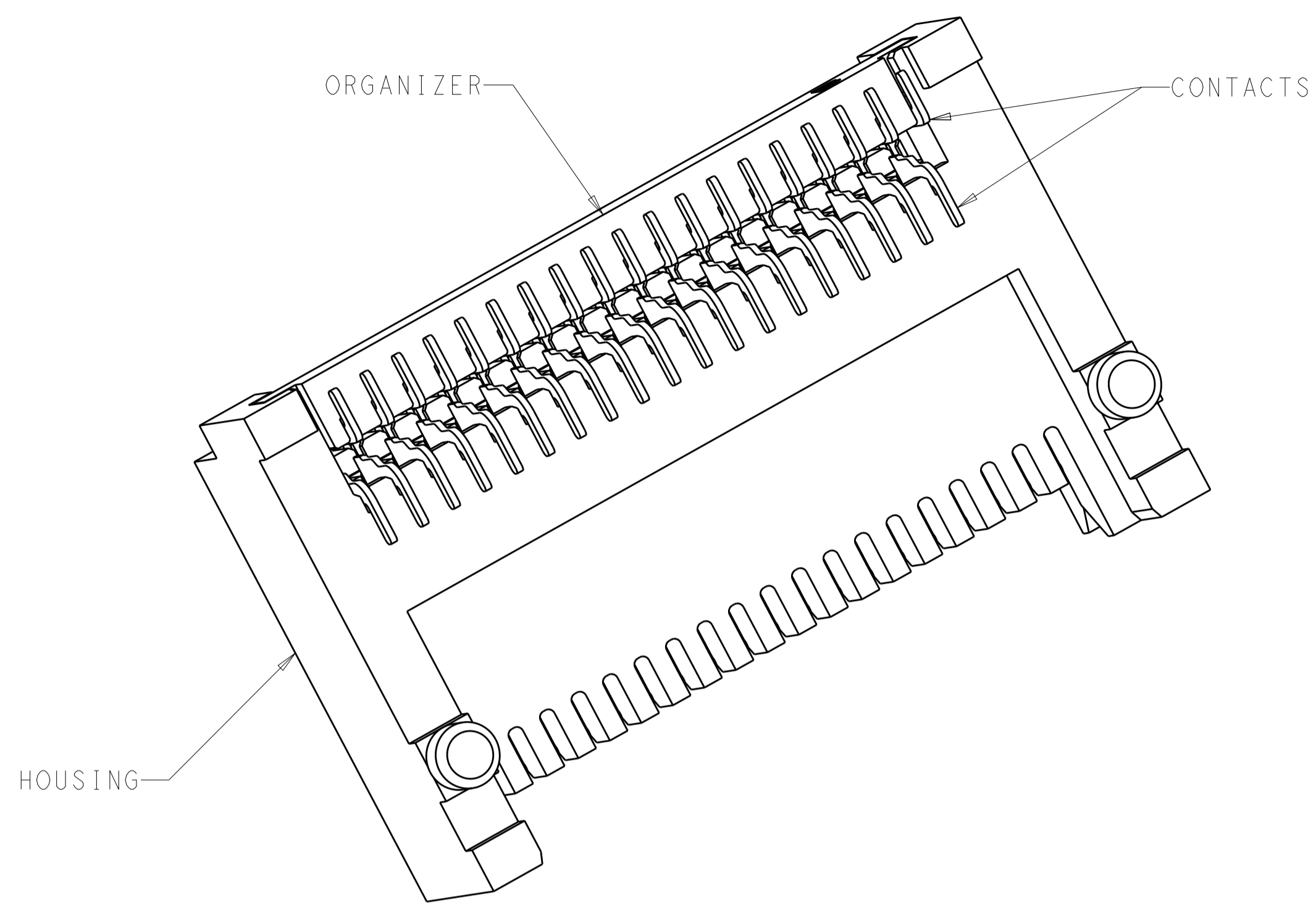
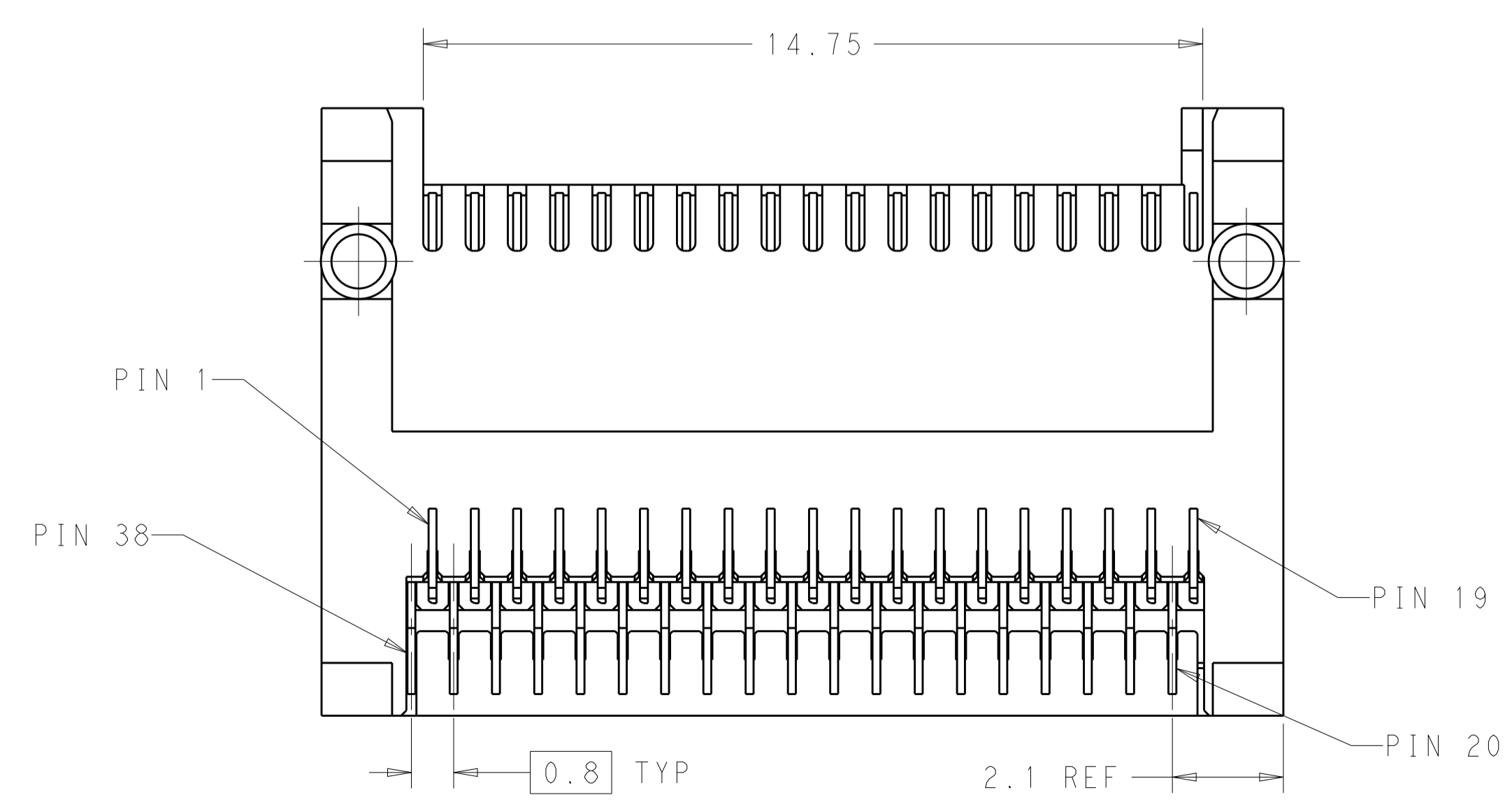
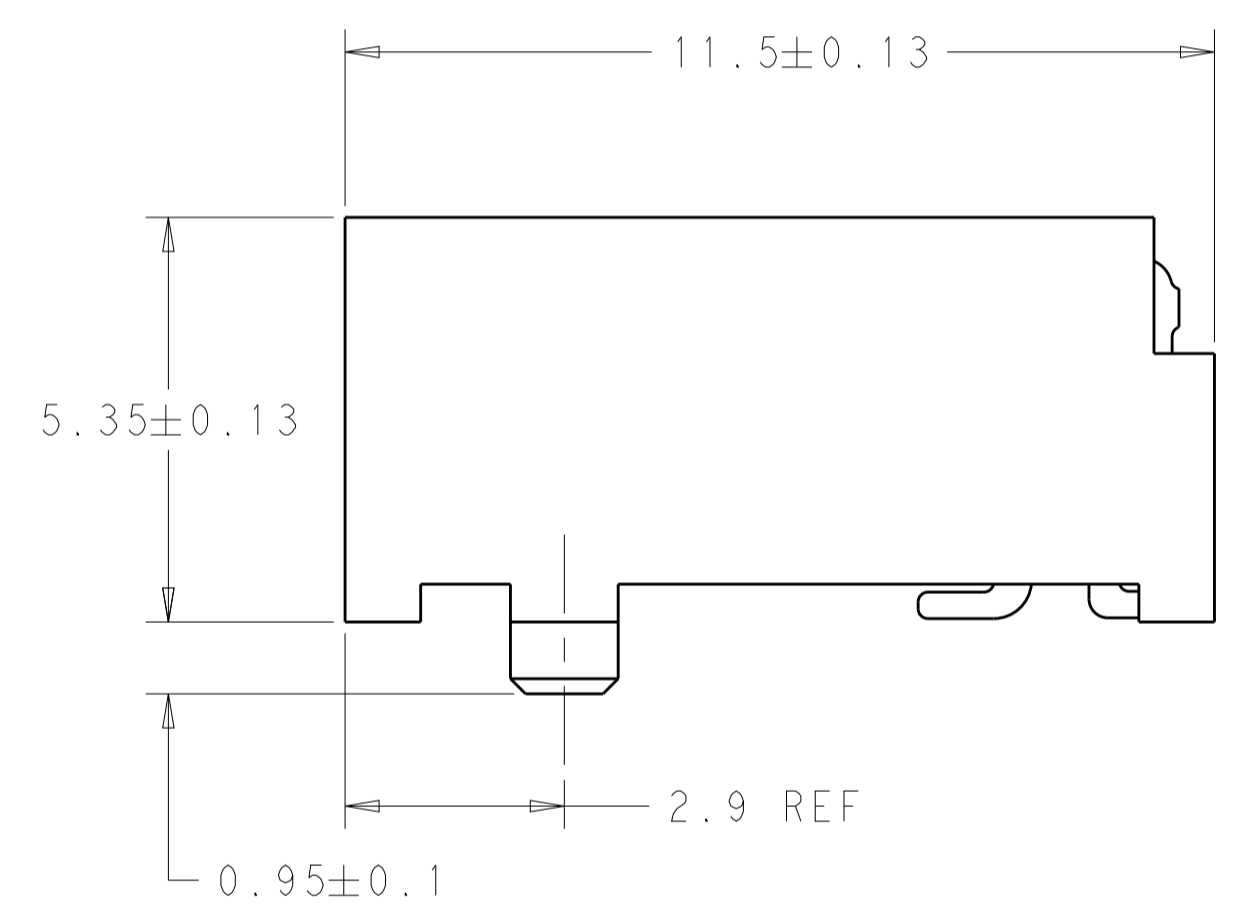
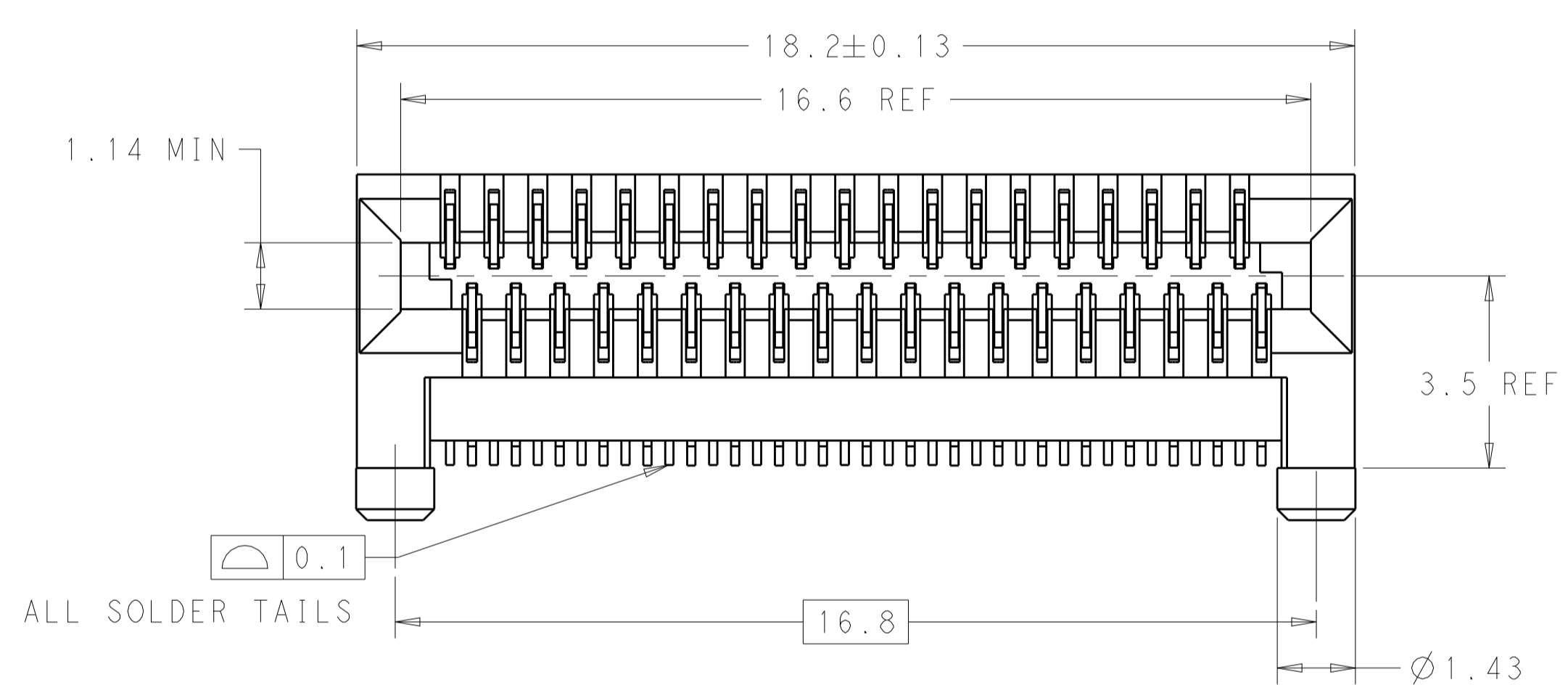


LOC	DIST	REVISIONS					
GP	00	P	LTN	DESCRIPTION	DATE	DWN	APVD
		E		PER ECR-12-015568	03SEP2012	DZ	JY
		F		RELEASED PER ECO-13-010325	19JUN2013	RG	AC
		F1		REVISED PER ECR-15-013279	8SEP2015	RG	SH
		F2		REVISED PER ECO-16-013640	9SEP2016	RG	SH



- ⚠ MATERIAL: HOUSING AND ORGANIZER: LCP, UL94V-0 RATED, BLACK.
 CONTACTS: COPPER ALLOY, 0.15 THICK.
- ⚠ FINISH: CONTACTS: CONFORMS TO THE REQUIREMENTS OF TYCO ELECTRONICS PRODUCT SPECIFICATION 108-2425, BASED ON EIA/ECA-364-1000.01A, (CONTROLLED ENVIRONMENT APPLICATIONS) ON MATING INTERFACE.
 TIN ON SOLDER TAILS
- 3. MATES WITH SFF-8436 COMPLIANT MODULES.
- ⚠ DATUM AND BASIC DIMENSION ESTABLISHED BY CUSTOMER.
- 5. DATUM R IS THE TOP SURFACE OF THE HOST PC BOARD.



CARRIER TAPE WIDTH 32mm, PITCH 16mm	⚠	2110819-4
CARRIER TAPE WIDTH 32mm, PITCH 20mm	⚠	2110819-1
PACKAGE SPECIFICATION	FINISH	PART NUMBER

THIS DRAWING IS A CONTROLLED DOCUMENT.

DWN: C. VALENTINI 27OCT2009
 CHK: J. PETERSON 27OCT2009
 APVD: J. PETERSON 27OCT2009

STE TE Connectivity

NAME: QSFP+ ENHANCED EVERCLEAR, PT CONNECTOR, RIGHT ANGLE

PRODUCT SPEC: 108-2425
 APPLICATION SPEC: 114-13221

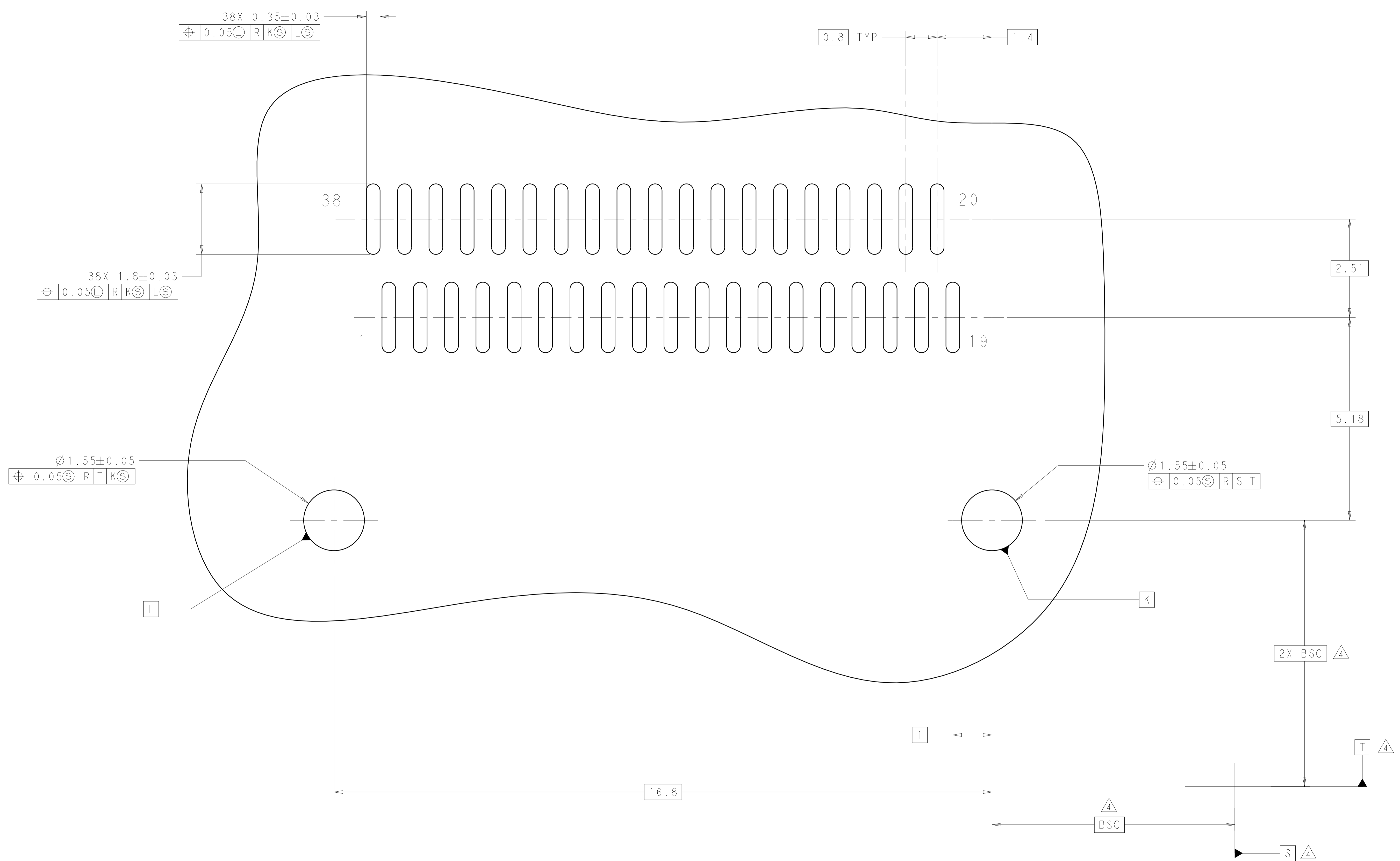
SIZE: A1
 CAGE CODE: 00779
 DRAWING NO: C=2110819

RESTRICTED TO: -

MATERIAL: ⚠
 FINISH: ⚠

Customer Drawing SCALE: 10:1 SHEET 1 OF 2 REV: F2

LOC	DIST	REVISIONS			
P	LTN	DESCRIPTION	DATE	DMN	APVD
-	-	SEE SHEET 1	-	-	-



SCALE 20:1

THIS DRAWING IS A CONTROLLED DOCUMENT.		DMN C. VALENTINE 2/OCT2009	TE Connectivity
DIMENSIONS: mm		CHK J. PETERSON 2/OCT2009	
TOLERANCES UNLESS OTHERWISE SPECIFIED:		APVD J. PETERSON 2/OCT2009	NAME QSPF+ ENHANCED EVERCLEAR, PT CONNECTOR, RIGHT ANGLE PRODUCT SPEC 108-2425 APPLICATION SPEC 114-13221 WEIGHT Customer Drawing
0 PLC ±	1 PLC ±0.1	SIZE A1	
2 PLC ±0.1	3 PLC ±	CAGE CODE 00779	
4 PLC ±	ANGLES ±	DRAWING NO. C=2110819	
MATERIAL	FINISH	RESTRICTED TO	SCALE 10:1 SHEET 2 OF 2 REV F2