

THIS DRAWING IS UNPUBLISHED. RELEASED FOR PUBLICATION 20  
 © COPYRIGHT 20 BY TYCO ELECTRONICS CORPORATION. ALL RIGHTS RESERVED.

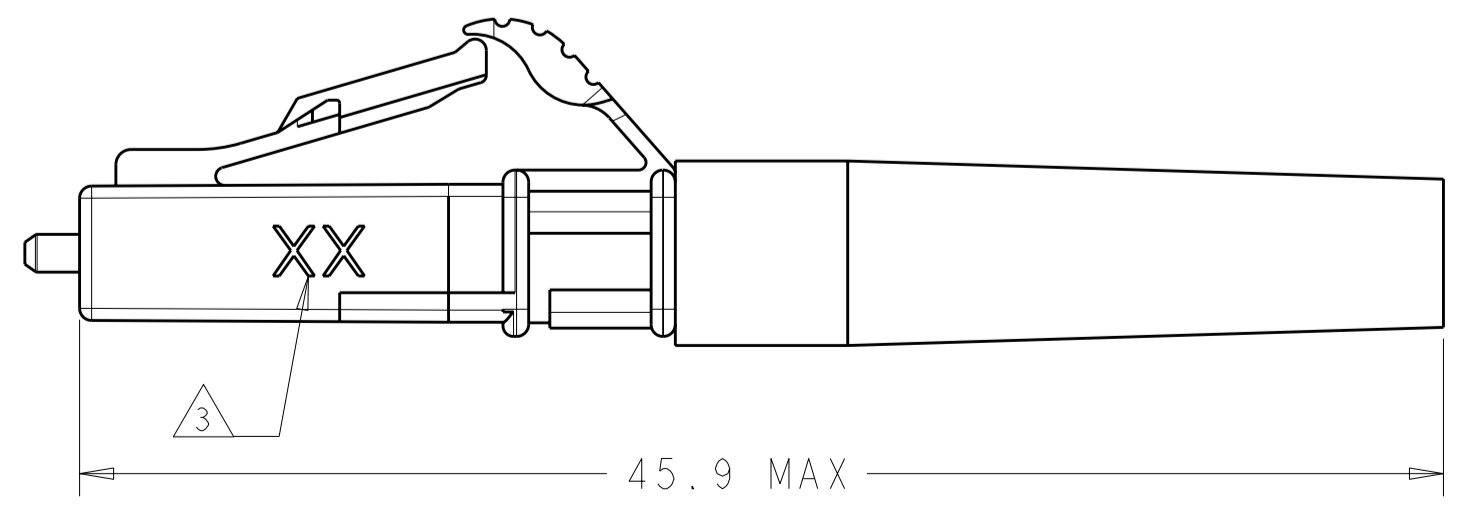
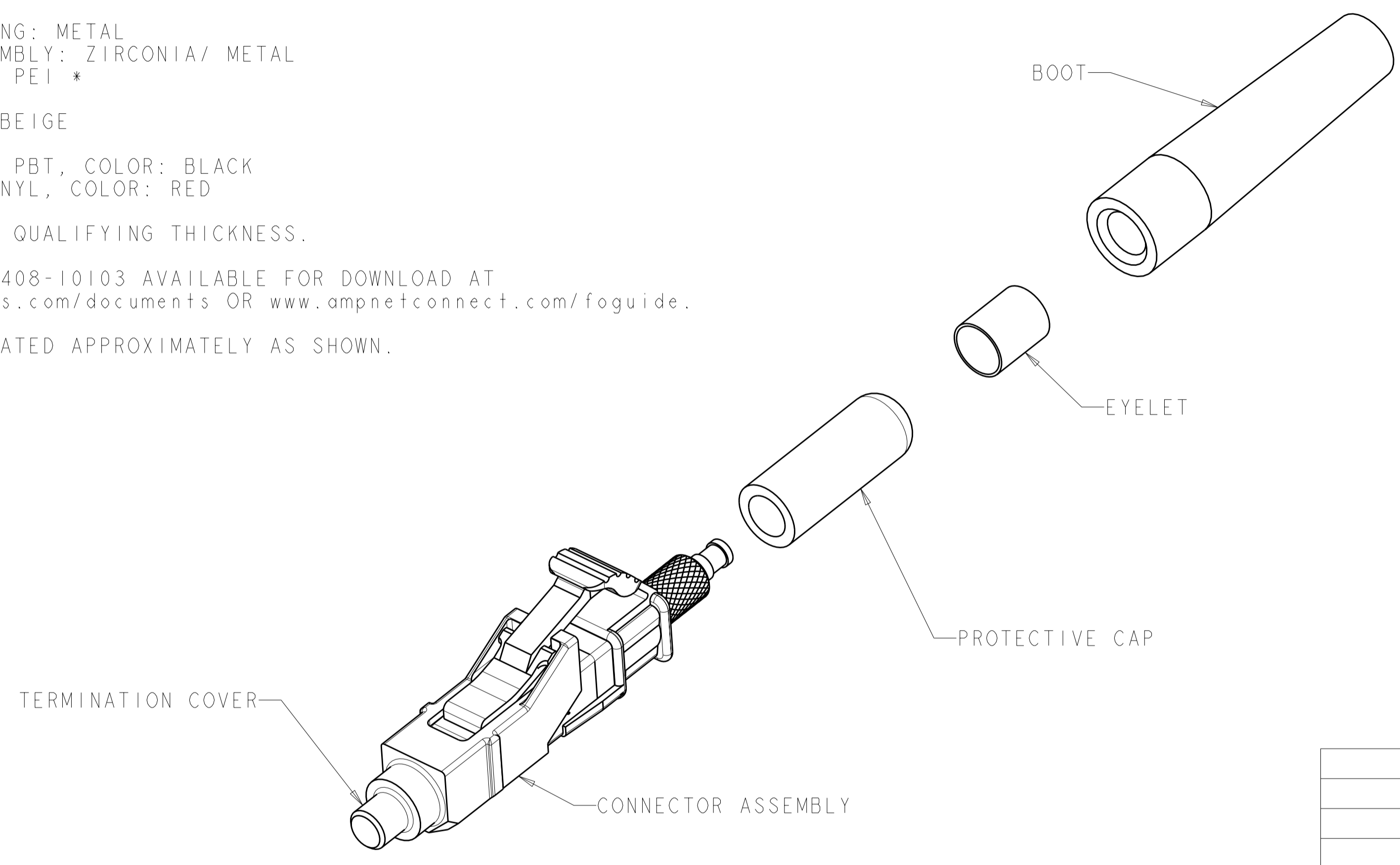
LOC	DIST	REVISIONS			
P	LTR	DESCRIPTION	DATE	DWN	APVD
CE	00				
	C	ECR-08-031868	30DEC2008	KG	SB
	CI	REVISE NOTE 2	16MAR2009	BB	SB

- 1 MATERIAL:  
 CONNECTOR ASSEMBLY:  
 CONNECTOR HOUSING: PPSU, COLOR: SEE -NO'S.\*  
 REAR BODY: METAL  
 COMPRESSION SPRING: METAL  
 FERRULE SUB ASSEMBLY: ZIRCONIA/ METAL  
 INTERNAL SPLICE: PEI \*  
 PLUNGER: METAL  
 BOOT: TPE, COLOR: BEIGE  
 BUILD-UP TUBE: TPE  
 TERMINATION COVER: PBT, COLOR: BLACK  
 PROTECTIVE CAP: VINYL, COLOR: RED

\*UL94 V-0 RATED AT QUALIFYING THICKNESS.

2. INSTRUCTION SHEET: 408-10103 AVAILABLE FOR DOWNLOAD AT  
[www.tycoelectronics.com/documents](http://www.tycoelectronics.com/documents) OR [www.ampnetconnect.com/foguide](http://www.ampnetconnect.com/foguide).

3 MARK WITH "62", LOCATED APPROXIMATELY AS SHOWN.



SLATE	1-1828859-0
ORANGE	1828859-9
VIOLET	1828859-8
BROWN	1828859-7
AQUA	1828859-6
ROSE	1828859-5
BLUE	1828859-4
GREEN	1828859-3
YELLOW	1828859-2
RED	1828859-1
KEYED HOUSING COLOR	PART NO.

THIS DRAWING IS A CONTROLLED DOCUMENT FOR TYCO ELECTRONICS CORPORATION. IT IS SUBJECT TO CHANGE AND THE CONTROLLING ENGINEERING ORGANIZATION SHOULD BE CONTACTED FOR THE LATEST REVISION.

DWN	E. MCCORMICK	16MAR2007	Tyco Electronics Harrisburg, PA 17105-3608
CHK	D. ERDMAN	16MAR2007	
APVD	D. BAECHTLE	16MAR2007	
PRODUCT SPEC			
APPLICATION SPEC			NAME KIT, CONNECTOR, LightCrimp Plus LC SECURE, SIMPLEX, MM62.5, 1.6-2.0mm JACKET
WEIGHT	-		SIZE A2
CUSTOMER DRAWING			CAGE CODE 00779
			DRAWING NO 1828859
			RESTRICTED TO -
			SCALE 4:1
			SHEET 1
			OF 1
			REV C1