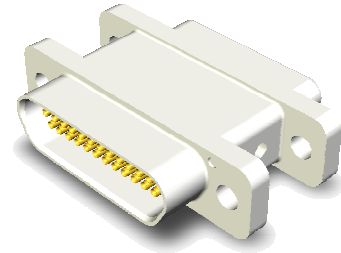


### Features/Benefits

- **Compliant with ESA/ESCC specifications**
- **Same Savers Connectors for MDM and MDMA Connectors**
- **All size available from 9 to 51 ways**
- **Moisture and humidity seal between contacts and between contacts and shell, provided by compression interfacial seal.**



### Typical Applications

- **Payload and harnesses testings**
- **To be used when multiple mating/unmating cycles have to be managed**

### Specification

Compliant to ESA/ESCC specifications 3401/041  
 Compatible with MDM Connectors ESCC 3401/029, MDMA Connectors 3401/077 and Accessories 3401/032.  
 Pin and Sockets arrangements available.  
 Sizes available: 9, 15, 21, 25, 31, 37 and 51 ways.  
 Twist pin contact technology.

### Quality Level

ESA / ESCC: code 3401

### Packaging

- Individual packaging and traceability associated as per ESA/ESCC specifications.
- Each Saver connector is sold in individual plastic bag.

### Electrical & Mechanical Characteristics

CHARACTERISTIC	SPECIFICATION
Working Voltage (sea level)	150 Vrms
Rated Current	2.5 A
Contact Resistance	10 mΩ (rated current)
Insulation Resistance	5000 MΩ min
Voltage Proof	600 Vrms / 2.0 mA (leakage current)
Temperature range	-55°C / +125°C

Shell Type	Mating force	Weight Max.
9	20 N max	4.0 g
15	33 N max	5.5 g
21	47 N max	7.0 g
25	55 N max	8.0 g
31	69 N max	9.5 g
37	82 N max	10.0 g
51	113 N max	13.5 g

## How To Order Saver

For any part number different from those listed above, please consult your local C&K components representative.

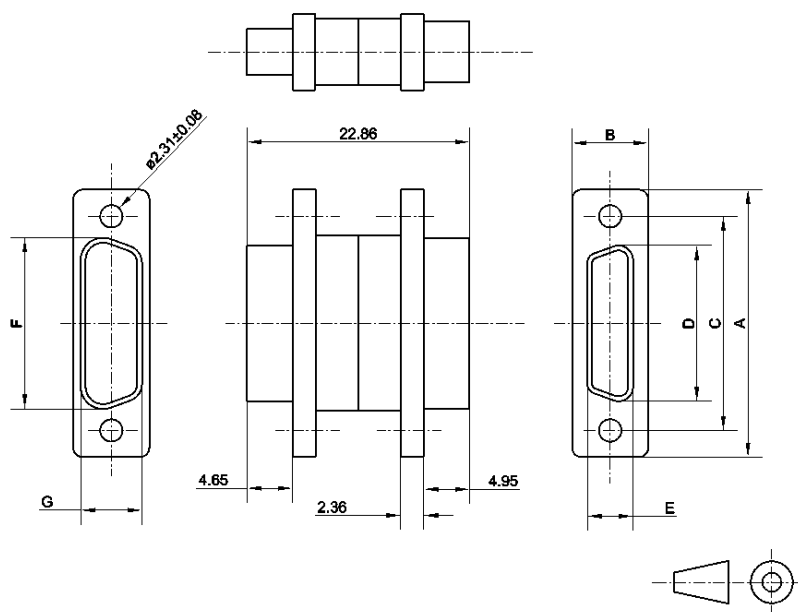
Shell	ESA/ESCC Quality level		FR022 Quality level	
	P/N	Description	P/N	Description
9	C115366-9842C	340104101B 9PS	C115288-8141	MDM-115288-8141-A174-FR022
15	C115366-9843C	340104102B 15PS	C115288-8142	MDM-115288-8142-A174-FR022
21	C115366-9844C	340104103B 21PS	C115288-8143	MDM-115288-8143-A174-FR022
25	C115366-9845C	340104104B 25PS	C115288-8144	MDM-115288-8144-A174-FR022
31	C115366-9846C	340104105B 31PS	C115288-8145	MDM-115288-8145-A174-FR022
37	C115366-9847C	340104106B 37PS	C115288-8146	MDM-115288-8146-A174-FR022
51	C115366-9848C	340104107B 51PS	C115288-8147	MDM-115288-8147-A174-FR022

**Note:** Supplied only with shell finish A174 (Electroless Nickel).

## Materials & Finishes

COMPONENT	MATERIAL	FINISH
Shell	Aluminium alloy	<b>A174</b> : 25.4 µm electroless Nickel over Copper underlay
Insulator	Liquid Crystal Polymer	UL 94-V0, Glass-filled, Black Color
Female Contacts	Copper Alloy	1.27 µm (50 µin) Gold over Copper underlay
Male Contacts	Copper Alloy	1.27 µm (50 µin) Gold over Copper underlay
Encapsulant	Epoxy	Black color

## Savers Dimensions



Shell Size	A (mm) Max	B (mm) Max	C (mm) $\pm 0.13$	D (mm) Max	E (mm) Max	F (mm) Max	G (mm) Max
<b>9</b>	19.94	7.75	14.35	8.46	4.65	10.16	6.38
<b>15</b>	23.75	7.75	18.16	12.27	4.65	13.97	6.38
<b>21</b>	27.56	7.75	21.97	16.08	4.65	17.78	6.38
<b>25</b>	30.10	7.75	24.51	18.62	4.65	20.32	6.38
<b>31</b>	33.91	7.75	28.32	22.43	4.65	24.13	6.38
<b>37</b>	37.72	7.75	32.13	26.24	4.65	27.94	6.38
<b>51</b>	36.45	8.85	30.86	24.97	5.74	26.67	7.47