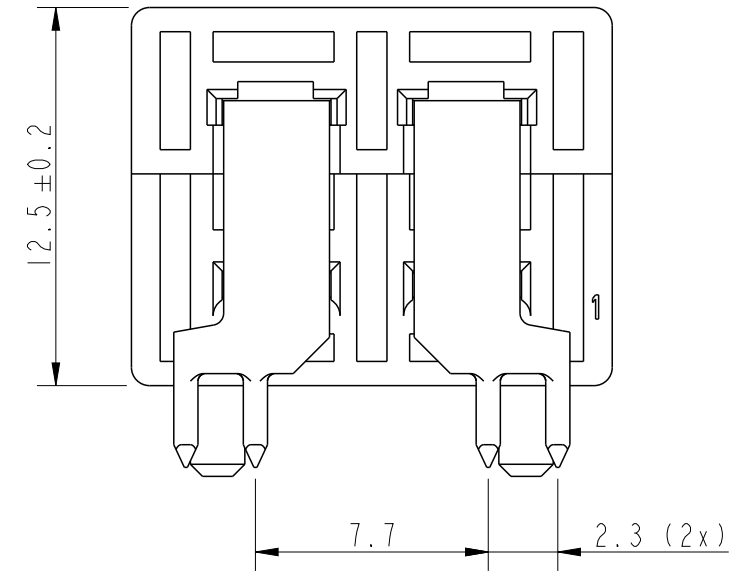
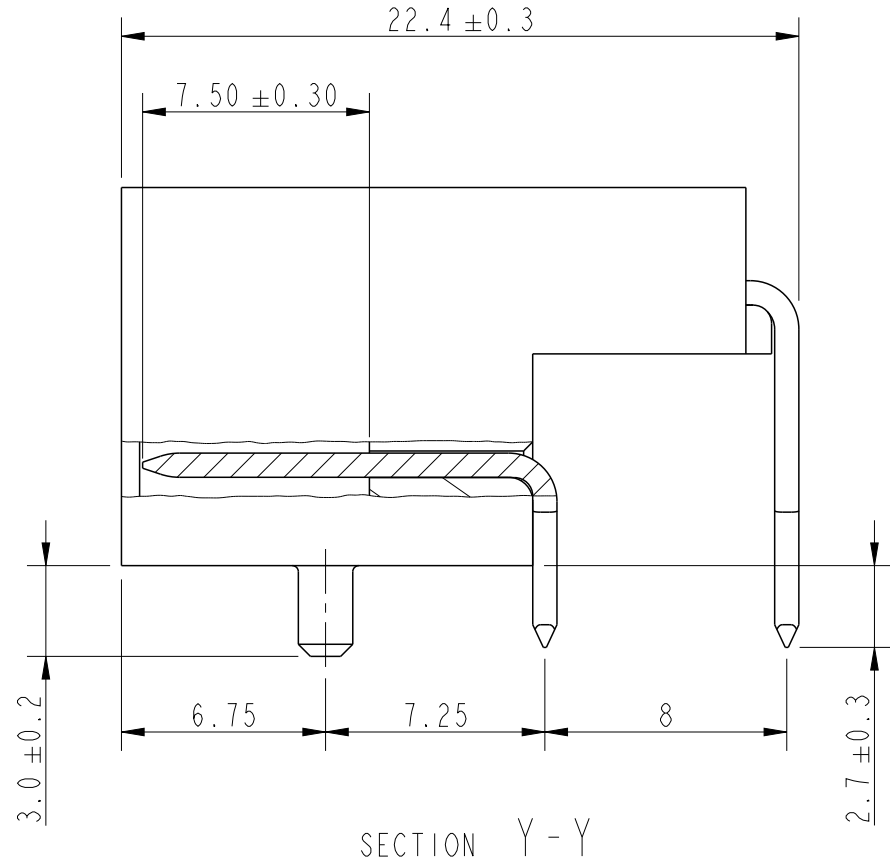
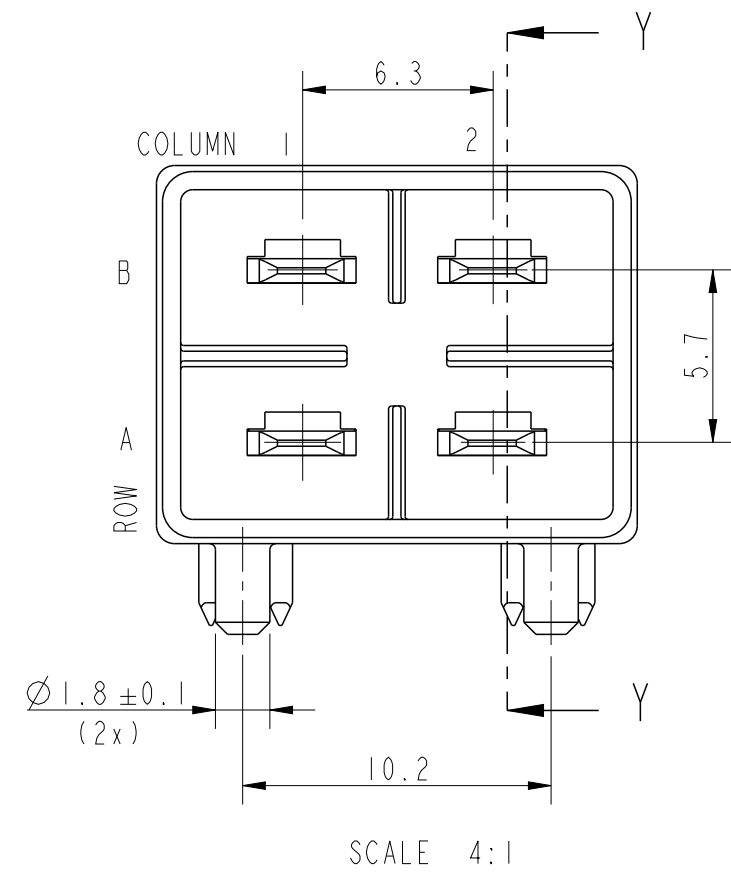


PRODUCT NUMBER
SEE TABLE ON THIS PAGE



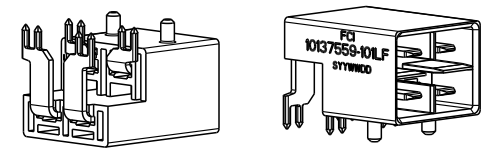
PART NO.	ROW	COLUMN	
		1	2
10137559-101LF	B	X	X
	A	X	X
10137559-102LF	B	X	-
	A	X	X
10137559-103LF	B	-	X
	A	X	X

'X' INDICATES CONTACT LOADING POSITION



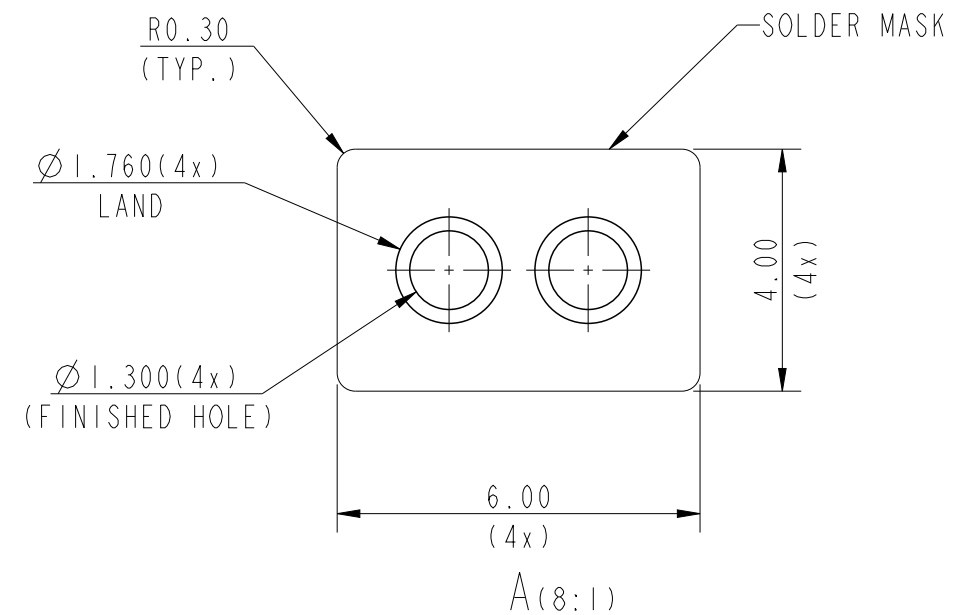
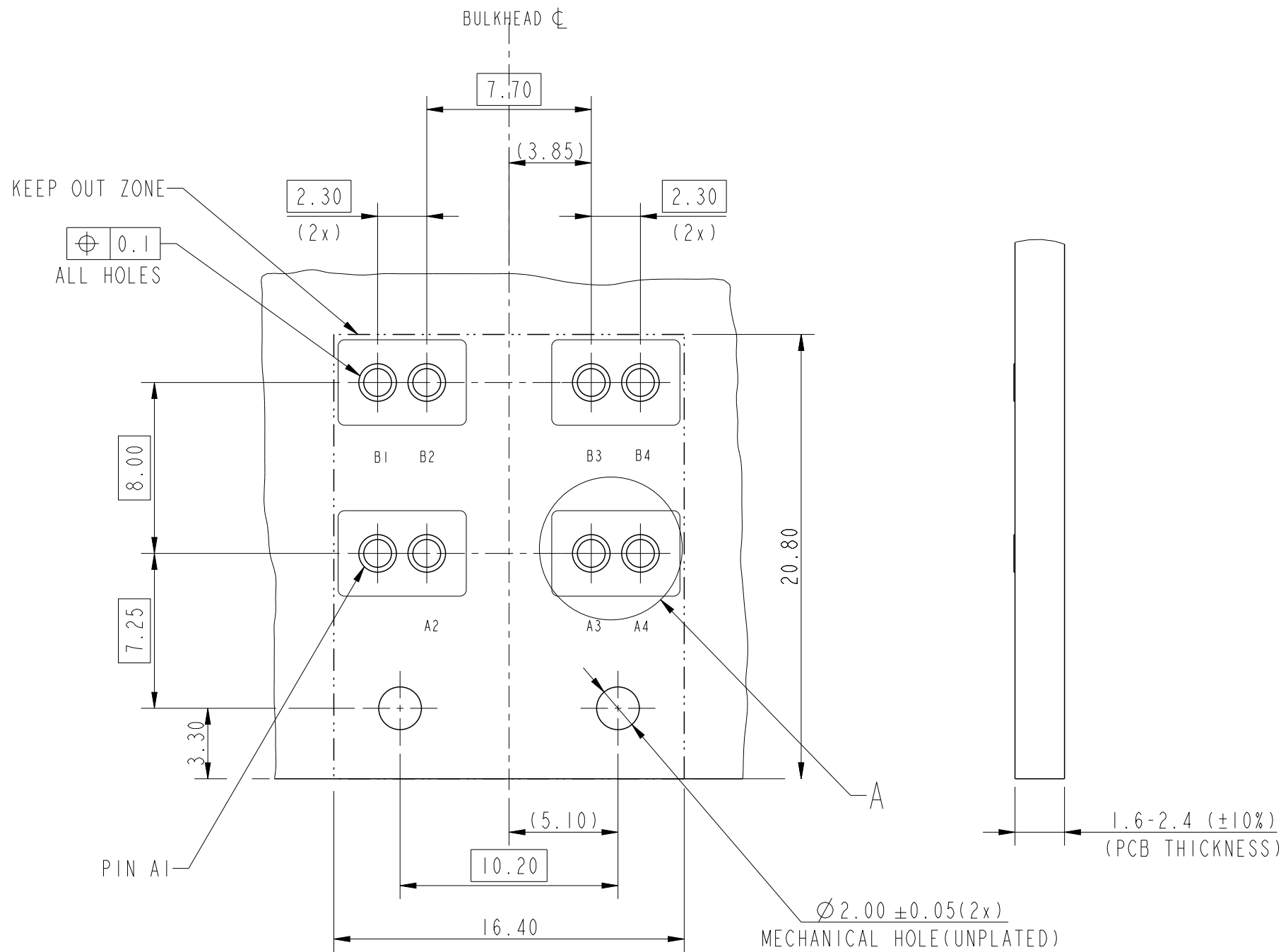
Amphenol
FCi

© 2016 AFCI



spec ref	-	dr	Jibin John	2016/11/04	projection	mm	size	A3	scale	2:1
tolerance std	ISO 406 ISO 1101	eng	Varghese, Bone	2018/05/07			ecn no	ELX-I-30092-1		
TOLERANCES UNLESS OTHERWISE SPECIFIED		chr	-	-			product family	OCTIS	rel level	Released
surface	linear	0.X	±0.3	Amphenol FCi	POWER RIGHT ANGLE 2X2 BOARD CONNECTOR WITH PIP TERMINATION		dwg no 10137559	rev E		
		0.XX	±0.13							
	angular	0°	±2°		cat. no.	-	Product - Customer Drw	sheet 1 of 4		

VIEW FROM COMPONENT SIDE



NOTES:

- MATERIAL :
- RESIN - LCP, GLASS FILLED, FLAME RETARDANT ACC
FLAMMABILITY CLASSIFICATION - UL94-V0
- POWER CONTACTS - COPPER ALLOY
- PLATING :
- PURE TIN ON POWER CONTACTS
- PRODUCT SPECIFICATION: GS-12-1413 & GS-12-1339
- APPLICATION SPECIFICATION: GS-20-0454
- PACKAGING - TAPE & REEL
- UNDER PLATING FOR CONTACTS IS 1.27µm NICKEL.
- PRODUCT WILL WITHSTAND EXPOSURE TO 260° FOR 60 SECONDS IN A CONVECTION, INFRA RED OR VAPOUR PHASE REFLOW OVEN
- PRODUCT WHERE THE PARTNUMBER ENDS IN LF MEETS EUROPEAN DIRECTIVES AND OTHER COUNTRY REGULATIONS AS DESCRIBED IN GS-47-0004.

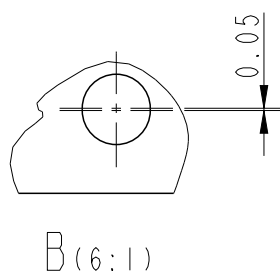
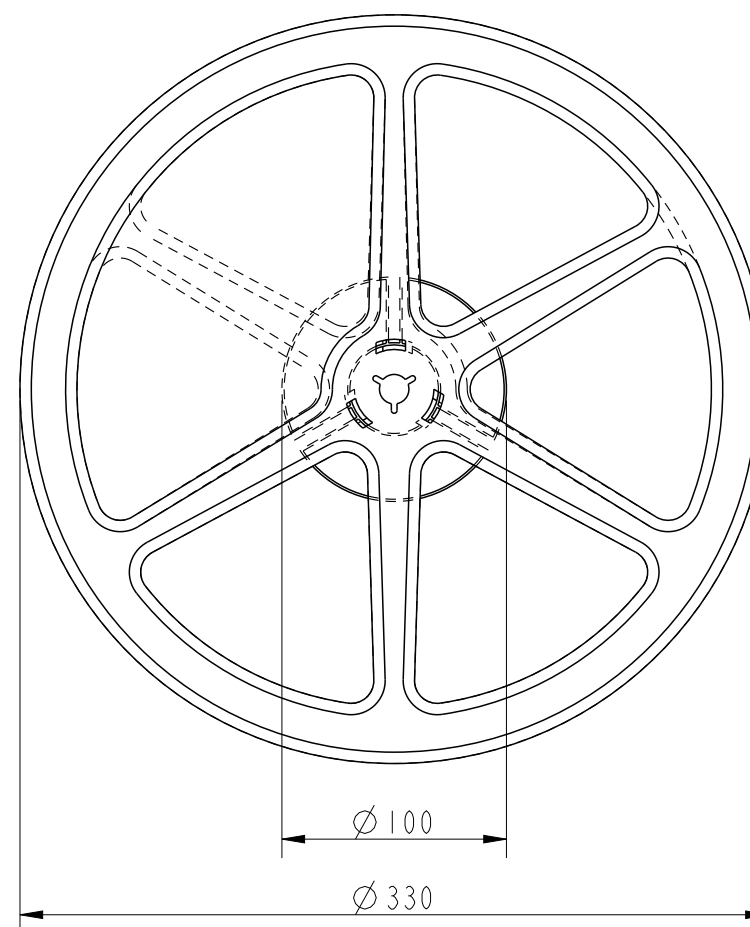
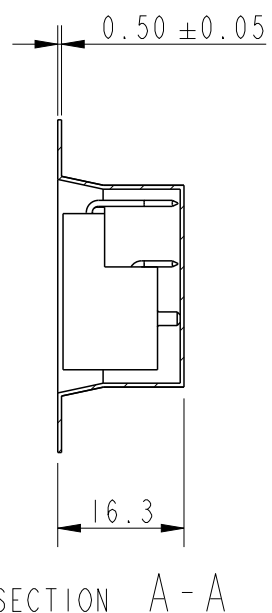
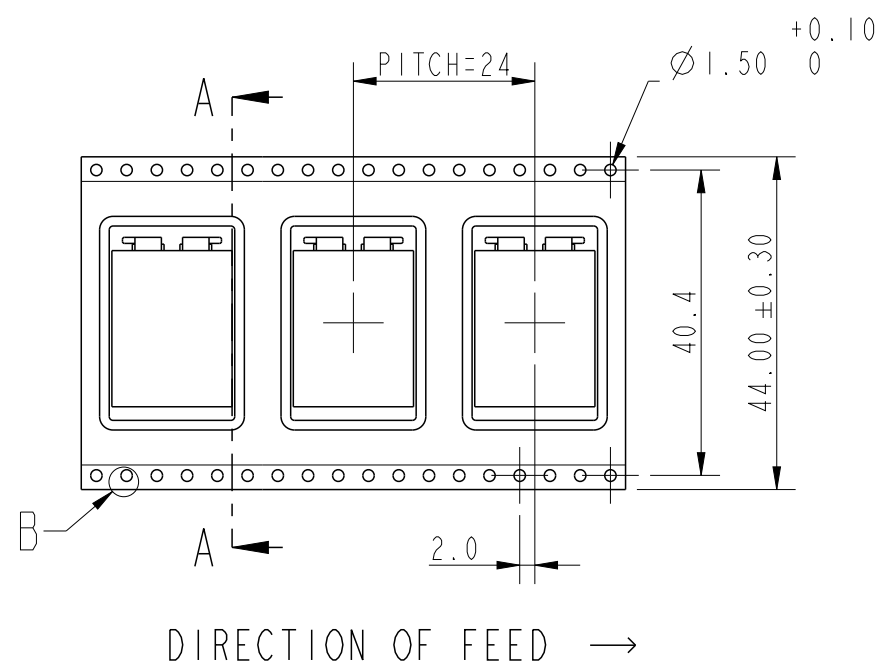
SCALE 4:1

NOTE: ABOVE PCB IS FOR P/N 10137559-101LF
FOR 10137559-102LF, REMOVE THE HOLES B3, B4
FOR 10137559-103LF, REMOVE THE HOLES B1, B2

POWER PTH DETAILS	
DRILLED HOLE	1.37-1.42mm
COPPER PLATING	25-50µm
TIN PLATING	0.8-1.2µm
FINISHED HOLE DIA	1.25-1.35mm

spec ref	-	dr	Jibin John	2016/11/04	projection	mm	size	A3	scale	2:1
tolerance std	ISO 406 ISO 1101	eng	Varghese, Bone	2018/05/07			ecn no	ELX-I-30092-1	rel level	Released
TOLERANCES UNLESS OTHERWISE SPECIFIED		chr	-	2018/05/07			product family	OCTIS		
surface	linear	0.X	±0.3		POWER RIGHT ANGLE 2X2 BOARD CONNECTOR WITH PIP TERMINATION		dwg no	10137559	rev	E
		0.XX	±0.13		cat. no.	-	Product - Customer Drw	sheet 2 of 4		
	angular	0°	±2°							

PACKAGING SPECIFICATION



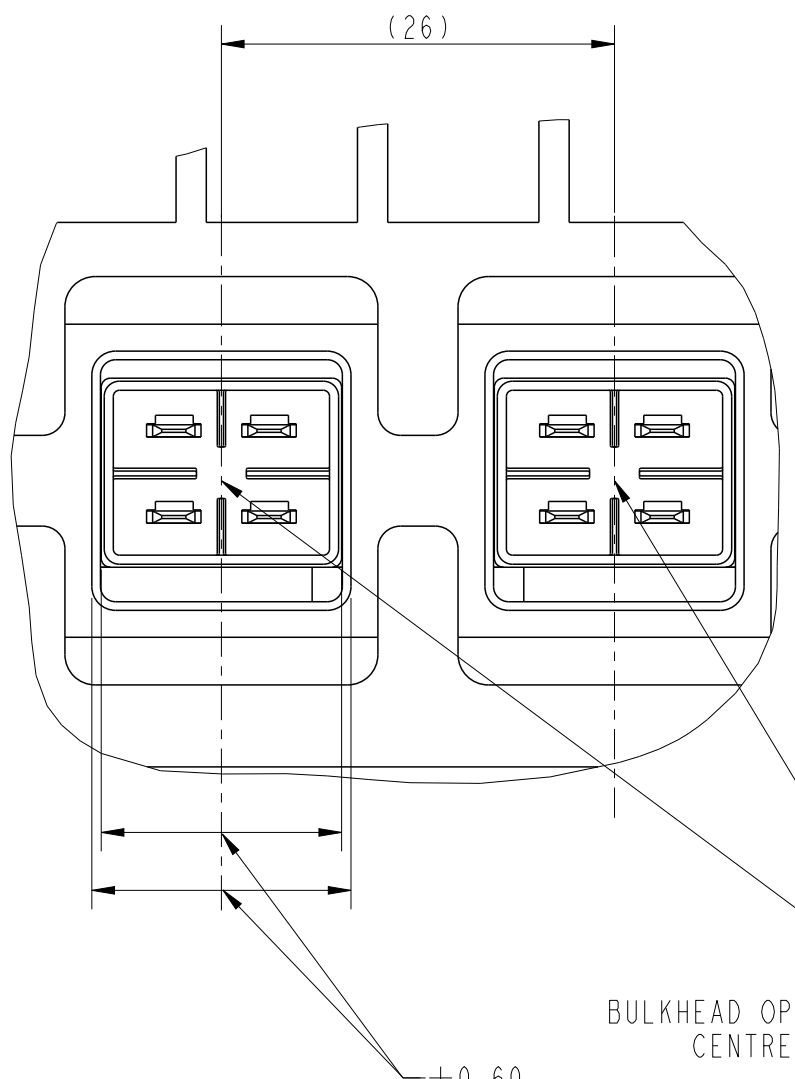
TAPE & REEL PACKING DETAILS

NOTES:

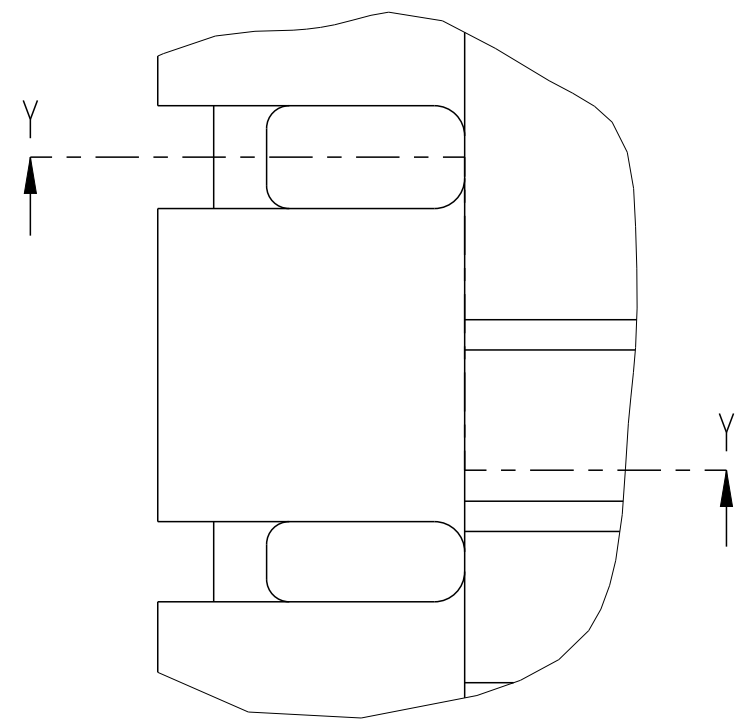
1. PACKAGING DETAILS AS PER EIA-481 STD.
2. PACKING SHOULD BE ANTISTATIC.
3. MATERIAL :
CARRIER TAPE : POLYSTYRENE
COVER TAPE : POLYSTYRENE

spec ref	-			dr	Jibin John	2016/11/04	projection	mm	size	A3	scale	2:1	
tolerance std	TOLERANCES UNLESS OTHERWISE SPECIFIED			eng	Varghese, Bone	2018/05/07			ecn no		ELX-I-30092-1		
ISO 406				chr	-	product family			OCTIS	rel level		Released	
ISO 1101				appr	K-Paul Biju	2018/05/07	POWER RIGHT ANGLE 2X2 BOARD CONNECTOR		dwg no		10137559	rev	E
surface	linear	0.X	±0.3				WITH PIP TERMINATION		cat. no.		-	Product - Customer Drw	sheet 3 of 4
ISO 1302	angular	0°	±2°				Product - Customer Drw		STATUS:Released	Printed: May 08, 2018			

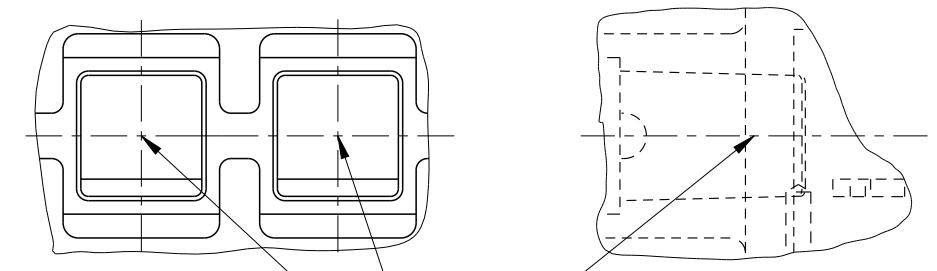
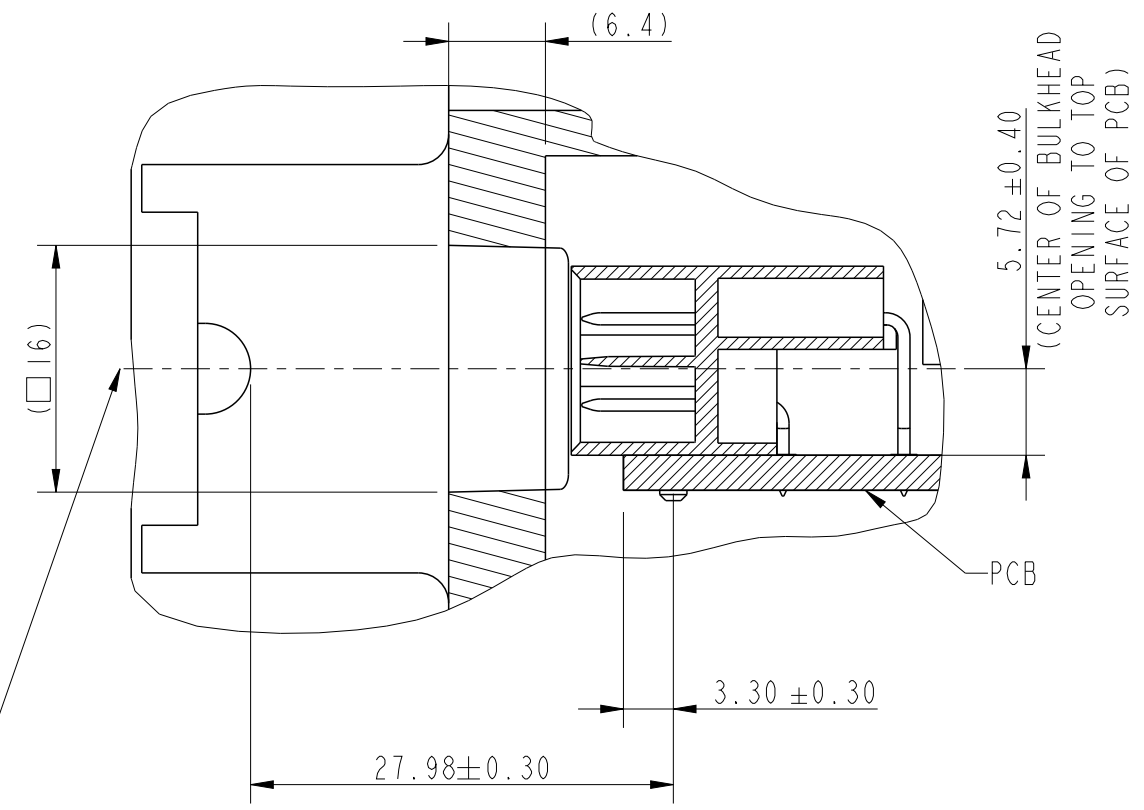
BOARD CONNECTOR
WITH BULKHEAD



±0.60
CENTERING OF THE BOARD
CONNECTOR WITH BULKHEAD
CAVITY



SECTION Y-Y



BULKHEAD OPENING

spec ref	-	dr	Jibin John	2016/11/04	projection	mm	size	A3	scale	2:1
tolerance std	ISO 406 ISO 1101	eng	Varghese, Bone	2018/05/07			ecn no	ELX-I-30092-1		
TOLERANCES UNLESS OTHERWISE SPECIFIED		chr	-	2018/05/07			product family	OCTIS	rel level	Released
surface	linear	0.X	±0.3	Amphenol FCi	POWER RIGHT ANGLE 2X2 BOARD CONNECTOR WITH PIP TERMINATION		rel level	Released		
		0.XX	±0.13				cat. no.	-	Product - Customer Drw	sheet 4 of 4
	angular	0°	±2°				dwg no	10137559	rev	E