

Customer Information Sheet

DRAWING No.: KF-430XX06

SHEET 2 OF 2

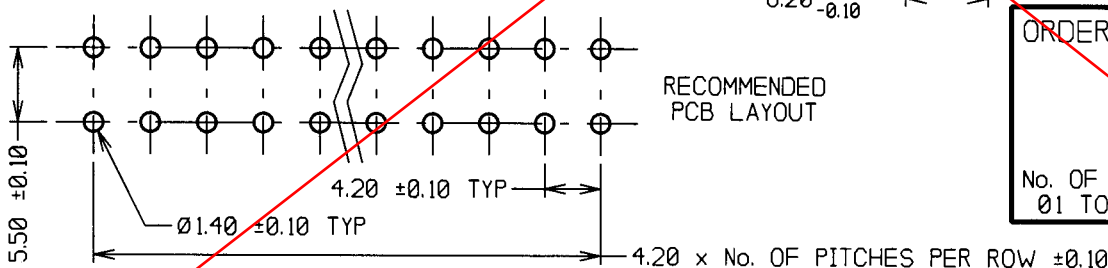
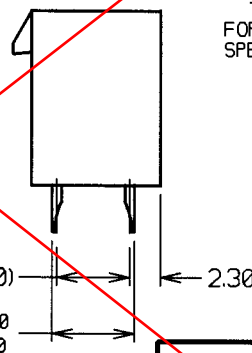
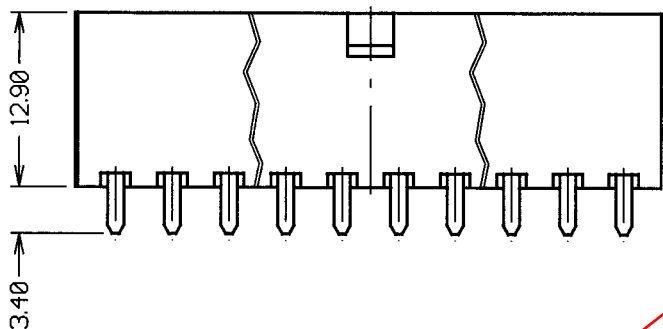
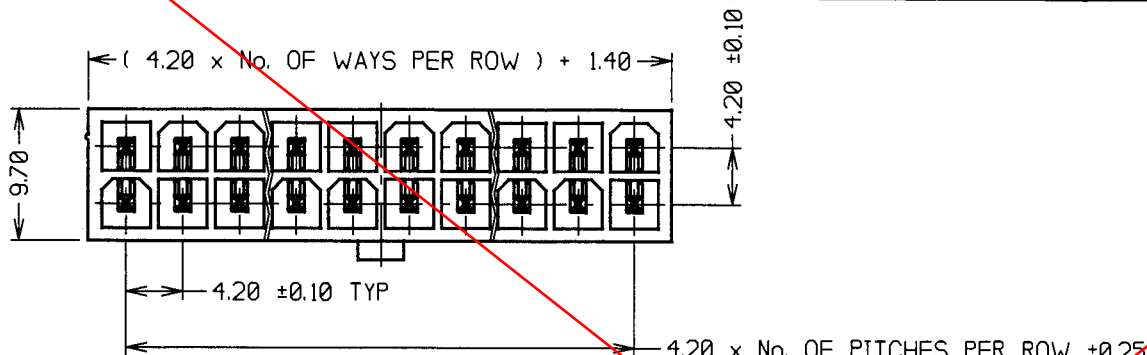
IF IN DOUBT - ASK

©

NOT TO SCALE

THIRD ANGLE PROJECTION

ALL DIMENSIONS IN mm



SPECIFICATIONS:

MATERIALS:

MOULDINGS:

KF-430XX06 - NYLON 66 UL94V-2 BLACK

KF-N430XX06 - NYLON 66 UL94V-2 NATURAL

CONTACTS - BRASS

FINISH:

CONTACTS - 0.5µ NICKEL, 2.0µ TIN

ELECTRICAL:

No. OF CONTACTS	2-3	4-6	7-10	11-24
CURRENT RATING	9 AMPS	8 AMPS	7 AMPS	6 AMPS

VOLTAGE RATING - 600V

DIELECTRIC WITHSTANDING - 1500V AC

CONTACT RESISTANCE - 10 MILLIOHMS MAX

INSULATION RESISTANCE - 1000 MEGOHMS MIN

MECHANICAL:

DURABILITY - 30 OPERATIONS

ENVIRONMENTAL:

TEMPERATURE RANGE - -40°C TO +105°C

FOR COMPLETE SPECIFICATION, SEE COMPONENT SPECIFICATION C033XX (LATEST ISSUE).

OBSOLETE

ORDER CODE:
 KF-430XX06
 KF-N430XX06
 No. OF WAYS: _____
 01 TO 12

4	01.11.99	1968
ISS.	DATE	C/NOTE
APPROVED:	<i>[Signature]</i>	
CHECKED:	<i>[Signature]</i>	
DRAWN:	✓ KEIR	
CUSTOMER REF.:		
ASSEMBLY DRG:		

NOTES:

1. ALL TOLERANCES TO BE ±0.35 UNLESS OTHERWISE STATED.

HARWIN

HARWIN INC
 U.S.A.
 TEL: (812) 285 0055
 FAX: (812) 285 0056

HARWIN PLC
 UK.
 TEL: 023 9231 4545
 FAX: 023 9231 4590

HARWIN PTE
 SINGAPORE
 TEL: 65 7794909
 FAX: 65 7793868

THIS DRAWING AND ANY INFORMATION OR DESCRIPTIVE MATTER SET OUT HEREON ARE CONFIDENTIAL AND COPYRIGHT PROPERTY OF THE HARWIN GROUP AND MUST NOT BE DISCLOSED, LOANED, COPIED OR USED FOR MANUFACTURING, TENDERING OR FOR ANY OTHER PURPOSE WITHOUT THEIR WRITTEN PERMISSION.

TOLERANCES
 X. - ±1mm
 X.X - ±0.25mm
 X.XX - ±0.10mm
 X.XXX - ±0.01mm
 ANGLES - ±1°
 UNLESS STATED

MATERIAL:
 SEE ABOVE
FINISH: SEE ABOVE
S/AREA: mm²

TITLE: POWERFIT®
 4.2mm PITCH DIL MALE
 VERTICAL CONNECTOR
DRAWING NUMBER:
 KF-430XX06

SHT
 2
 OF
 2

Customer Information Sheet

DRAWING No.: KF-N430XX46

SHEET 2 OF 2

IF IN DOUBT - ASK

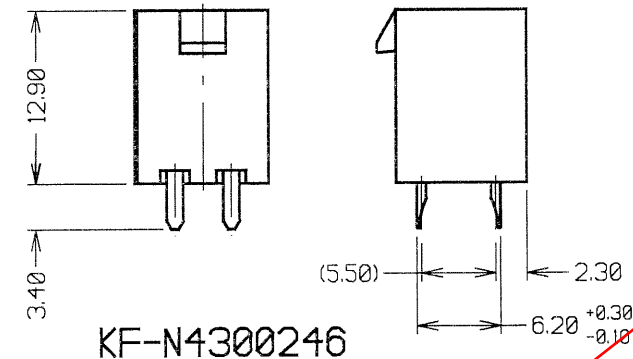
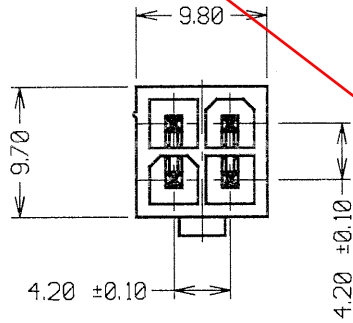
©

NOT TO SCALE

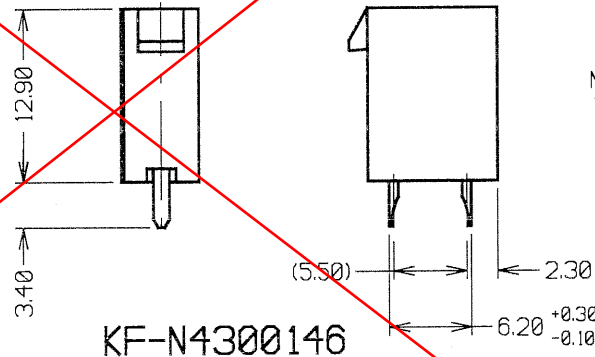
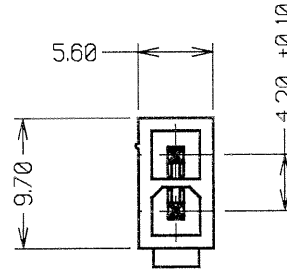
THIRD ANGLE PROJECTION

ALL DIMENSIONS IN mm

OBSOLETE



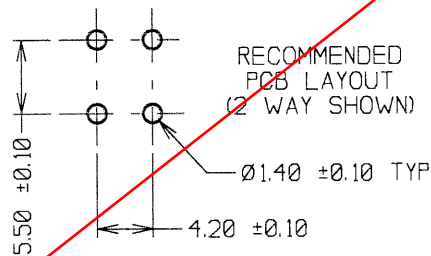
KF-N4300246



KF-N4300146

SPECIFICATIONS:
MATERIALS:
 MOULDING = NYLON 66 UL94V-2 NATURAL
 CONTACTS = BRASS
FINISH:
 CONTACTS = 20µ 100% TIN OVER 0.5µ NICKEL.
ELECTRICAL:
 CURRENT RATING: (1 WAY) = 9 AMPS
 CURRENT RATING: (2 WAY) = 8 AMPS
 VOLTAGE RATING = 600V
 DIELECTRIC WITHSTANDING = 1500V AC
 CONTACT RESISTANCE = 10 MILLIOHMS MAX
 INSULATION RESISTANCE = 1000 MEGOHMS MIN
MECHANICAL:
 DURABILITY = 30 OPERATIONS
ENVIRONMENTAL:
 TEMPERATURE RANGE = -40°C TO +105°C
 FOR COMPLETE SPECIFICATION, SEE COMPONENT SPECIFICATION C033XX (LATEST ISSUE).

NOTES:
 1. ALL TOLERANCES ARE ±0.35 UNLESS OTHERWISE STATED.



RECOMMENDED
 PCB LAYOUT
 (2 WAY SHOWN)

Ø1.40 ± 0.10 TYP

ORDER CODE:

KF-N430XX46

No. OF WAYS: _____
 01 & 02

JMB	1	24.03.06	9114
NAME	ISS.	DATE	C/NOTE
APPROVED:	<i>[Signature]</i>		
CHECKED:	<i>[Signature]</i>		
DRAWN:	JM BROOKES		
CUSTOMER REF.:			
ASSEMBLY DRG:			

HARWIN

HARWIN USA TEL: 603 893 5376 FAX: 603 893 5396 mis@harwin.com
 HARWIN Europe (UK) TEL: 023 9231 4545 FAX: 023 9231 4590 mis@harwin.co.uk
 HARWIN Asia TEL: +65 6 779 4909 FAX: +65 6 779 3868 mis@harwin.com.sg

THIS DRAWING AND ANY INFORMATION OR DESCRIPTIVE MATTER SET OUT HEREON ARE CONFIDENTIAL AND COPYRIGHT PROPERTY OF THE HARWIN GROUP AND MUST NOT BE DISCLOSED, LOANED, COPIED OR USED FOR MANUFACTURING, TENDERING OR FOR ANY OTHER PURPOSE WITHOUT THEIR WRITTEN PERMISSION.

TOLERANCES
 X. = ±1mm
 X.X = ±0.25mm
 X.XX = ±0.10mm
 X.XXX = ±0.01mm
 ANGLES = ±5°
 UNLESS STATED

MATERIAL:

SEE ABOVE

FINISH: SEE ABOVE

S/AREA:

mm²

TITLE:

POWERFIT®
 4.2mm PITCH DIL MALE
 VERTICAL CONNECTOR

DRAWING NUMBER:

KF-N430XX46

SHT
 2
 OF
 2