

5

4

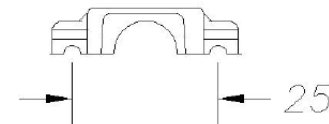
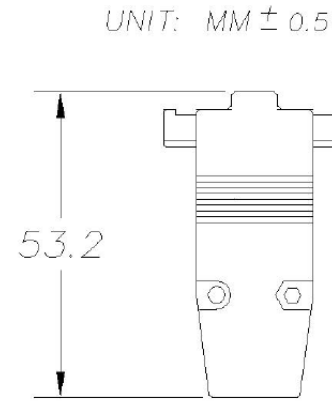
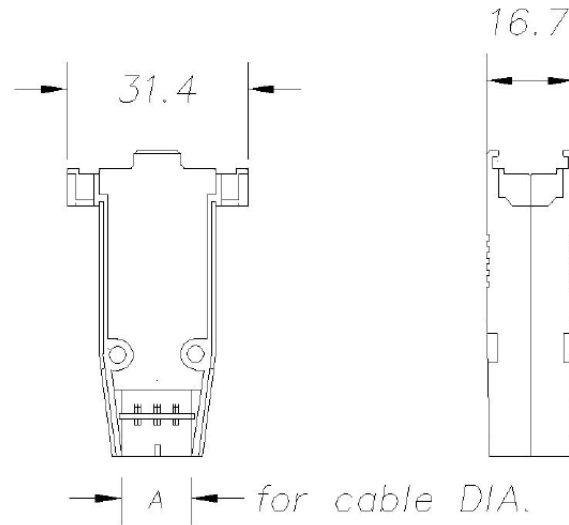
3

2

1

Description: D-Sub Hood, Shielded Heavy Duty Metal, 9 Pins
 Part No: 40-9709HMG

DRAWING NO. 40-9709HMG-CUST					
REVISIONS					
01	OFFICIAL RELEASE				
	12-19-12	G Z	M W	M L	ECO-12-0335



KEEP ON

A: 9, 10, 11, 12

DIM OUTLINE

TOLERANCE UNLESS OTHERWISE SPECIFIED		DRAWN BY GARY.ZHG	DATE 12-19-12
DECIMALS	mm	CHECKED BY MONICA.W	DATE 12-19-12
X.X	+ 0.2	APPROVED BY MA LIN	DATE 12-19-12
X.XX	+ 0.1	U/M	mm
X.XXX	+0.08		
ANGLES	+ 0.5°		



TITLE D-Sub Hood, Shielded Heavy Duty Metal, 9 Pins		
SHEET 1 OF 1	DRAWING NO. 40-9709HMG-CUST	SIZE A

THIS DRAWING WAS PRODUCED BY COMPUTER, DO NOT SCALE DRAWING OR UPDATE MANUALLY.

5

4

3

2

1